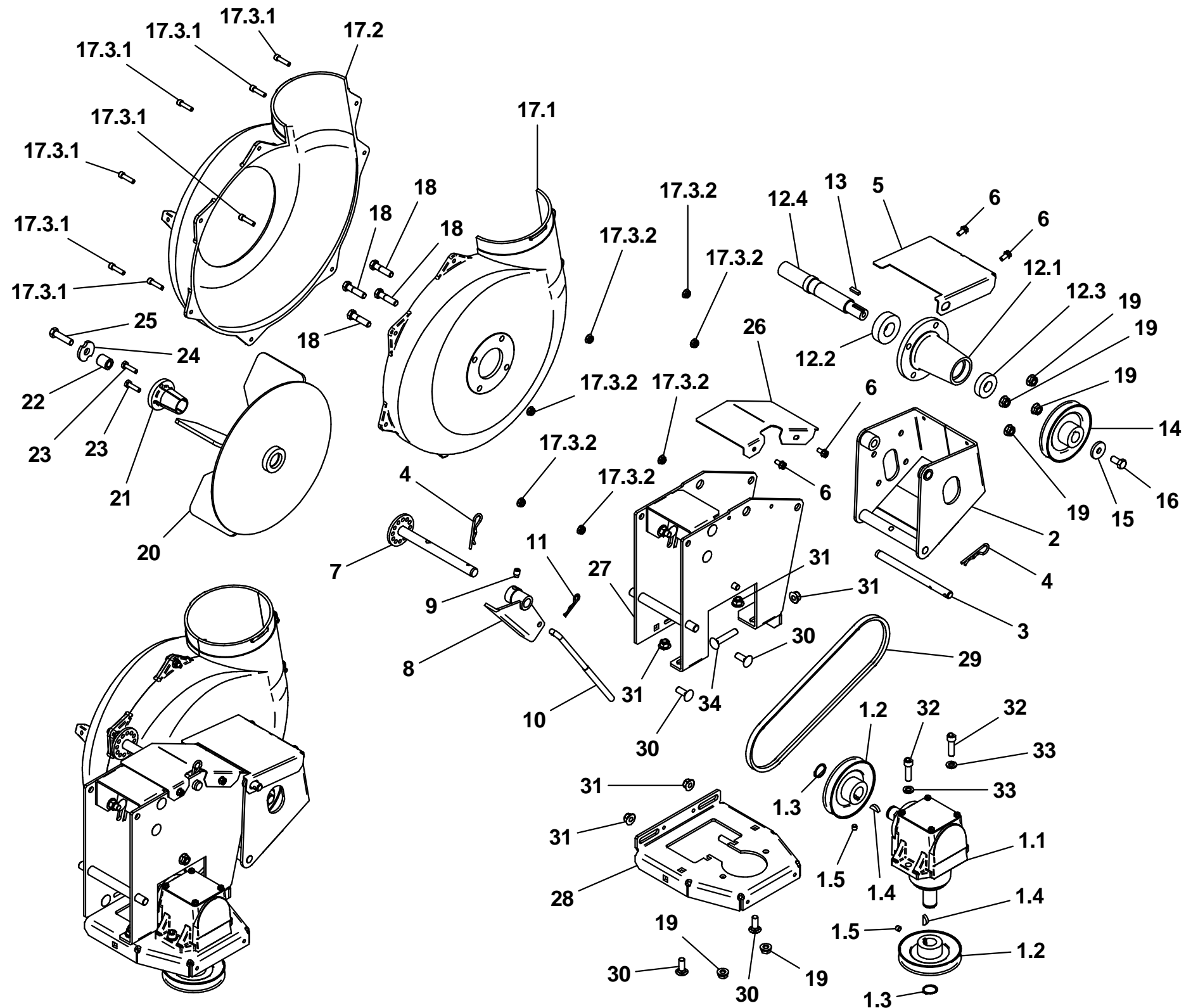


Item #	Part #	Desc.	Qty.
1	A0429	Gear Box Assy.	1
1.1	A0431	Gearbox	1
1.2	A0498	Pulley Assy. / Gear Box	2
1.3	K0360	Snap Ring / 7/8" Shaft	2
1.4	J0272	Woodruff Key #9	2
1.5	K0035	Set Screw 5/16"-18 x 1/4" Cup Point	2
2	A0144	Blower Mnt. Brkt. Assy.	1
3	B1755	BLOWER PIVOT ROD	1
4	K0086	Hair Pin Clip .125 OD x 2.50	2
5	B0121	Blower Belt Guard	1
6	K0353	HWHTCS 1/4"-20 x 1/2"	4
7	A0604	PTO HANDLE MOUNT ASSY	1
8	A0422	CAM BRACKET ASSEMBLY	1
9	K0356	3/8"-16 TAPERED SET SCREW	1
10	K0326	BELT TENSION ROD 3/8"-16	1
11	K0130	.091 OD x 1.625 L HAIR PIN CLIP	1
12	A0306	PTO Shaft Assy.	1
12.1	E0121	PTO Shaft Housing	1
12.2	N0147	Bearing (2.0472 OD, 0.9843 ID, 0.5906 W)	1
12.3	N0148	Bearing (1.625 OD, 0.750 ID, 0.4375 W)	1
12.4	B1758	PTO Shaft	1
13	J0254	Key / 3/16" x 3/16" x 3/4"	1
14	M0228	Pulley / Impeller Shaft	1
15	K1446	PTO Housing Washer	1
16	K1190	HHCS / 3/8"-16 x 3/4"	1
17	E4004A	BLOWER HSG. ASSY.	1
17.1	E4004B	BLOWER HSG. BACK	1
17.2	E4004F	BLOWER HSG. FRONT	1
17.3	HB0462	HW Bag / E4004A & E4052A Housings	1
17.3.1	K1401	1/4"-20 x 1" SHCS / Zinc / GR8	7
17.3.2	K1126	Flange Nut 1/4"-20	7
18	K1193	HHCS 3/8"-16 X 1-1/2" GR5	4
19	K1215	Flange Nut 3/8"-16	6
20	A0645	4-Blade Impeller Weldment	1
21	S4302	Taper-Lock Bushing / 1" Shaft	1
22	S3242	Spacer Bushing / .750 ID x .380 ID x .830 L	1
23	K1225	HHCS 1/4"-20 X 1" GR8	2
24	K0278	Double Indented Washer 7/16" / 1.375 OD x .440 ID x .179 T	1
25	K1211	3/8"-16 x 1-1/2" HHCS GR8	1
26	B0270	PTO Arm Guard	1
27	A1804_01	PTO Arm Assembly	1
28	A0624_01	Base Plate Assembly	1
29	M0250	A30K KEVLAR BELT	1
30	K1182	Carriage Bolt 3/8"-16 x 1"	4
31	K2038	Ny-Flange Lock Nut 3/8"-16	5
32	K0309	3/8"-16 x 1-1/4" SHCS	2
33	K0048	Lock Washer 3/8"	2
34	K1184	Carriage Bolt 3/8"-16 x 2"	1



Iso View

For Reference Only

#: A1941_01

Desc: PTO Assy / Generic

