



# ZT-3000

TRIM AND EDGE WITHOUT  
LEAVING YOUR SEAT



## OPERATOR'S MANUAL

Your new PECO Z-TRIMMER has been engineered and manufactured to PECO's high standards for safety, quality, dependability and ease of operations.

# SAFETY

## Safety Alert Symbol



This Safety Alert Symbol means: **“ATTENTION! BECOME ALERT! YOUR SAFETY IS INVOLVED!”**

This symbol is used to call attention to safety precautions that should be followed by the operator to avoid accidents. When you see this symbol, carefully read the message that follows and heed its advice. Failure to comply with safety precautions could result in death or serious bodily injury.

## Safety Signs

The signal words **DANGER**, **WARNING**, and **CAUTION** are used on the equipment safety signs. These words are intended to alert the viewer to the existence and the degree of hazard seriousness.



White letters on **RED**

This signal word indicates a potentially hazardous situation which, if not avoided, will result in death or serious injury.



Black letters on **ORANGE**

This signal word indicates a potentially hazardous situation which, if not avoided, could result in death or serious injury.

It may also be used to alert against unsafe practices.



Black letters on **YELLOW**

This signal word indicates a potentially hazardous situation exist which, if not avoided, will result in minor or moderate injury.

It may also be used to alert against unsafe practices.

## Safety

1. Read the operator's manual carefully and familiarize yourself with the proper use of your Z-Trimmer. Do not allow anyone who is not acquainted with the Safety Instructions to use your attachment.
2. Know the controls and how to stop the Z-Trimmer quickly. **READ THE OPERATOR'S MANUAL!**
3. Do not allow children to operate the Z-Trimmer. Do not allow adults to operate it without proper instruction.
4. Be especially watchful of children and pets darting into the area while operating.
5. Keep your eyes and mind on your surroundings while operating your attachment. Don't let others distract you.
6. Do not attempt to operate your Z-Trimmer when not in the driver's seat.
7. Always raise the Z-Trimmer and secure the latch hook when getting off of the mower.
8. Stop unit, shut off Z-Trimmer, set parking brake, shut off mower engine and detach battery cable before performing any maintenance on the Z-Trimmer.
9. Inspect your lawn and remove any foreign objects before trimming. Never deliberately run the Z-Trimmer across any foreign object.
12. Wear ear protection if the noise level is offensive.
13. Wear eye protection to prevent debris from damaging your eyes.

# PECO LIMITED WARRANTY FOR NEW PRODUCTS

## A. WHAT IS UNDER WARRANTY?

PECO extends the following warranties to the original purchaser of each new PECO consumer product subject to the following limitations.

- 1. PRODUCT WARRANTY:** Any part of any consumer product, which is defective in material or workmanship as delivered to the purchaser will be repaired or replaced, as PECO elects, without charge for parts or labor, if the defect appears within 12 months from the date of delivery of the product to the original purchaser. ALL DEFECTIVE PARTS MUST BE RETURNED TO PECO FOR INSPECTION TO DETERMINE VALIDITY OF WARRANTY CLAIMS. Freight and mailing will be borne by the customer.
- 2. PARTS REPLACED DURING WARRANTY:** Any new PECO part which is furnished in performance of this warranty and is defective in material or workmanship as delivered to the purchaser will be repaired or replaced, before the expiration of the original warranty period, whichever is later.
- 3. COMMERCIAL USE:** Products put to personal use around a single household or residence is considered 'Residential'; Products put to any business use (agricultural, commercial, or industrial) or used at multiple locations is considered 'Commercial.' Products designated as 'Commercial' are warrantied for 12 months from the date of delivery of the product to the original purchaser when used for in commercial applications. Products designated as 'Residential' are warrantied for 90 days from the date of delivery of the product to the original purchaser when in commercial applications.

## B. SECURING WARRANTY ADJUSTMENTS

Call PECO for Return Authorization. Damaged or broken parts other than engines or batteries, must be returned to New PECO, Inc. at 10 Walden Drive, Arden, NC 28704 before any warranty adjustment can be authorized. At the time of requesting warranty adjustment, the purchaser must present evidence of the date of delivery of the product. The purchaser shall pay any charge for the product to and from Arden, NC.

## C. ITEMS NOT COVERED BY PECO WARRANTY

Engines and batteries attached to PECO products are covered under a separate warranty by the respective manufacturer.

## D. UNAPPROVED ALTERATION OR MODIFICATION

All obligations of New PECO, Inc. under this warranty shall be terminated if products are altered or modified in ways not approved by New PECO, Inc.

## E. ACCIDENTS AND NORMAL MAINTENANCE

The warranty covers only defective material and workmanship. It does not cover depreciation or damage caused by normal wear, accident, improper use or abuse of products. The cost of normal maintenance and normal replacement of service items such as belts, cutting blades, hoses, etc., which are not defective shall be paid for by the purchaser.

## F. NO REPRESENTATIONS ADDITIONAL WARRANTIES, DISCLAIMER

Neither New PECO, Inc. nor any company affiliated with it makes any warranties, representations or promises as to the quality of performance of its products other than those set forth herein. Except as described above, New PECO, Inc. makes no other warranties AND SPECIFICALLY DISCLAIMS ANY AND ALL IMPLIED WARRANTIES OF FITNESS AND MERCHANTABILITY.

## G. PRODUCTS USED FOR RENTAL OR LEASE PURPOSES ARE WARRANTIED FOR 45 DAYS FROM DATE OF ORIGINAL SALE ONLY

## H. REMEDIED EXCLUSIVE

The only remedies the purchaser has in connection with the breach or performance of any warranty on New PECO, Inc. consumer products are set forth above. In no event will PECO be liable for special incidental or consequential damages.

### 1. NO SERVICE CENTER WARRANTY

The selling Service Center makes no warranty on his own on any item warrantied by New PECO, Inc. unless he delivers to purchaser a separate written warranty certificate specifically warranting the item. The dealer has no authority to make any representation or promise on behalf of PECO or to modify the terms of this warranty in any way.

## Section 1 Introduction



**NOTE:** Always wear the proper personal protection equipment when operating the PECO Z-Trimmer.

Thank you for purchasing the newly re-designed PECO Z-Trimmer model number ZT-3000. We took all the great features our customers have grown to love, and improved them for greater durability and performance.

The Z-Trimmer is an attachment for your riding mower, zero-turn mower or tractor, that allows you to trim and mow at the same time. Your productivity and efficiency will improve and you will save time and labor.

The Z-Trimmer is designed for light duty trimming, and is equipped with a thermal circuit breaker. If the breaker trips while in operation, your electric motor is operating at a higher temperature than recommended. Use of the Z-Trimmer in heavy duty applications may create excessive draw from the electrical system for the machine on which the trimmer is mounted, resulting in incomplete charging of the machines battery. For optimum performance, alternating use of the Z-Trimmer and normal mowing is recommended.

**Note:** Always operate the Z-Trimmer with the mower or tractor at full throttle.

The trimmer line should be no longer than 6" per side of the trimmer head. Longer lengths will cause excessive power consumption and reduce the efficiency of the trimmer.

The breakaway action of the Z-Trimmer is intended to provide relief when hitting objects. Many zero turn radius mowers travel at speeds of 8+ MPH. At speeds greater than 2 MPH, hitting objects with the Z-Trimmer **will** cause damage to the unit. The trimmer is intended to trim at a speed of 1 MPH, depending on the material that is being trimmed. Trimming at faster speeds will decrease performance of the trimmer.

## Section 2 Mounting Instructions

**NOTE:** The Z-Trimmer is designed to fit most all styles of mowing decks. We recommend using 4 mounting holes to secure the Z-Trimmer to the mowing deck. The style of mowing deck on your machine will determine which mounting holes you will use.

Before drilling any holes into your mowing deck, locate the best position for the Z-Trimmer. Things you should consider before drilling any holes:

- Clearance for the Z-Trimmer in both the up and down positions.
- Accessibility to the handle from the operator seat.
- Distance between the trimmer head and the mowing deck when the Z-Trimmer is in the engaged position.
- Check for possible blade interference.

Place the Z-Trimmer to the side of the mowing deck opposite of the grass discharge chute. Position the base plate so that the plate is flush with the edge of the deck and on center. Once in position, mark four holes from the base plate onto your mowing deck. Drill the holes with a 1/4" (.250-.257) drill bit. Secure the Z-Trimmer to the mower deck using (4) 1/4"-20 x 1" hex bolts P#(K1125) and (4) 1/4"-20 nylon flange locknuts P#(K2014). Refer to Figure 2a and 2b.

Figure 2a

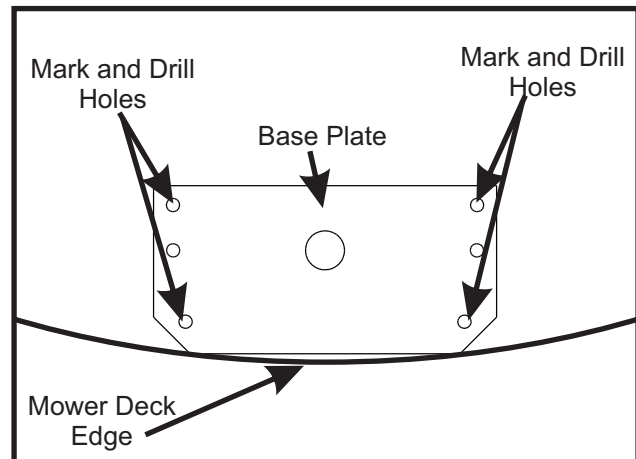
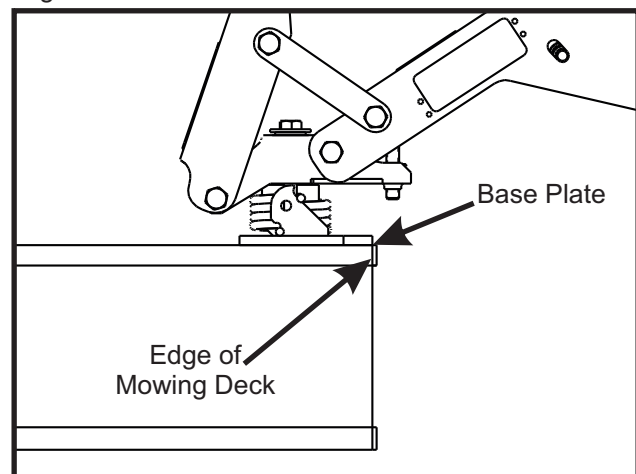


Figure 2b



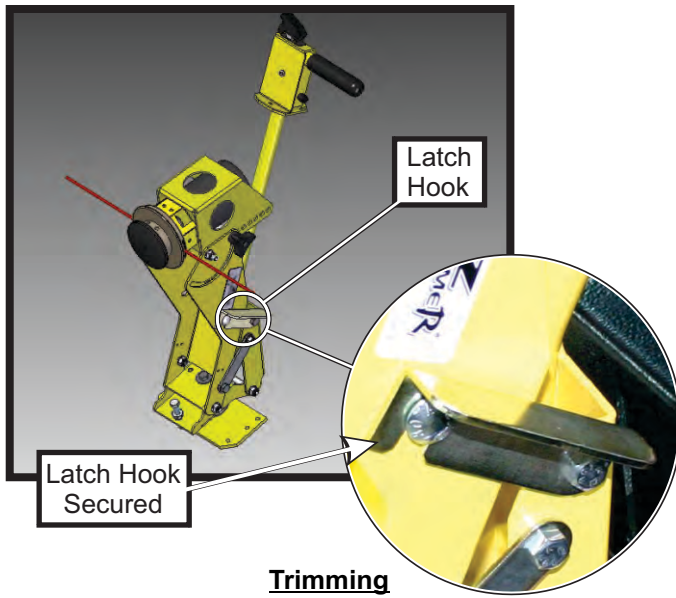
## Section 2 Mounting Instructions Cont.

**NOTE:** Route the power cable before connecting the cable to the battery. After the Z-trimmer has been secured to the mowing deck, connect the main power cable to the mower battery (connect the **red** wire to the **positive** terminal and the **black** wire to the **negative** terminal). Route the cable around the outside of the operator seat so that the cable does not interfere with the seat or the control arms. Keep cable away from all heat sources. Use zip-ties to secure the power cable, once the best routing has been determined.

## Section 3 Operation Instructions

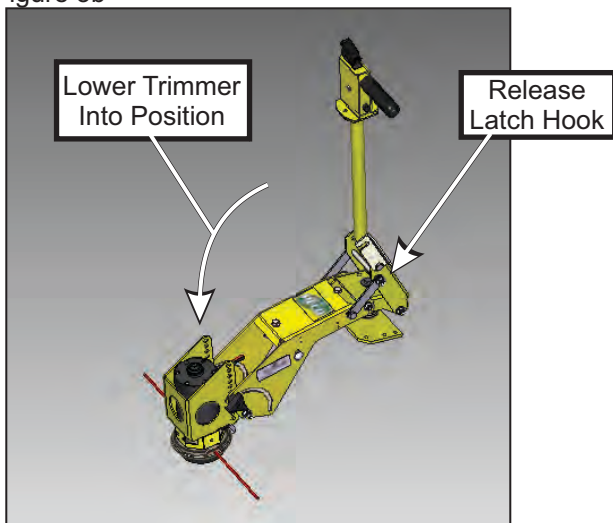
When not in use, the Z-Trimmer should be in the upright position with the latch hook secured. See Figure 3a.

Figure 3a



1. Release the latch hook and lower the trimmer into the down position. Refer to Figure 3b.

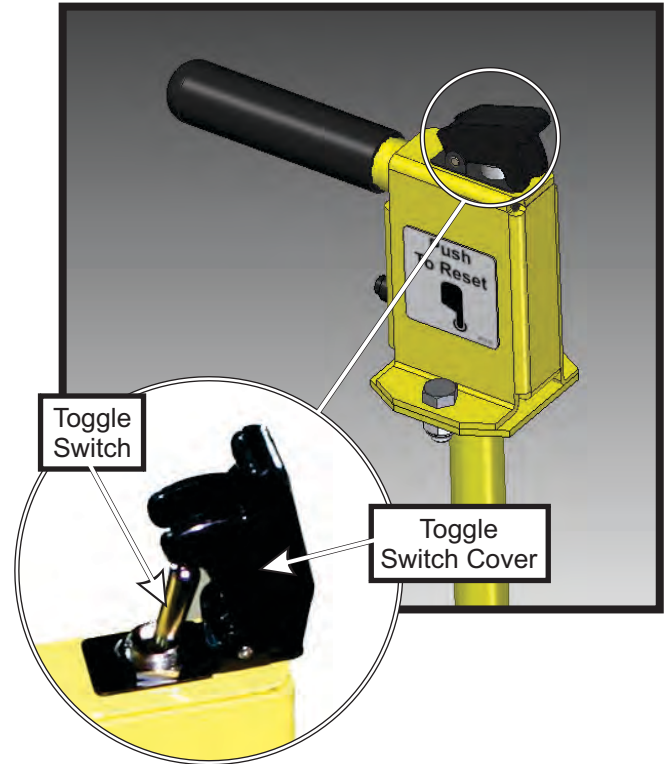
Figure 3b



## Trimming

To activate trimmer head, lift the toggle switch cover and flip the toggle switch forward. To de-activate the trimmer head, push the toggle switch cover down. Refer to Figure 3c.

Figure 3c

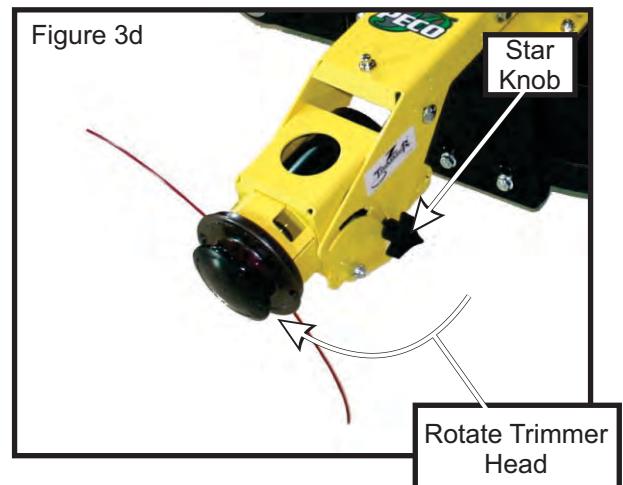


**NOTE:** If the circuit breaker on the Z-Trimmer trips, close the toggle switch cover, wait five seconds and then push the reset button before turning on.

## Edging

To position the trimmer head for edging, loosen the star knob shown in Figure 3d, rotate the trimmer head into the position desired for edging and re-tighten the star knob.

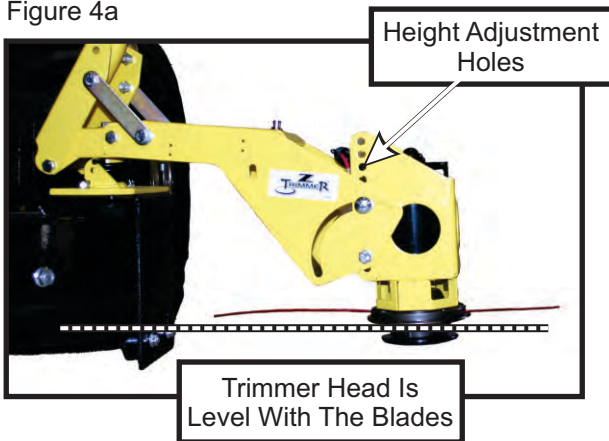
Figure 3d



## Section 4 Height Adjustment

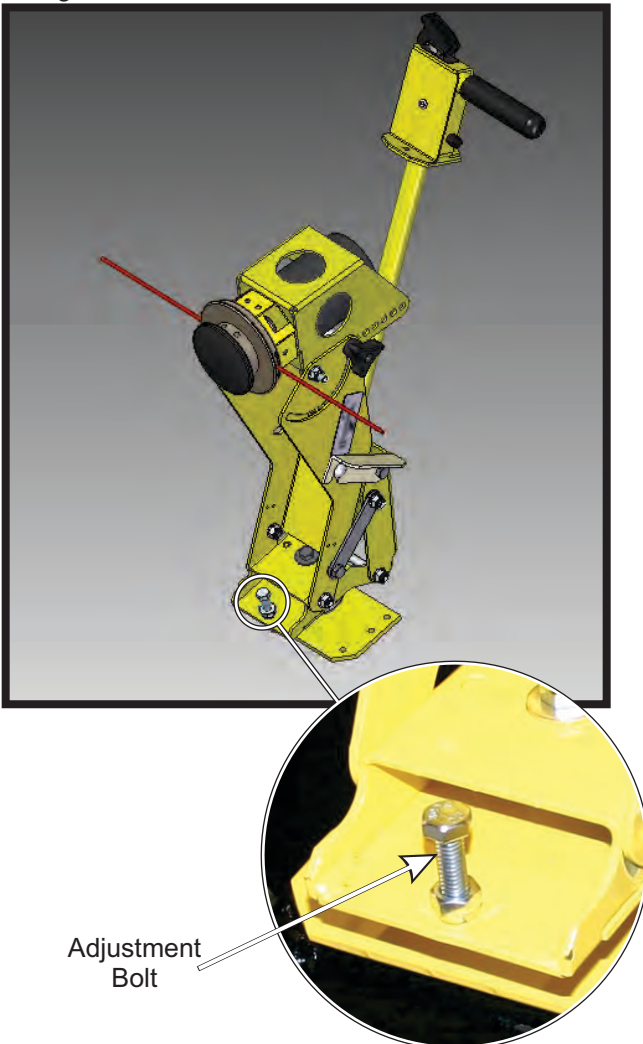
While in the down position, adjust the height of the trimmer head so that it is in line with the blades on the mower deck.

Figure 4a



For fine tuning adjustment of the height, use the adjustment bolt shown in Figure 4b. Turn the bolt clockwise to lower the swing arm, or counter-clockwise to raise the swing arm.

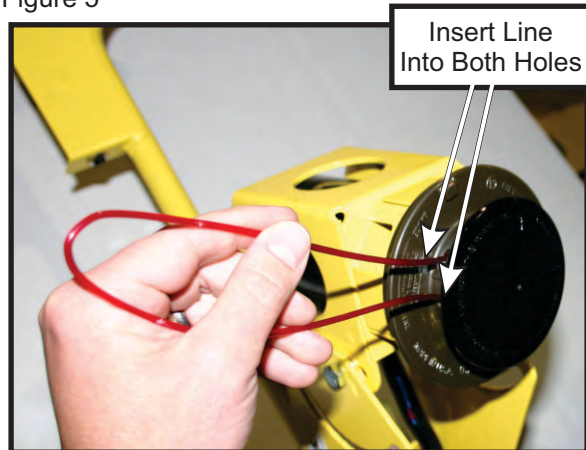
Figure 4b



## Section 5 Trimmer Line

To replace trimmer line, bend a new line into two equal lengths, insert the line ends into the holes on the trimmer head. The head will automatically route the line out the correct hole. Pull each end taught and adjust if uneven. Refer to Figure 5. To order more trimmer line P#(ZT-0017), contact PECO at (800) 438-5823.

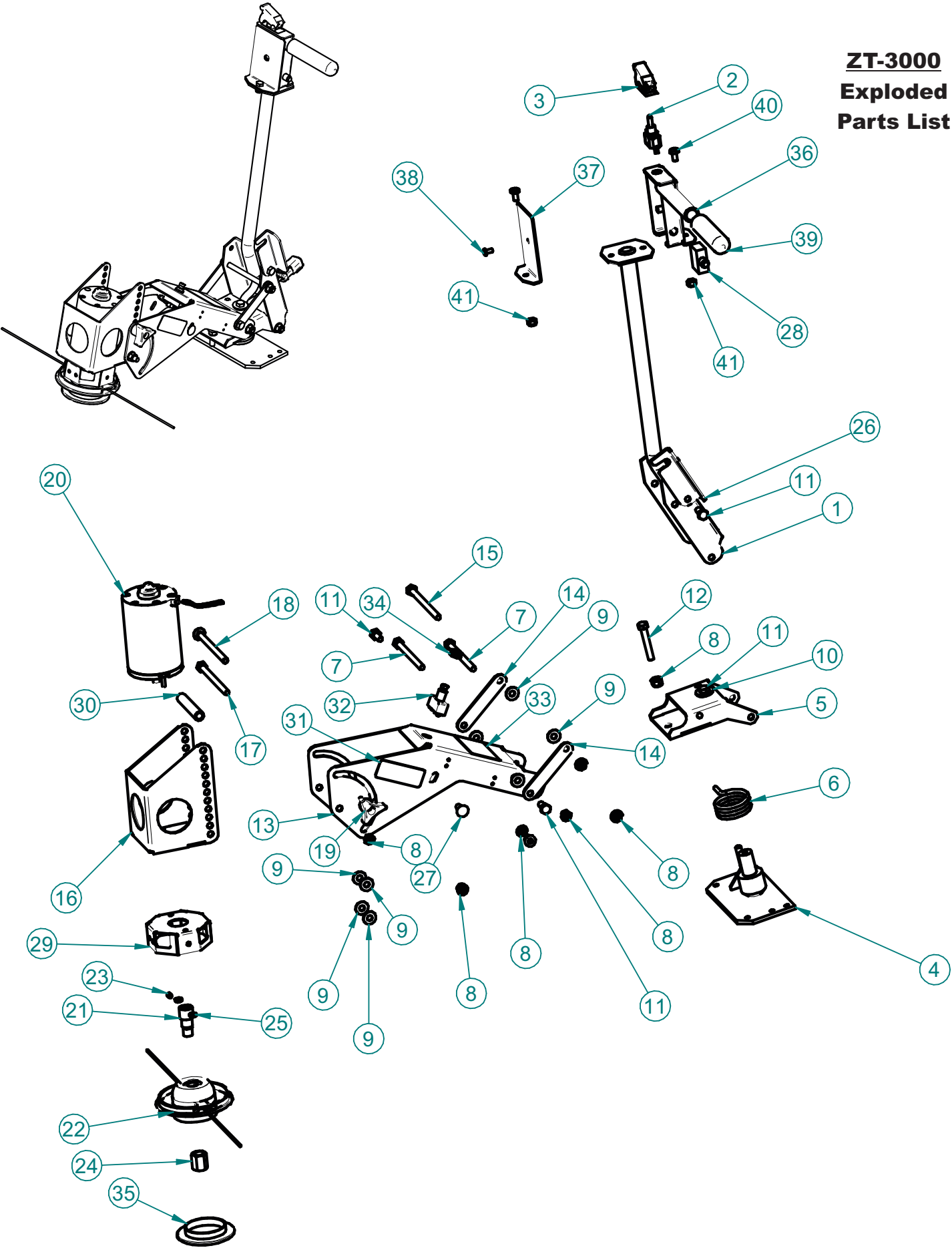
Figure 5



## Section 6 Tips and Recommendations

- Because the Z-Trimmer runs off your machine's charging system, it is recommended to operate the machine at full throttle when using the Z-Trimmer.
- Inspect the Z-Trimmer before each and every use. Examine the base plate to ensure the Z-Trimmer is tightly secured to your machine. Make sure the power cable is secure. Check all moving parts for damage or obstruction. Inspect the trimmer head and line.
- Check the head shroud for any debris before using the Z-Trimmer. Clean if necessary.
- If the circuit breaker trips repeatedly, slow your speed and/or adjust your height setting.
- Keep your trimmer line in an easily accessible, but secure place on your machine. Practice replacing the trimmer line from the operator seat to save time.
- If the Z-Trimmer gets hung up or caught on something, **STOP** and **TURN THE POWER OFF** before inspecting the situation.
- Ensure the Z-Trimmer is in the correct angle (trimming/edging) and that the star knob is tightened securely before use.
- Always inspect the area you are trimming before operating your Z-Trimmer. Look for anything that could potentially get caught up in the trimmer head, or damage the trimmer.

**ZT-3000**  
**Exploded**  
**Parts List**



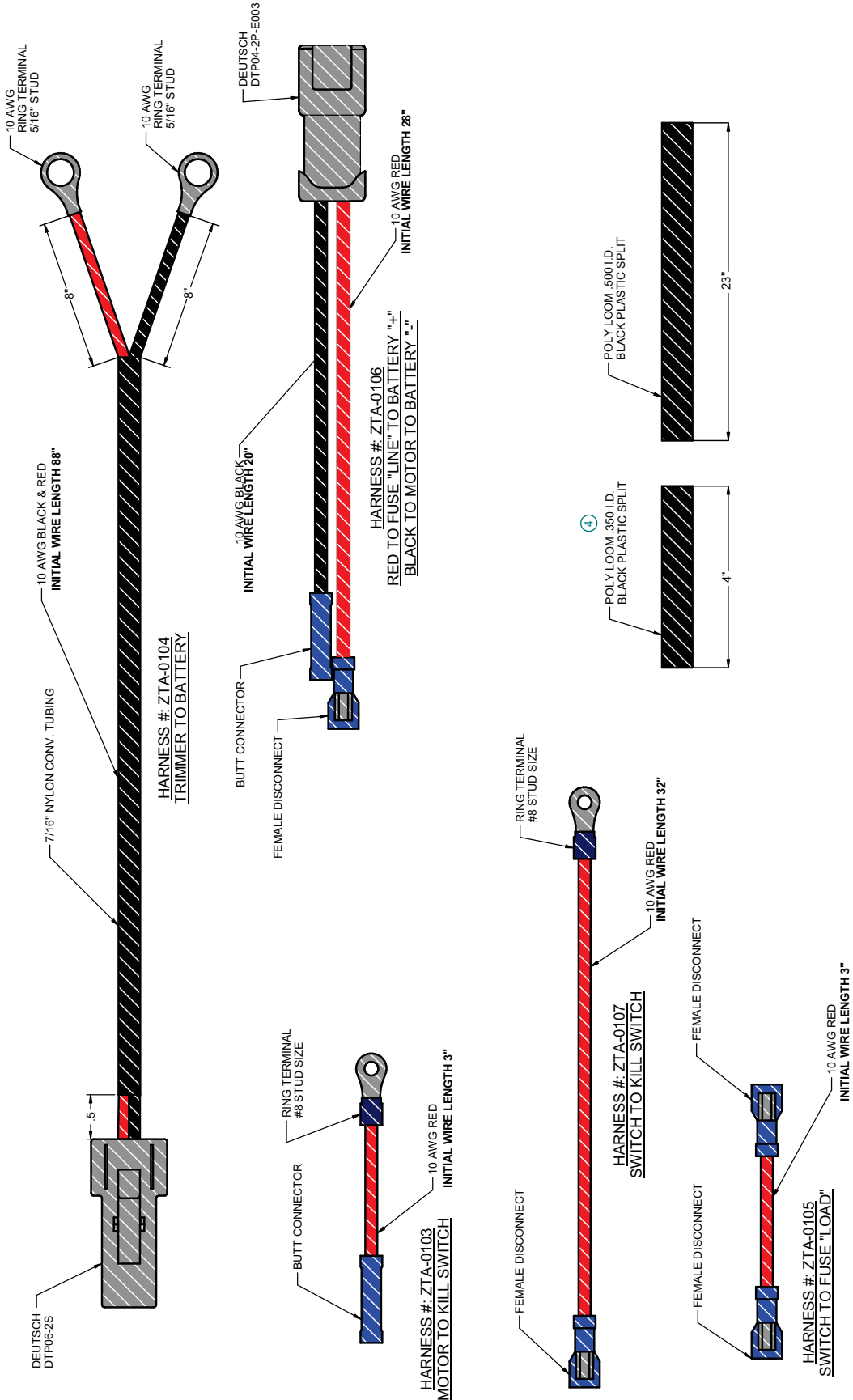
## **ZT-3000 Parts List**

Item #	Part #	Desc.	Qty.
1	ZTA-0112	Lower Handle Assembly	1
2	J2001	SPRAYER POWER SWITCH	1
3	P0073	Safety Cover for Toggle	1
4	ZTA-0002	Base Plate Assembly	1
5	ZTA-0004	Pivot Block Assembly	1
6	ZT-0010	Pivot Spring	1
7	K0293	5/16"-18 x 4-" HHCS	2
8	K2516	Ny-Flange Lock Nut 5/16"-18	8
9	K0037	Flat Washer / 1/4" (.75 OD x .312 ID x .060 T)	8
10	K0047	Flat Washer 3/8" / 1.00 OD x .446 ID x .075 T	1
11	K1153	HHCS 5/16"-18 x 3/4"	4
12	K1159	5/16"-18 x 2" All Thread HHCS	1
13	ZT-0106	Swing Arm	1
14	ZT-0004	Swing Arm Bracket	2
15	K0294	5/16"-18 x 4-1/2" HHCS	1
16	ZT-0108	Motor Mount Pivot	1
17	K1163	5/16"-18 x 4-1/4" HHCS	1
18	K0292	5/16"-18 x 4-1/2" Carriage Bolt	1
19	J0256	Star Knob	1
20	ZT-0014	3" PMDC Motor	1
21	ZT-0012	Shaft Bushing	1
22	ZT-0018	Trimmer Head	1
23	K0295	1/4"-28 x 1/4" Set Screw	1
24	ZT-0013	Shaft Nut	1
25	K0357	10-32 HEX NUT	2
26	ZT-0026	Latch Hook	1
27	K1142	5/16"-18 x 3/4" Carriage Bolt	1
28	P0018	20 Amp Manual Circuit Breaker	1
29	ZT-0027	Head Shroud	1
30	ZT-0009	Pivot Lock Spacer	1
31	R1104	Z-Trimmer Logo	1
32	P0082	OPS SWITCH	1
33	R1106	PECO Logo Label	1
34	J2005	15/32"-32 Hex Panel Nut	2
35	ZT-0025	Glide Plate	1
36	ZTA-0111	Upper Handle Assembly	1
37	ZT-0032	Z-Trimmer Switch Casing Front	1
38	K0320	10-32 x 3/8" Pan Head Screw	1
39	V1158	Handle Grip	1
40	K1105	1/4"-20 x 1/2" HHCS	2
41	K1128	1/4"-20 Nyloc Nut	2
42*	R1105	Danger Label	1

**ZT-3000 Also Includes WD-0012 - Wiring Kit and Hardware Bag #HB0502**



# WD-0012 WIRING KIT



**Labels & Safety Decals**



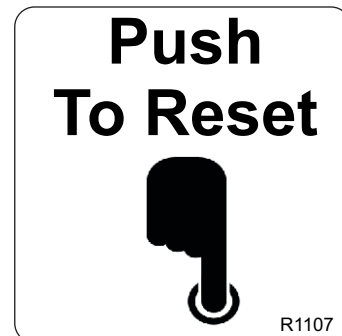
Z-Trimmer Logo  
Part Number: R1104



Danger/Caution Label  
Part Number: R1105



PECO Logo  
Part Number: R1106



Push To Reset Label  
Part Number: R1107



**Model #:** ZT-3000

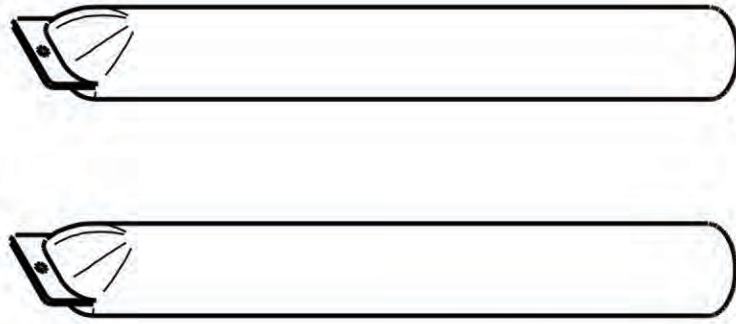
**Desc:** Z-Trimmer

**Owner's Manual:** Q0447

**Revision #:** 5 Final Release: 8/10/2017

ZT-3000

**Qty. of 1  
Q0447  
Owner's  
Manual  
(Included  
In HB0502)**

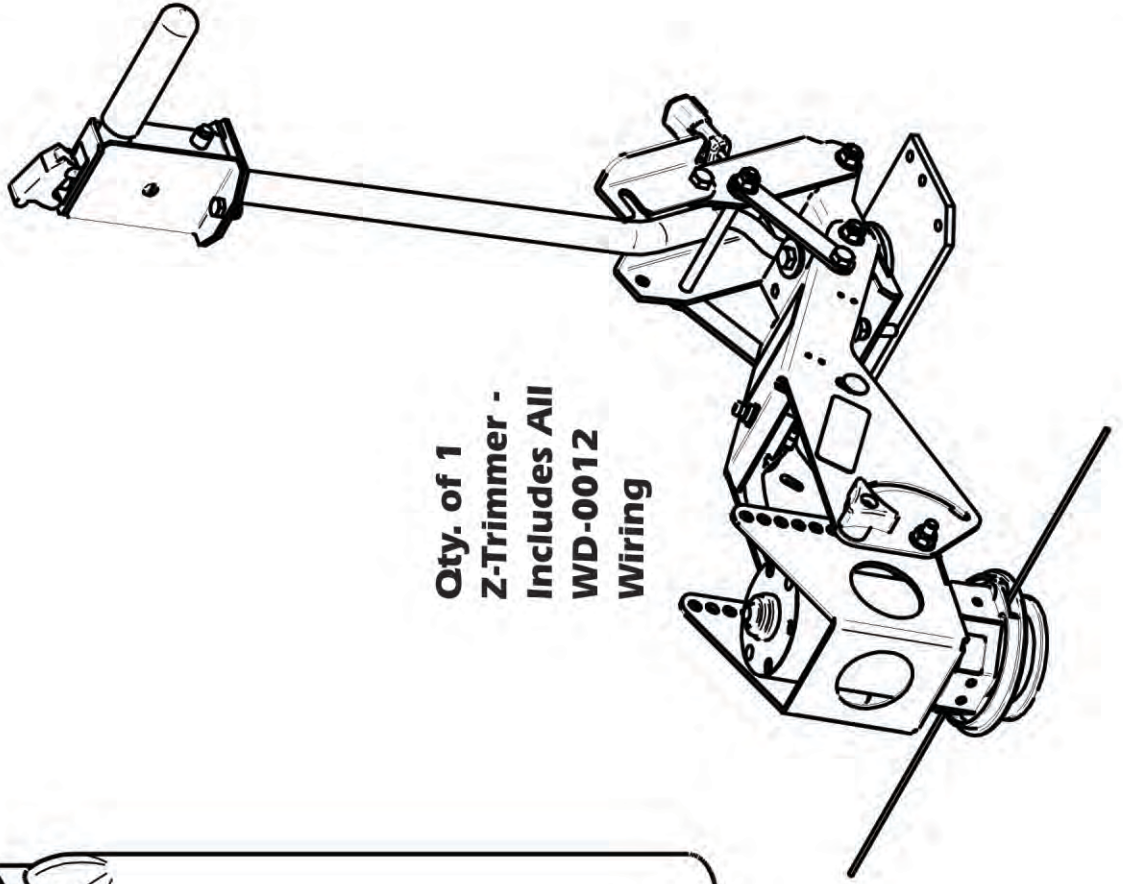


**Qty. of 2  
ZT-0017 -  
Tube of 20  
Pcs. of .095  
Trimmer Line  
(Included  
In HB0502)**

**Qty. of 1  
HB0502  
Hardware  
Bag**



**Qty. of 1  
Z-Trimmer -  
Includes All  
WD-0012  
Wiring**



**THE SERIAL NUMBER PLATE IS LOCATED ON THE  
ON/OFF SWITCH BOX.**

<b>PECO</b>	
<b>OUTDOOR POWER EQUIPMENT</b>	
Model Number	ZT-3000
Serial Number	
Arden, North Carolina 28704	

WRITE THE SERIAL NUMBER IN THE  
BOX ABOVE FOR FUTURE REFERENCE.



**10 WALDEN DRIVE  
ARDEN, NORTH CAROLINA 28704  
(800) 438-5823 OR (828) 684-1234 FAX: (828) 684-0858  
EMAIL: [peco@lawnvac.com](mailto:peco@lawnvac.com)  
WEBSITE: [WWW.LAWNAC.COM](http://WWW.LAWNAC.COM)**