



**Unit Model #: 49 1 3 1 5 0 6 (629JJ-001A)**

**Mower:** Country Clipper

**Owner's Manual:** Q0530

**Mower Type:** Boss XL

**Deck Size:** 60"

**Vac Type:** P3B

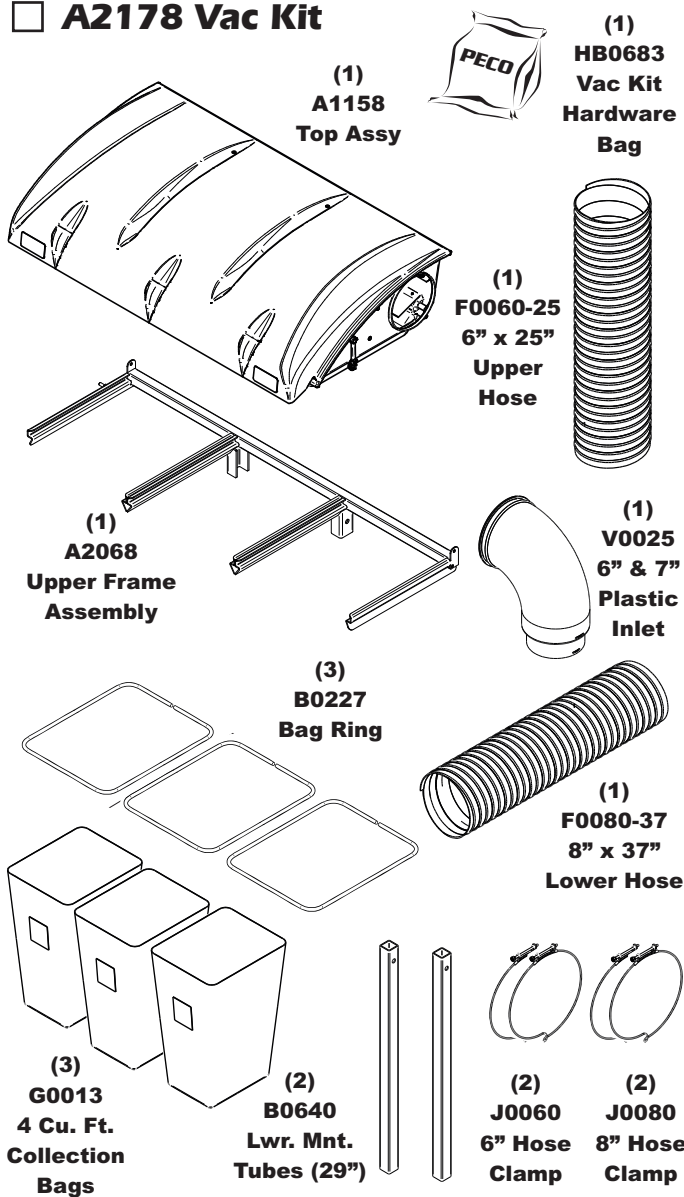
**Deck Type:**

**Drive Type:** PTO-X

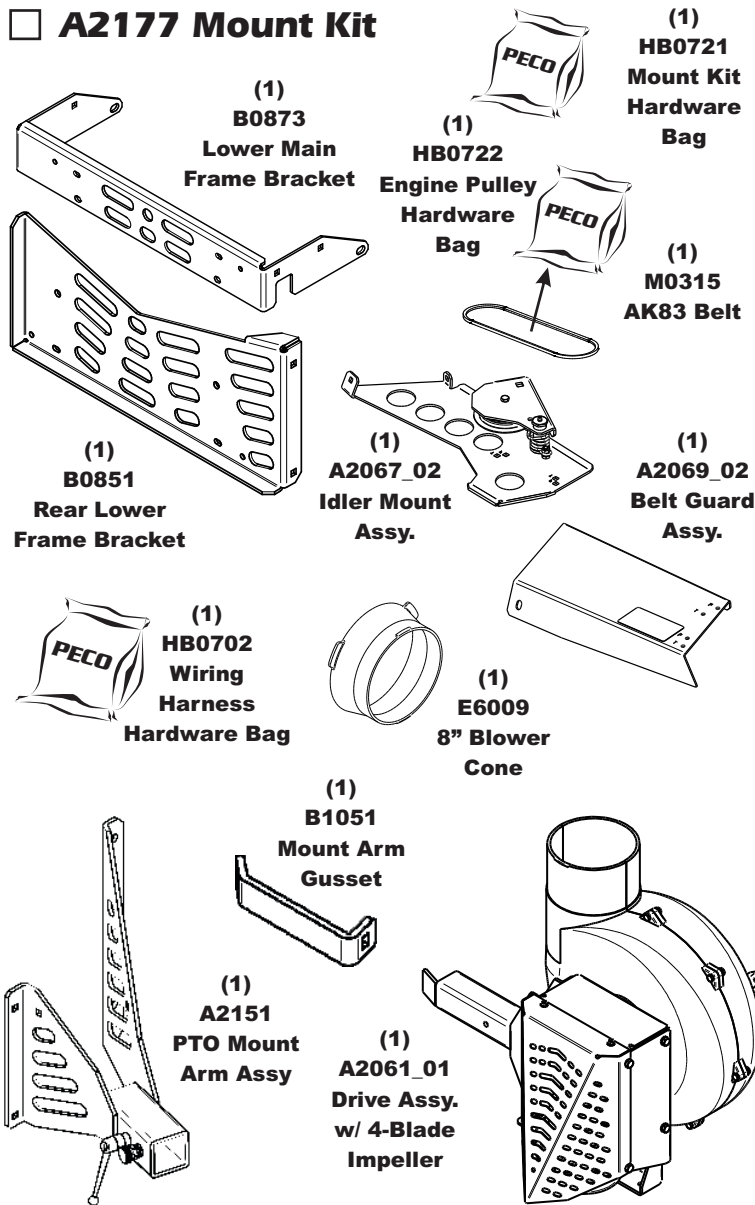
**Revision #:** 1 - XY (06/2018)

**Fits Year(s):** 2018-Newer

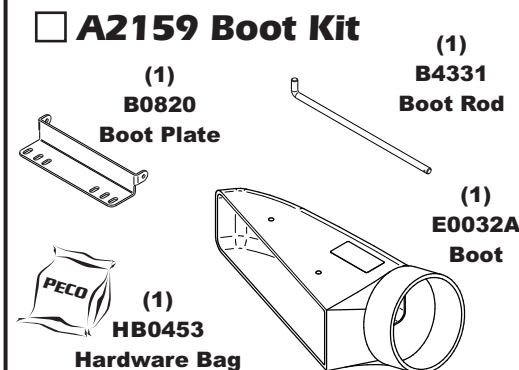
**A2178 Vac Kit**



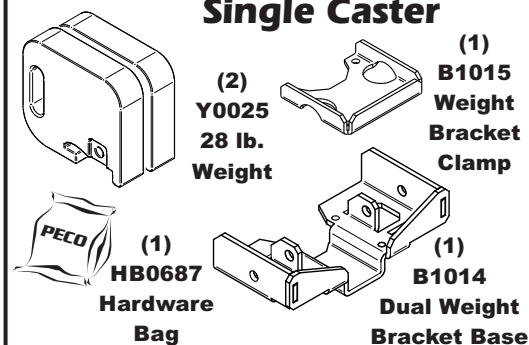
**A2177 Mount Kit**



**A2159 Boot Kit**



**A2121 Dual Weight Kit / Single Caster**



**A2121 Dual Weight Kit / Single Caster**

