



Unit Model #: 59A30047150 (21131509)

Mower & Type: Cub Cadet Pro Z 500, 700 & 900 Series

Mower Models: Pro Z 554L, Pro Z 560L, Pro Z 554S, Pro Z 560S, Pro Z 760L, Pro Z 760S, Pro Z 960L & Pro Z 960S

Owner's Manual: Q0507

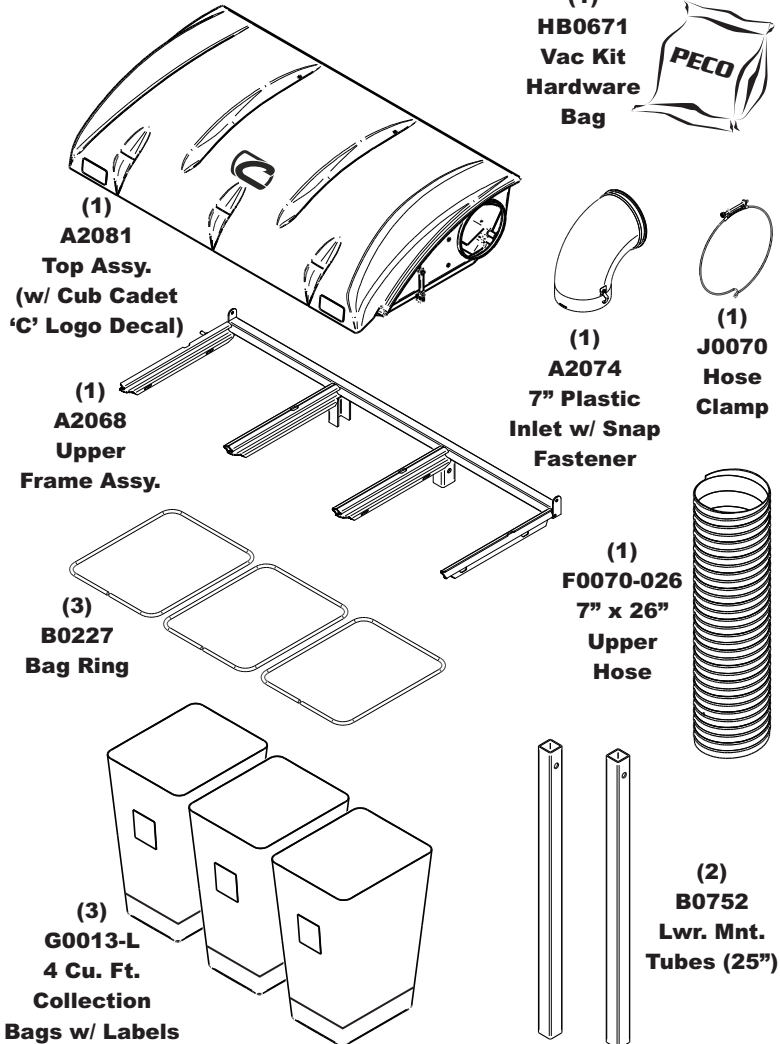
Vac/Drive Type: P3B (15 Cu. Ft.) PTO-X Driven

Revision #: 1 - New Upper Frame - JPS 4/27/2017

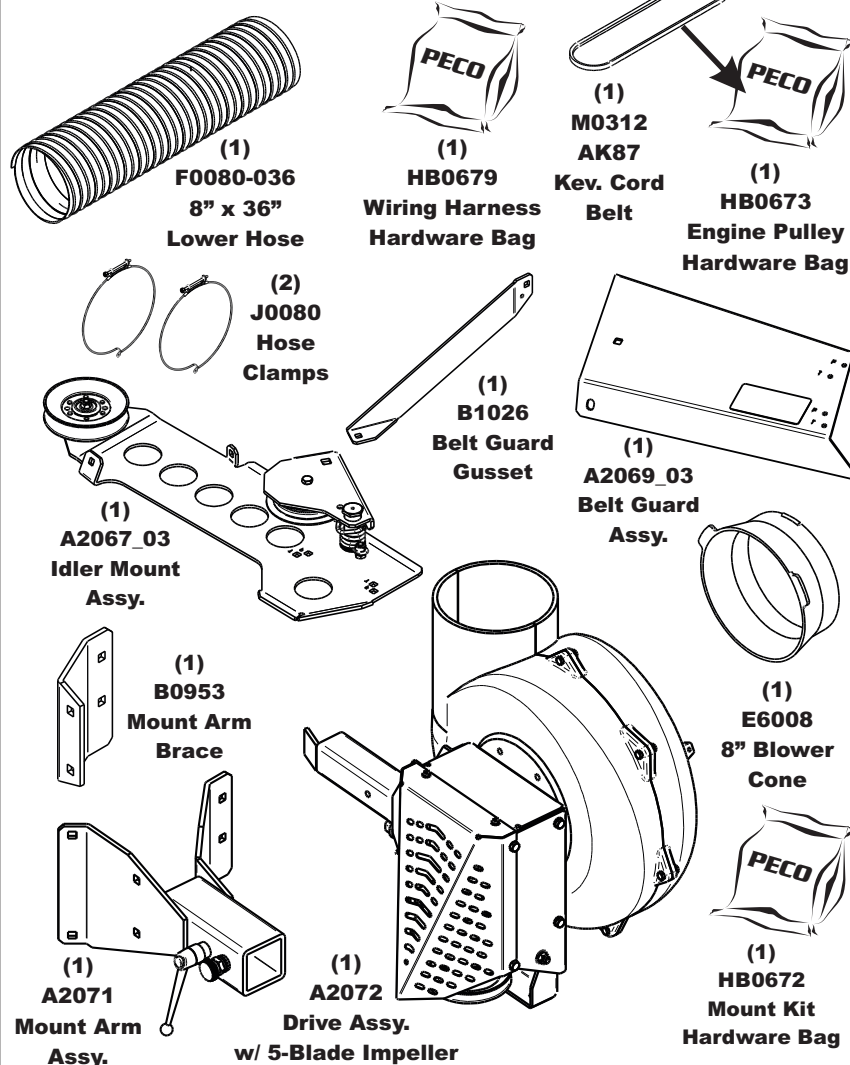
Fits Year(s): 2016 & Newer

L Series Mowers Require Weight Kit 59B30037150 (A1149) - Not Included On Pack

A2079 Vac Kit



A2080 Mount Kit



A2066 Boot Kit

