



Unit Model #: 06131517

Mower & Type: John Deere Z930M & Z930R

Engine Type: Kawasaki FX801V

Deck Size & Type: 60" 7 Iron II - Commercial

Vac Type: Pro 3 Bagger (15 Cu. Ft.)

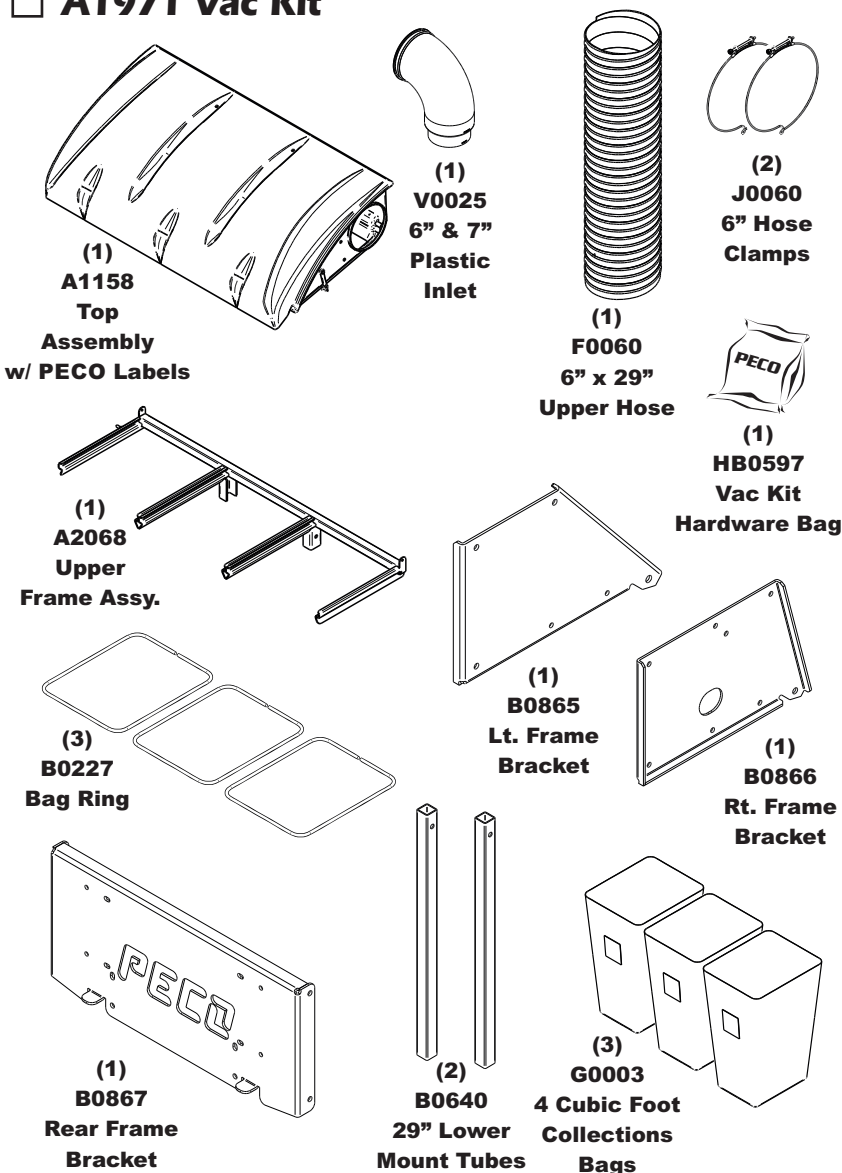
Owner's Manual: Q0477

Drive Type: PTO Driven

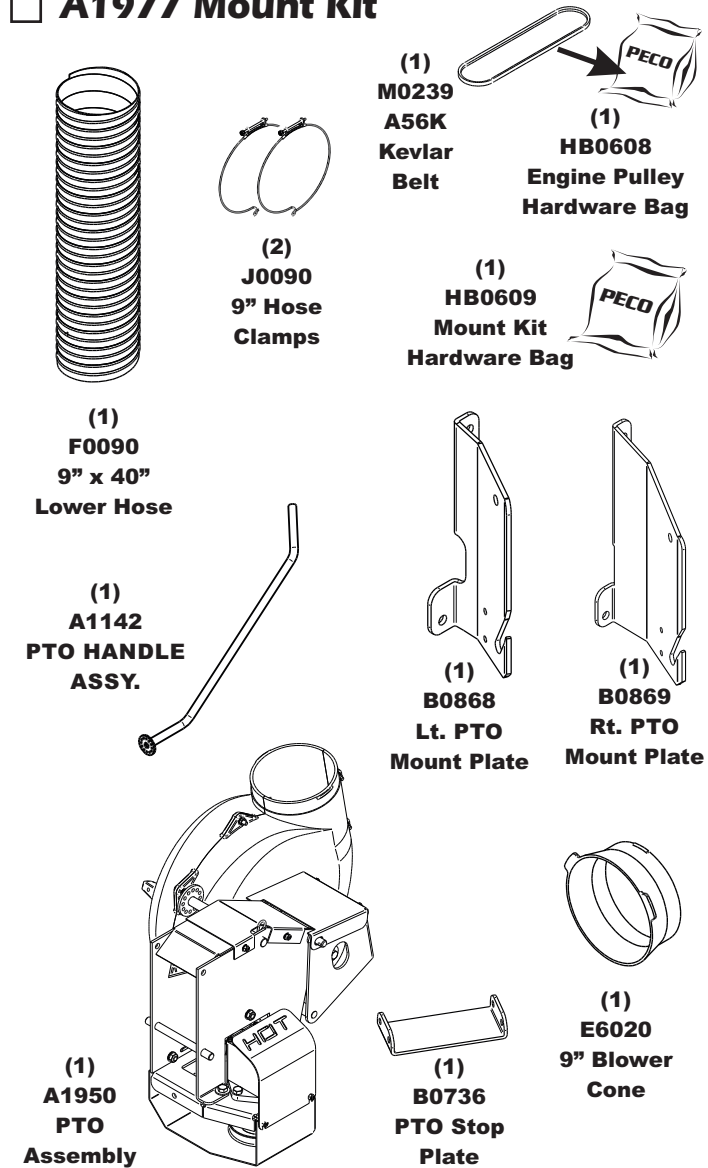
Revision #: Final Release 10/31/2013

Fits Year(s): 2013 & Newer

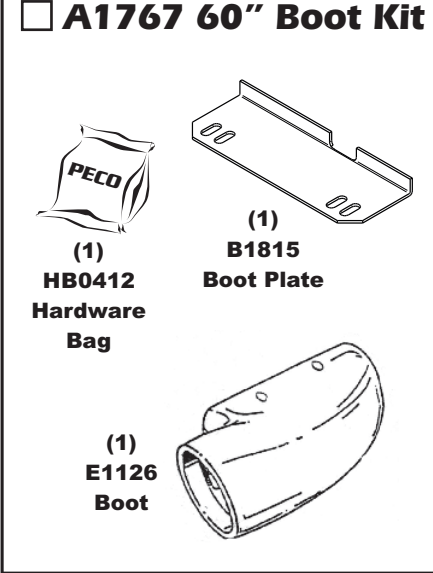
A1971 Vac Kit



A1977 Mount Kit



A1767 60" Boot Kit



A2140 Weight Kit

