



**Unit Model #: 06131516**

**Mower & Type:** John Deere Z930R

**Engine Type:** Kawasaki FX801V

**Deck Size & Type:** 54" 7 Iron II - Commercial

**Vac Type:** Pro 3 Bagger (15 Cu. Ft.)

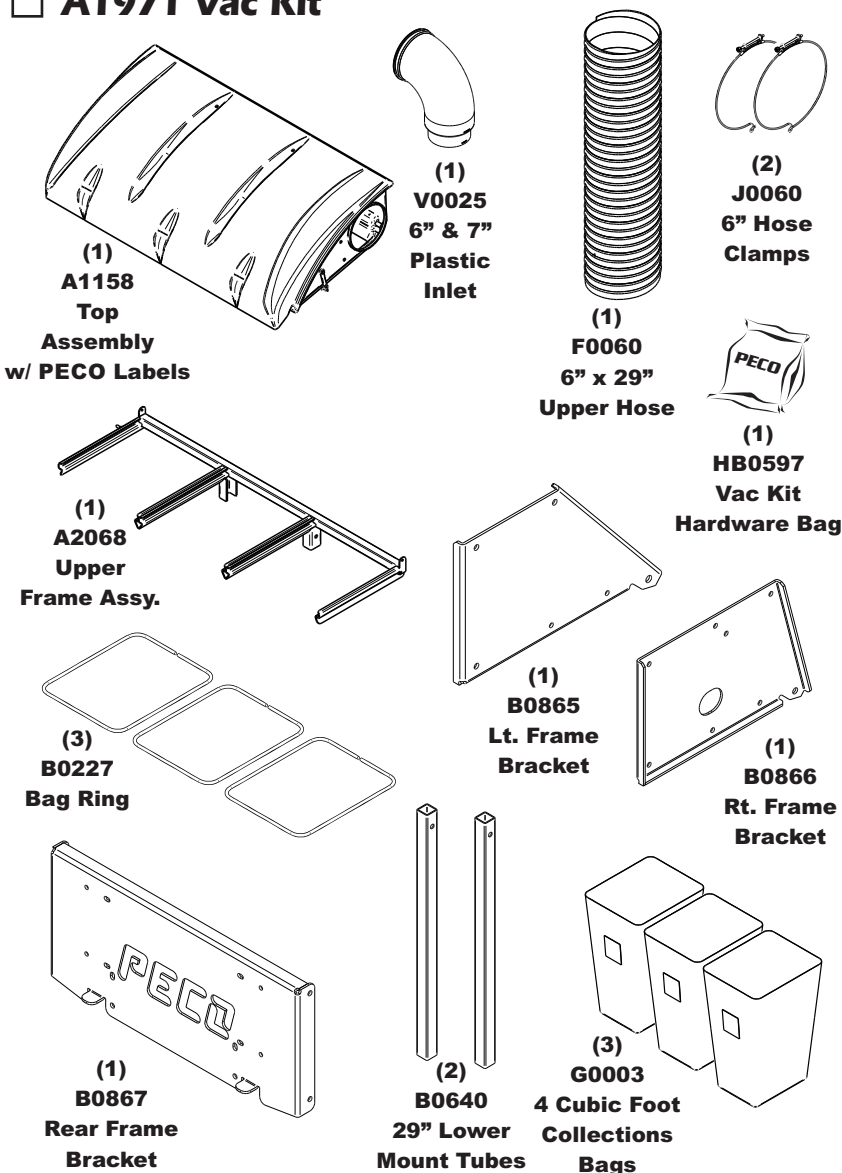
**Owner's Manual:** Q0477

**Drive Type:** PTO Driven

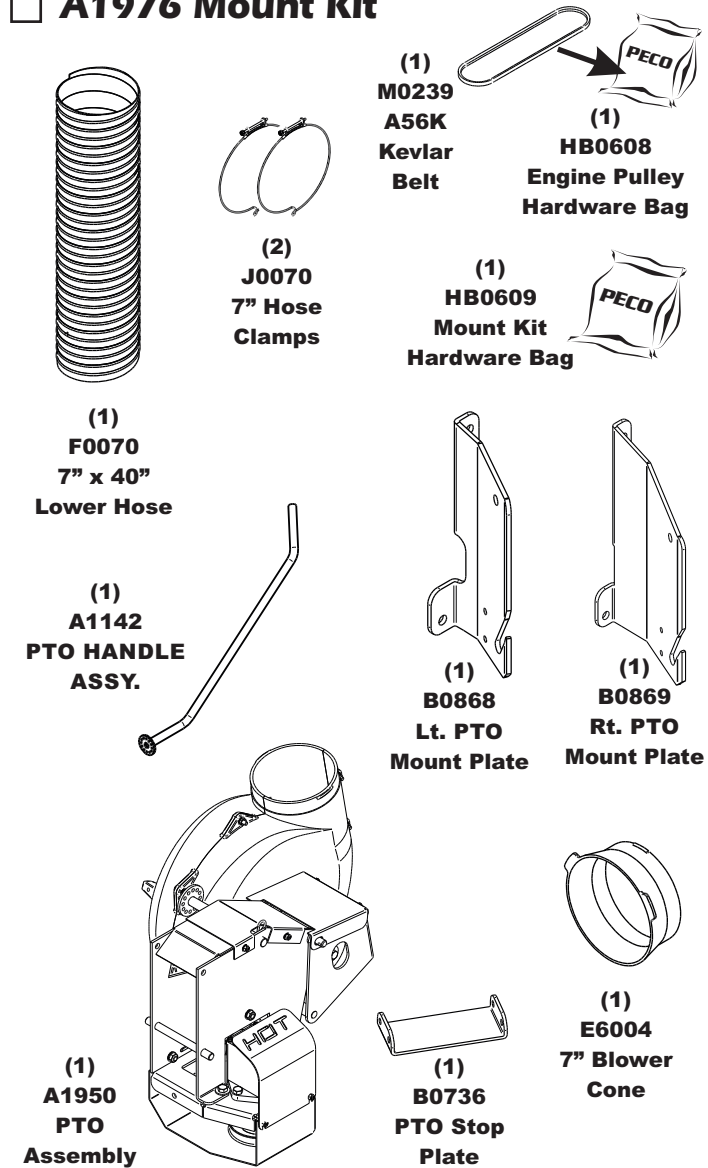
**Revision #:** Final Release 10/31/2013

**Fits Year(s):** 2013 & Newer

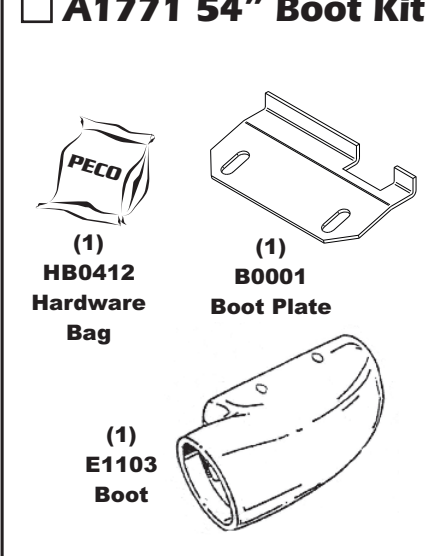
**A1971 Vac Kit**



**A1976 Mount Kit**



**A1771 54" Boot Kit**



**A2140 Weight Kit**

