



Unit Model #: 05131502

Mower: Snapper Pro

Owner's Manual: Q0462

Mower Type: S150XT

Deck Size: 52" & 61"

Vac Type: 15 Cu. Ft. Pro 3 Bagger

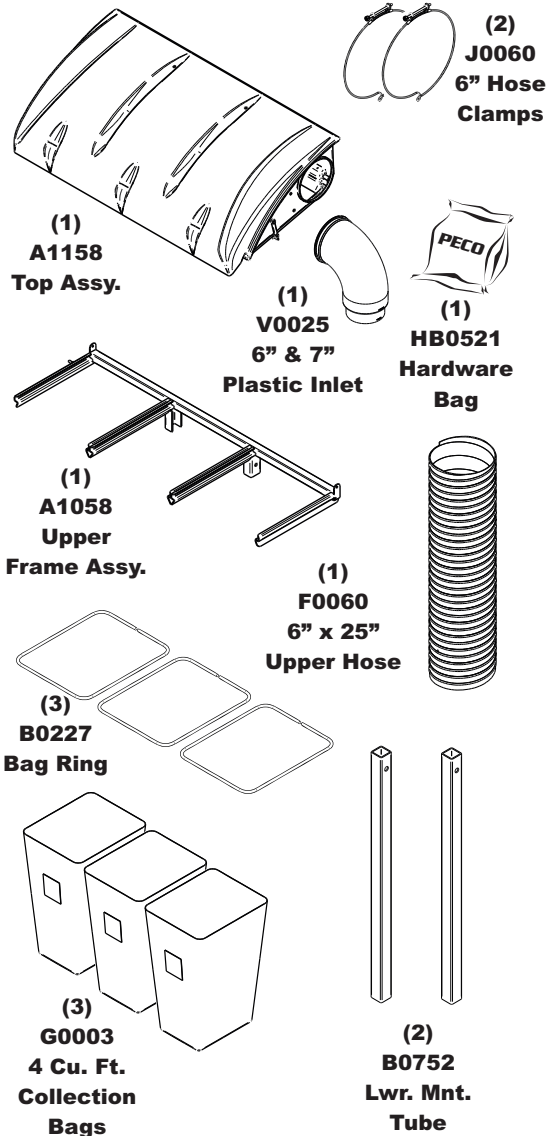
Deck Type: iCD Cutting System

Drive Type: 5.5HP B&S 900 Series Engine

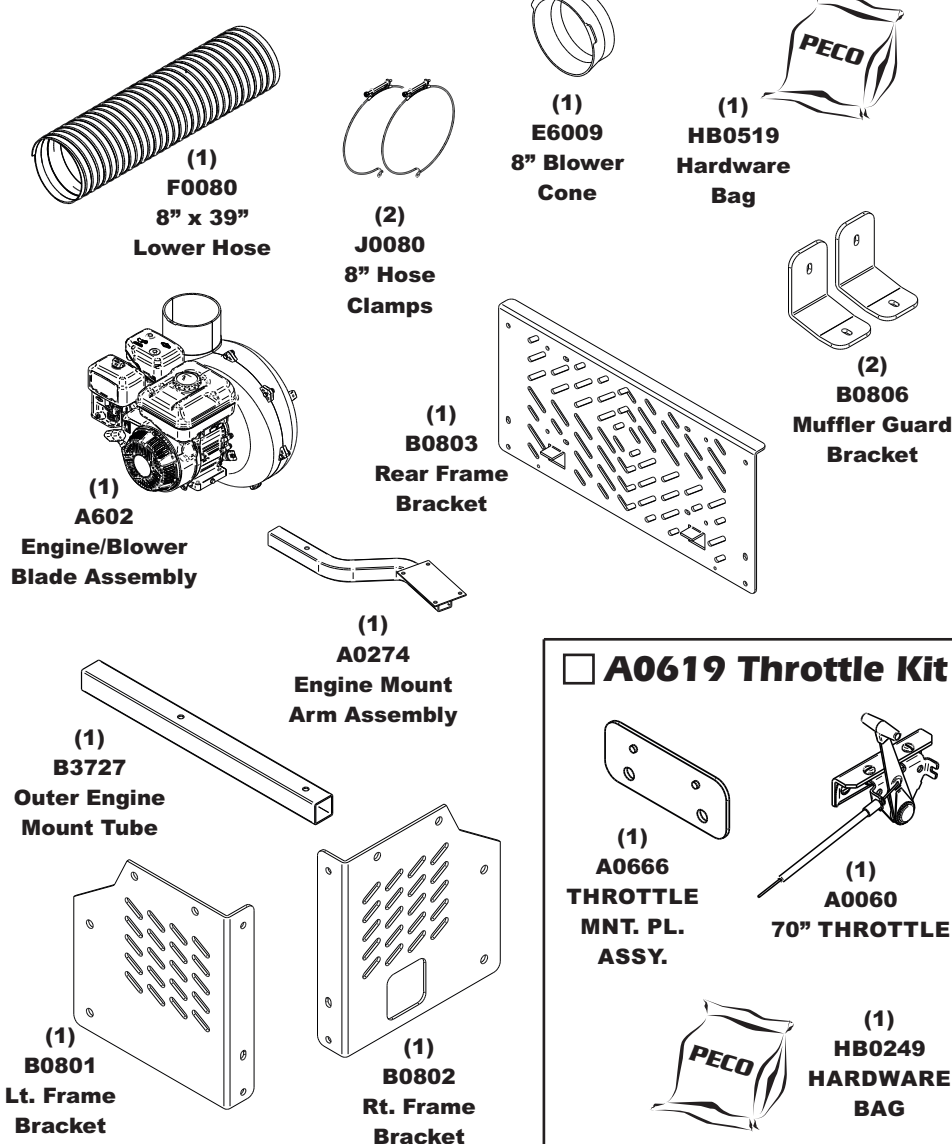
Revision #: Final Release 5/08/13

Fits Year(s): 2012-2013

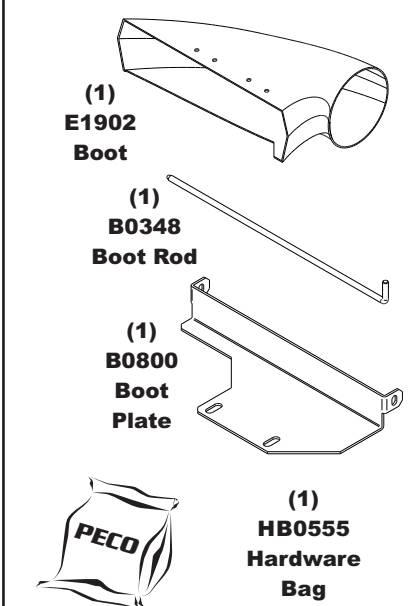
A1918 Vac Kit



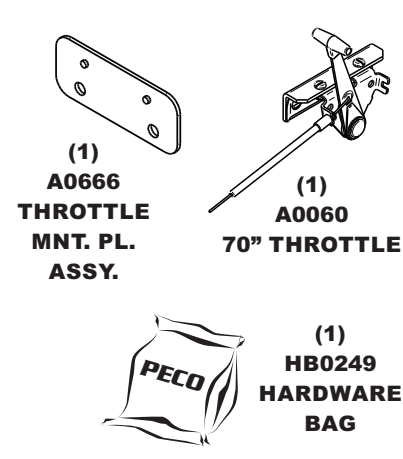
A1920 Mount Kit



A1914 Boot Kit



A0619 Throttle Kit



A1915 Weight Kit

