



**Unit Model #: 05131501**

**Mower:** Snapper Pro

**Owner's Manual:** Q0462

**Mower Type:** S150XT

**Deck Size:** 52" & 61"

**Vac Type:** 15 Cu. Ft. Pro 3 Bagger

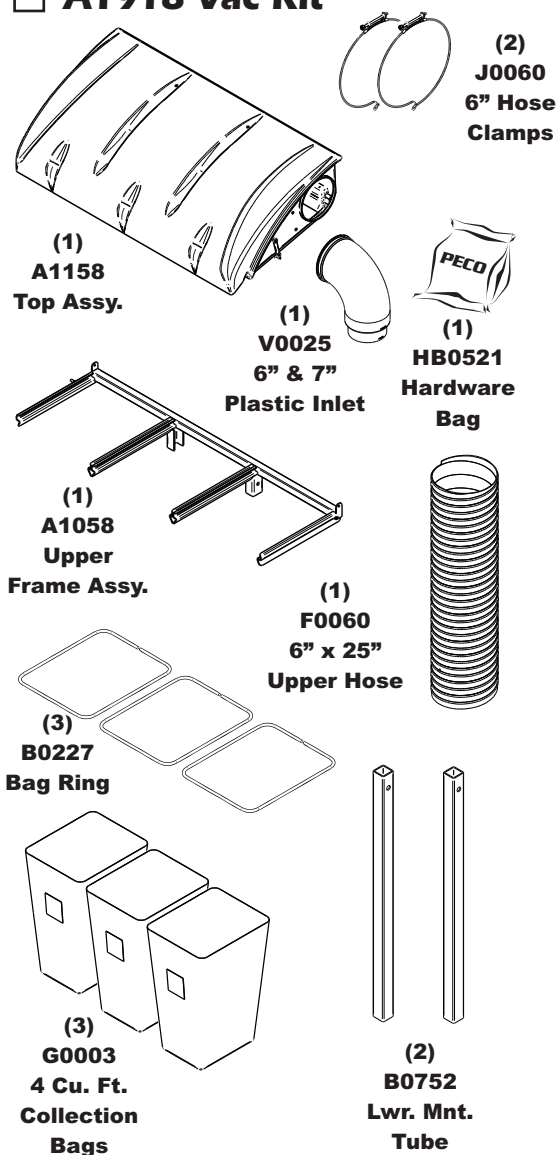
**Deck Type:** iCD Cutting System

**Drive Type:** 6.5HP B&S Vanguard Engine

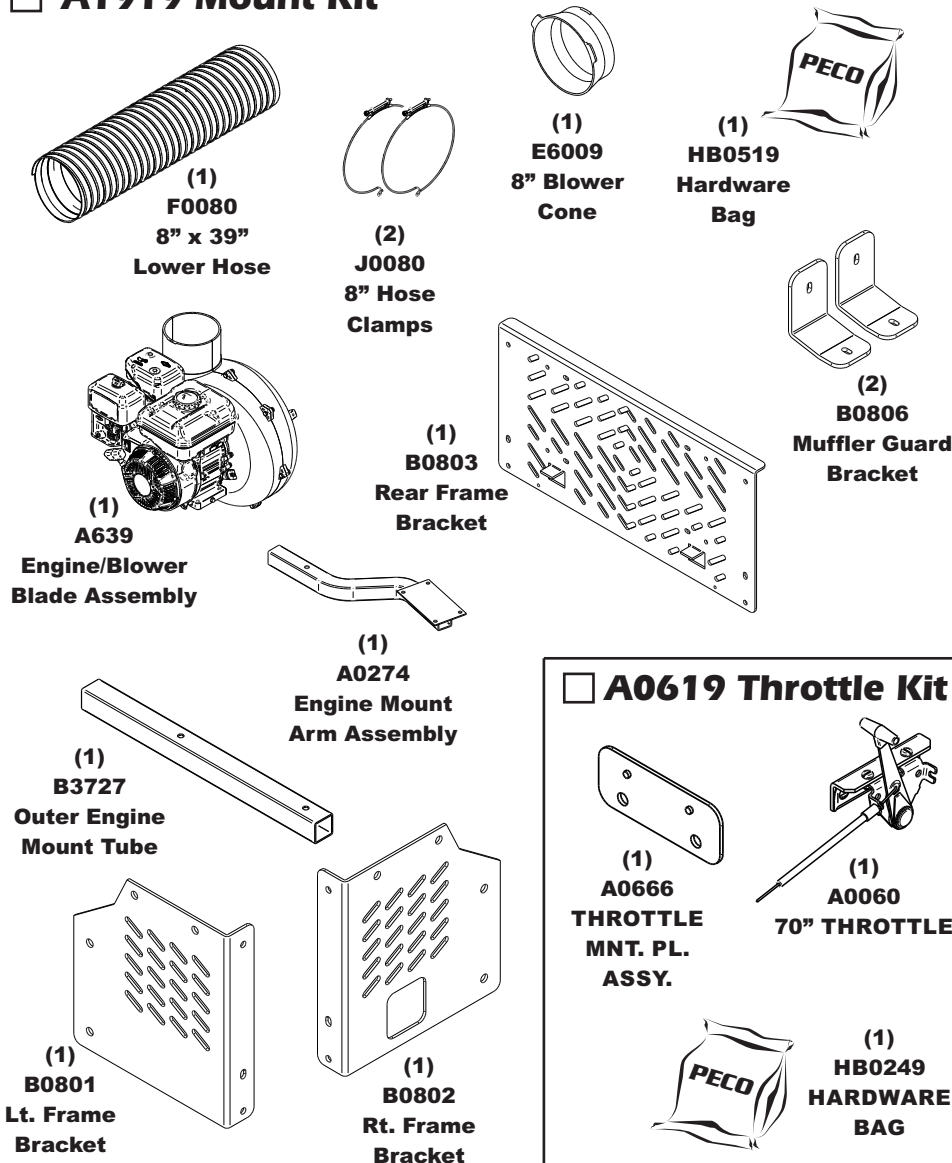
**Revision #:**

**Fits Year(s):** 2012-2013

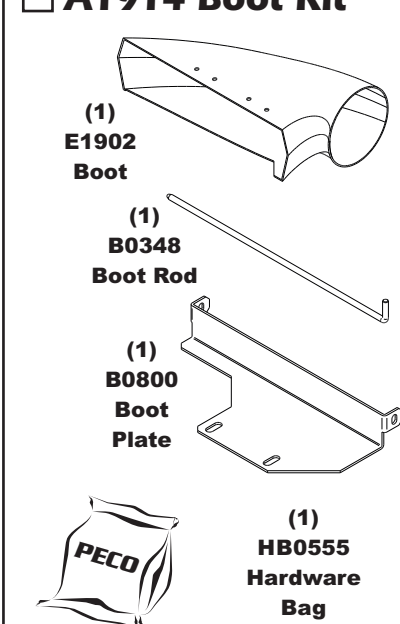
**A1918 Vac Kit**



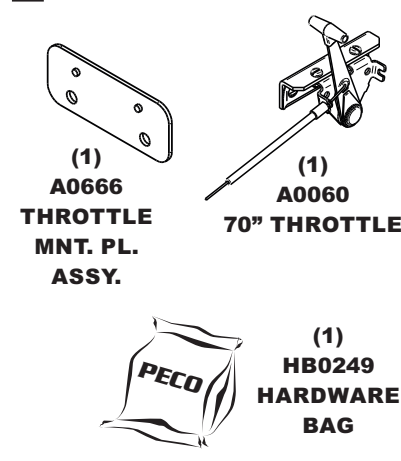
**A1919 Mount Kit**



**A1914 Boot Kit**



**A0619 Throttle Kit**



**A1915 Weight Kit**

