



Unit Model #: 49 1 20908 (629JH-001A)

Mower: Country Clipper

Owner's Manual: Q0521

Mower Type: XLT

Deck Size: 48" & 54"

Vac Type: P2B+

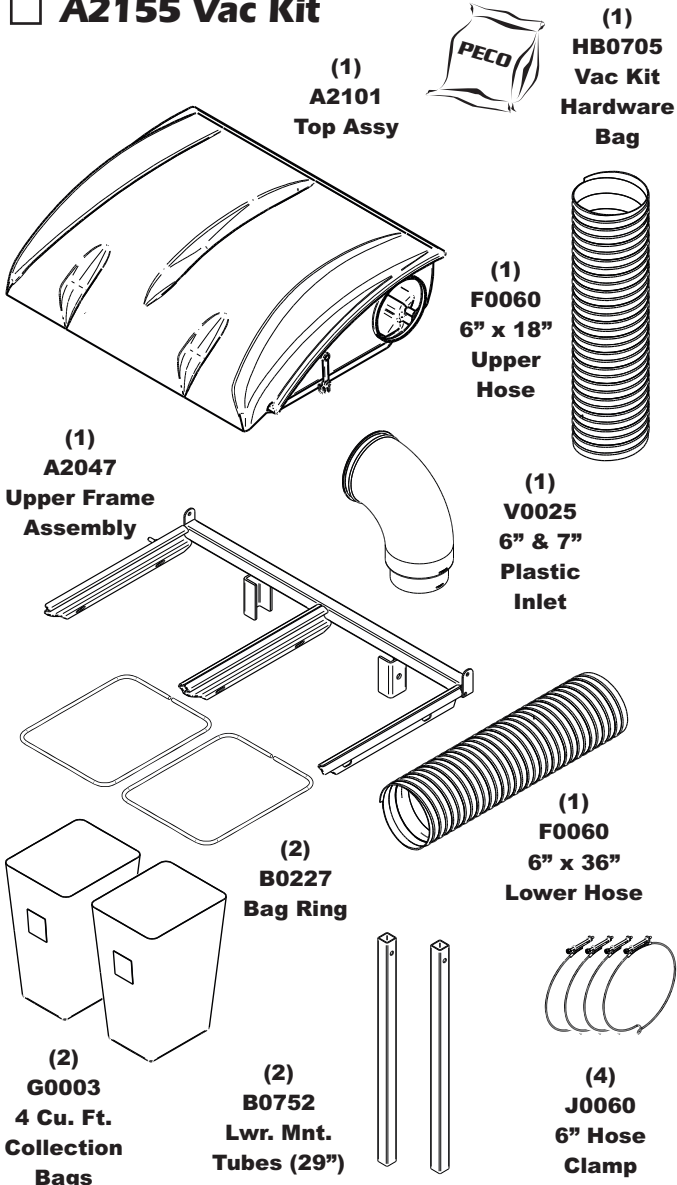
Deck Type:

Drive Type: PTO-R

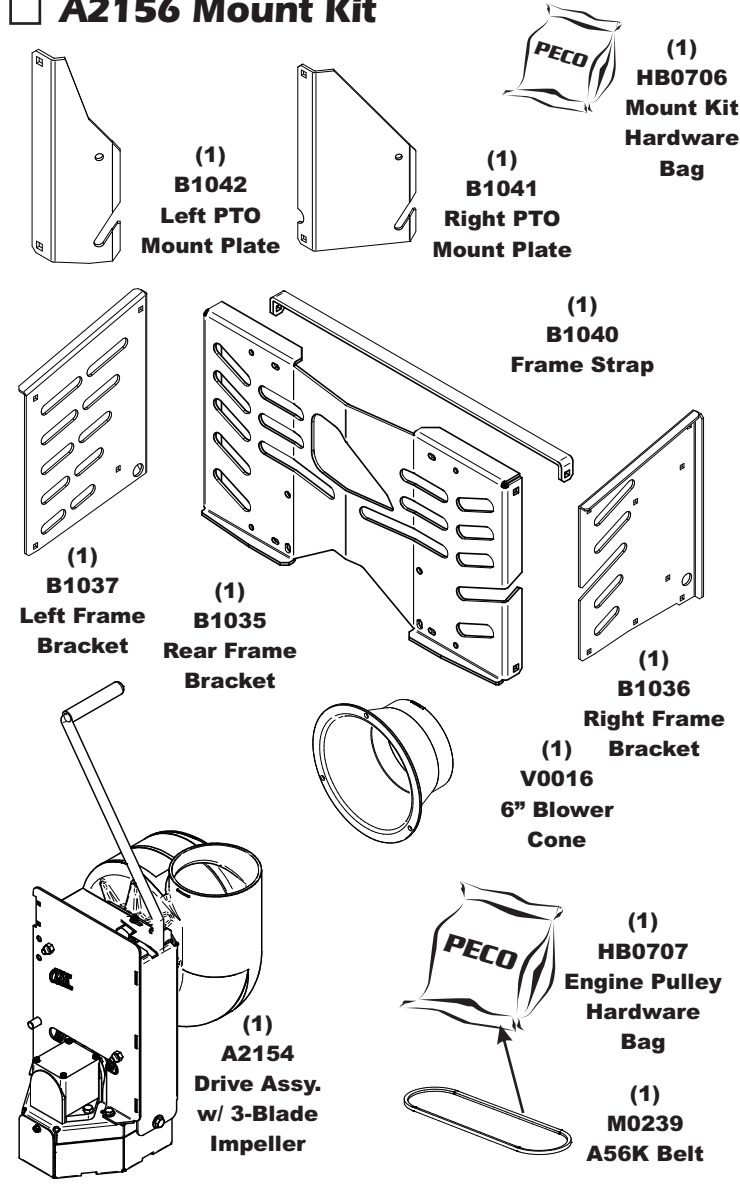
Revision #: 0

Fits Year(s): 2018-Newer

A2155 Vac Kit



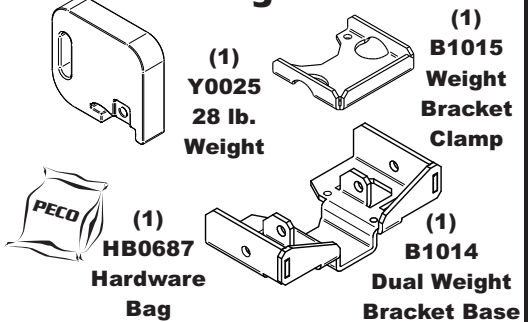
A2156 Mount Kit



A2037 Boot Kit



A2157 Single Weight Kit/ Single Caster



A2157 Single Weight Kit/ Single Caster

