

MODEL#: 22120902

MOWER NAME: TORO

MOWER MODEL: TITAN MX SERIES

MOWER DECK SIZE: 48" 54" AND 60" DECKS

VAC NAME: PRO 2 BAGGER

PTO DRIVEN

MANUAL #Q0405

A1797 UNIT ASSEMBLY

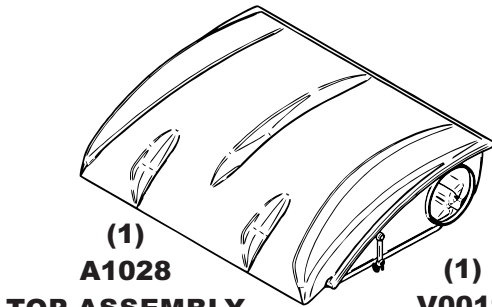


FOR YEAR: 2011 - 2012

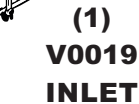
REVISED: 9/25/2013

**FITS
THESE
MOWER
MODELS:**

2011 - 2012 74871 (MX4880) 74872 (MX5480)
& 74873 (MX6080)



(1)
**A1028
TOP ASSEMBLY**



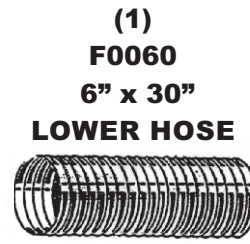
(1)
**V0019
INLET**



(4)
**J0060
6" HOSE
CLAMPS**



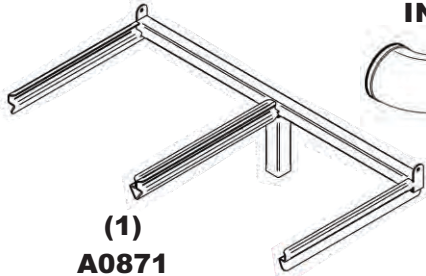
(1)
**F0060
6" x 22"
UPPER HOSE**



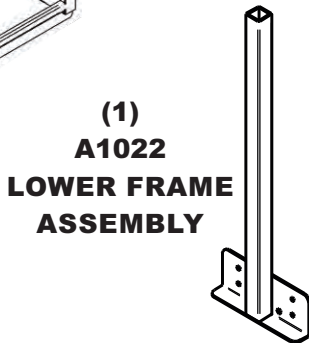
(1)
**F0060
6" x 30"
LOWER HOSE**



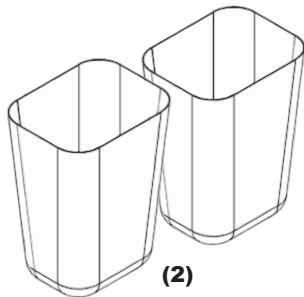
(1)
**HB0442
UNIT
HARDWARE
BAG**



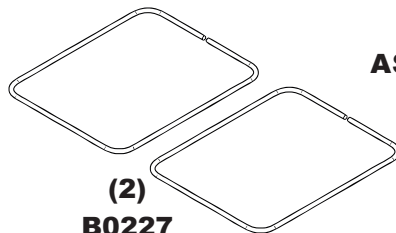
(1)
**A0871
UPPER FRAME
ASSEMBLY**



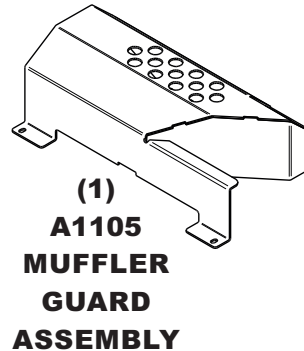
(1)
**A1022
LOWER FRAME
ASSEMBLY**



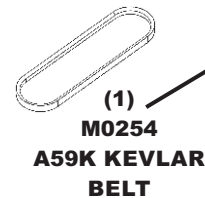
(2)
**G0004
2.9 CU. FT.
COLLECTION
BAGS**



(2)
**B0227
BAG RING**



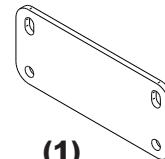
(1)
**A1105
MUFFLER
GUARD
ASSEMBLY**



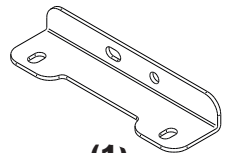
(1)
**M0254
A59K KEVLAR
BELT**



(1)
**HB0443
ENGINE
PULLEY
HARDWARE
BAG**



(1)
**B0608
PTO MOUNT
SPACER**

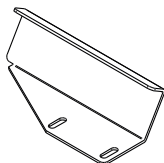


(1)
**B0606
LOWER FRAME
MOUNT**

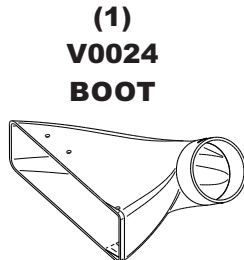
A1781 BOOT KIT



(1)
**HB0418
HARDWARE
BAG**



(1)
**B0605
BOOT
PLATE**



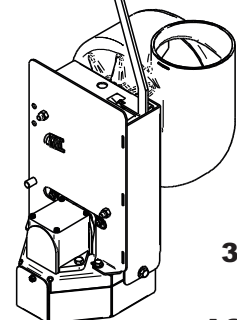
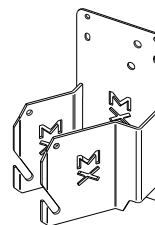
(1)
**V0024
BOOT**



(1)
**V0016
BLOWER
CONE 6"**



(1)
**A1795
PTO MOUNT
ASSEMBLY**



(1)
**A1840
3-BLADE
PTO
ASSEMBLY**