



# Unit Model #: 49651201

Mower: Country Clipper

Owner's Manual: Q0532

Mower Type: Boss XL

Deck Size: 60"

Vac Type: Pro12

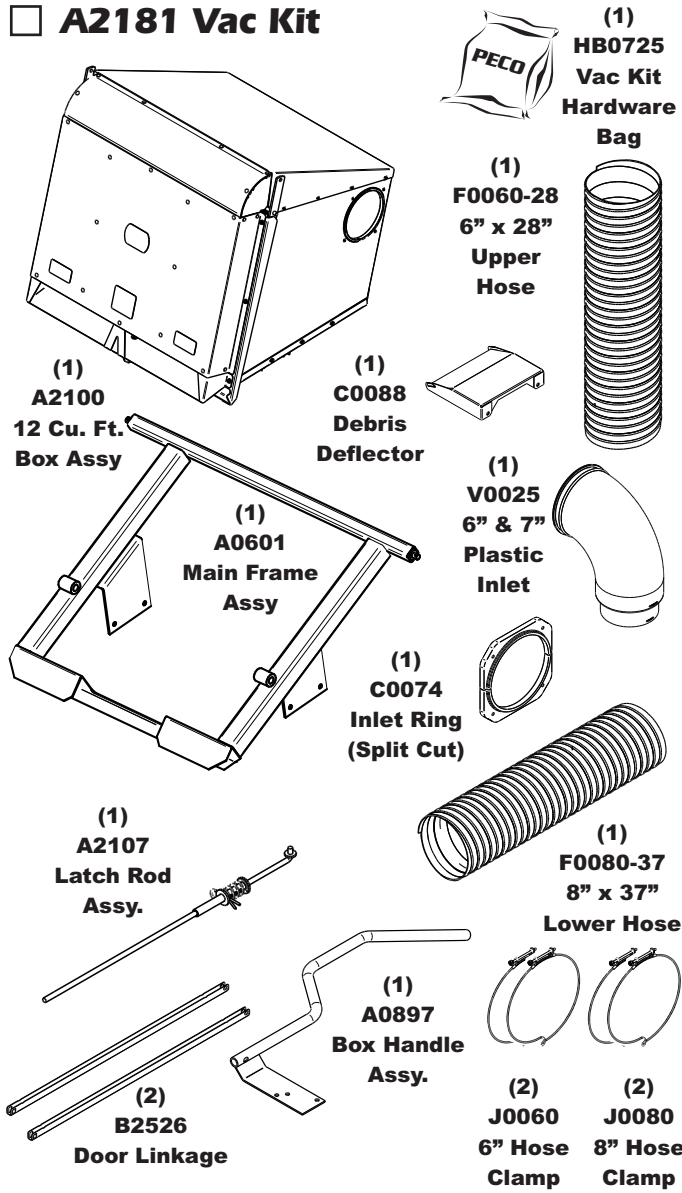
Deck Type:

Drive Type: PTO-X

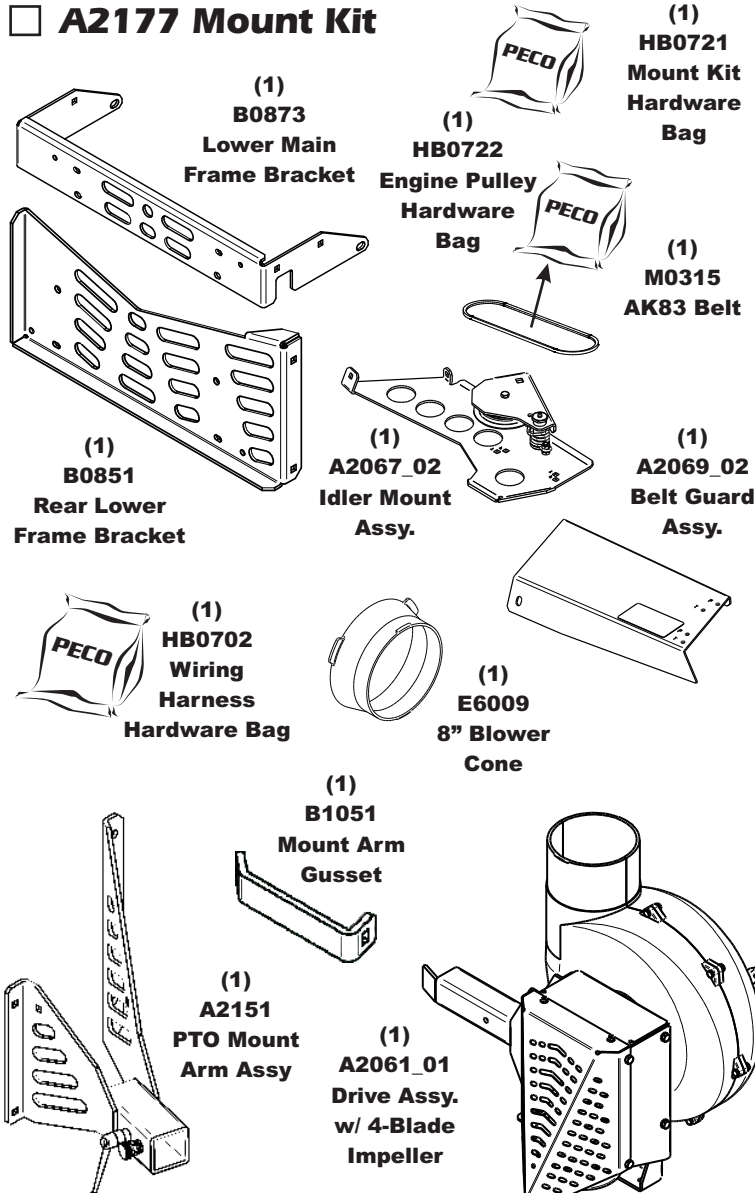
Revision #: 1 - XY (06/2018)

Fits Year(s): 2018-Newer

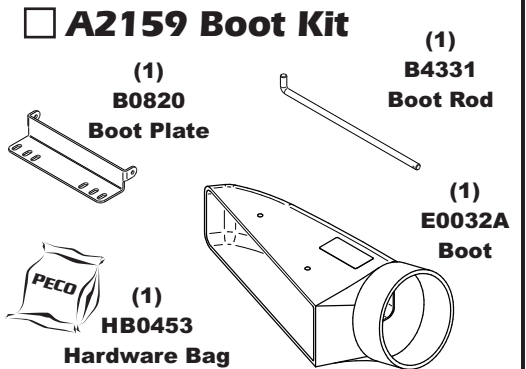
## A2181 Vac Kit



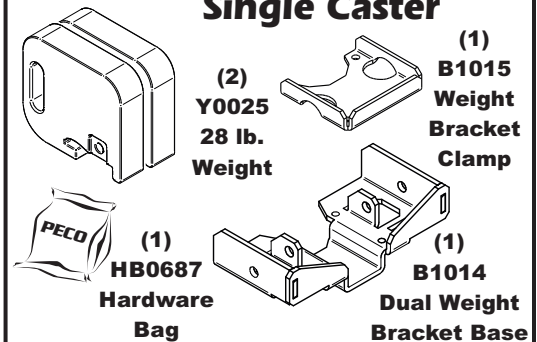
## A2177 Mount Kit



## A2159 Boot Kit



## A2121 Dual Weight Kit / Single Caster



## A2121 Dual Weight Kit / Single Caster

