



Unit Model #: 38621241

Mower: Dixie Chopper

Owner's Manual: Q0505

Mower Type: Classic 3572HP, 3572EFI and 3672BR

Engine Type: KW FX35, BR VAN36 and KH EFI35

Deck Size: 72"

Vac Type: 12 Cu. Ft. Pro 12 DFS

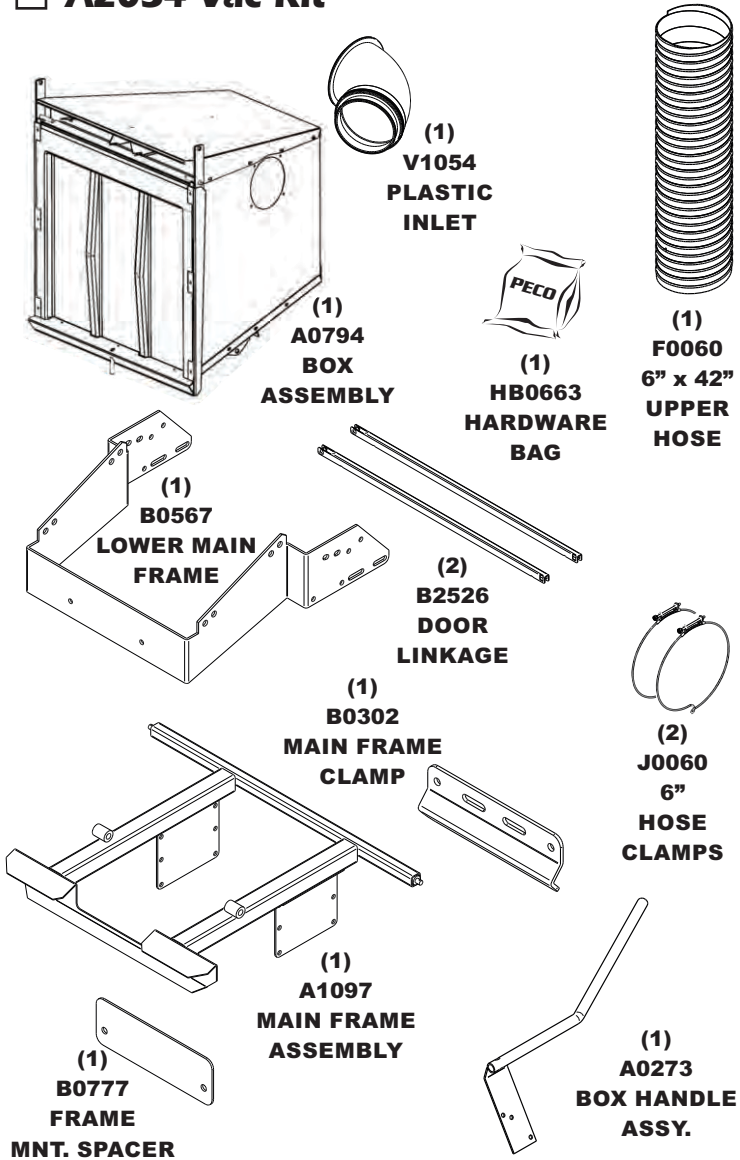
Deck Type:

Drive Type: Briggs & Stratton 6.5HP Vanguard

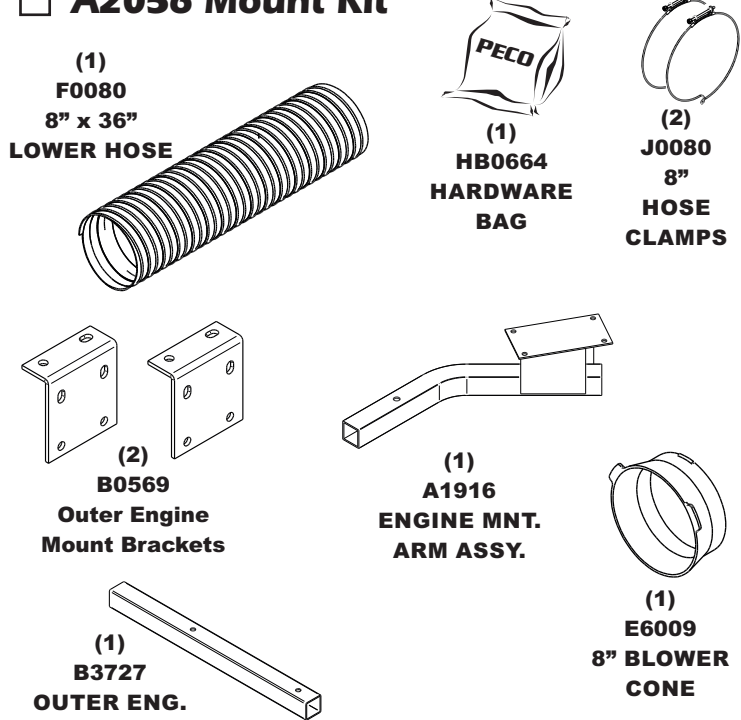
Revision #:

Fits Year(s): 2015-2019

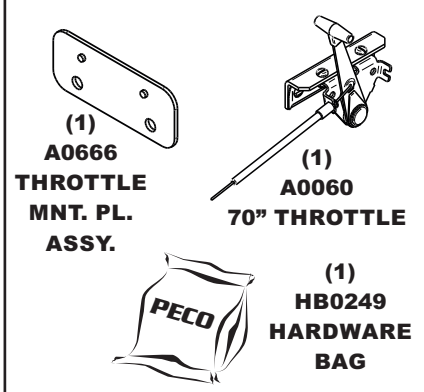
A2054 Vac Kit



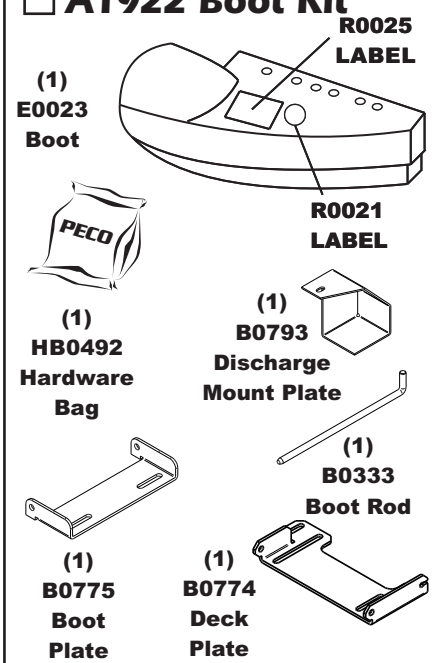
A2056 Mount Kit



A0619 Throttle Kit



A1922 Boot Kit



A1878 Weight Kit

