



Unit Model #: 59A30042150 (21621216)

Mower & Type: Cub Cadet - Tank LZ (54" & 60"), Tank SZ (54" & 60")

Mower Models: Tank LZ - 53AI2PTC050, 53BI2PTD050, 53YI2PTC050, 53YI2PTD050, 53BH2PTD330

Tank SZ - 53AI2PUC050, 53BI2PUD050, 53YI2PUC050, 53YI2PUD050, 53RE2PUD050, 53AI2PUD330

Owner's Manual: Q0466

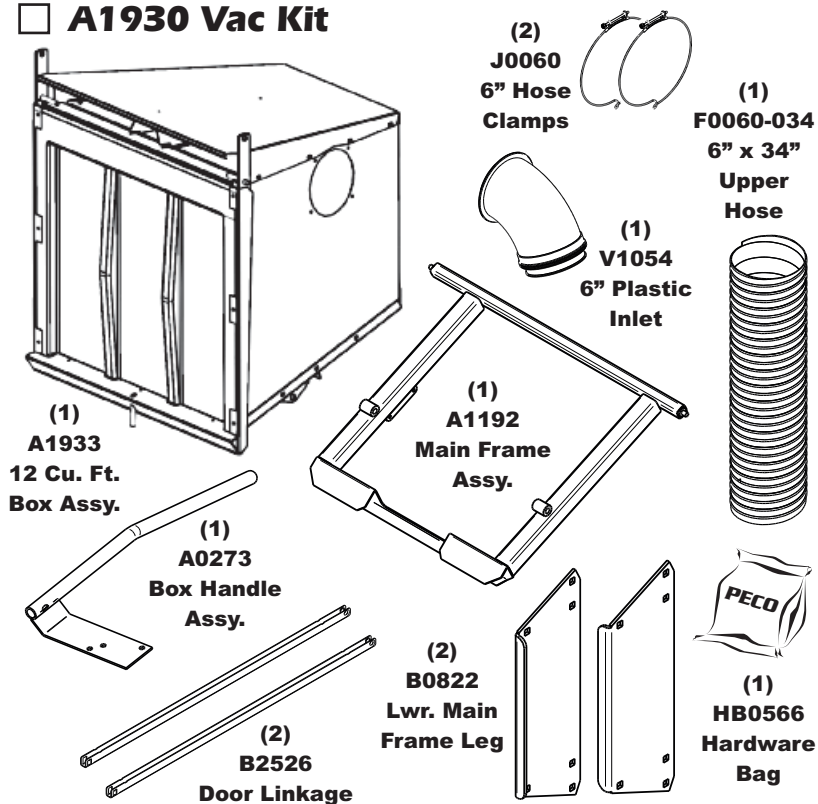
Vac/Drive Type: Pro 12 (12 Cu. Ft.) PTO Driven

Revision #: 3 / Updated Hose P#'s (1/3/2018)

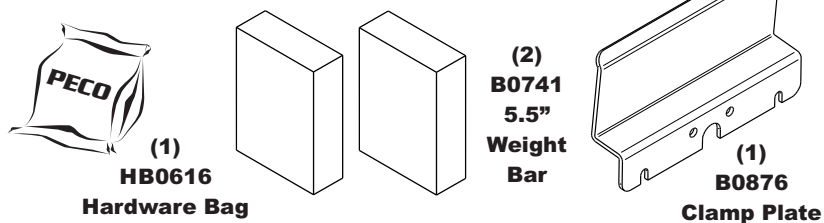
Fits Year(s): 2014-2015

LZ Mowers Require Weight Kit 59A30037150 (A1149) - Not Included On Pack

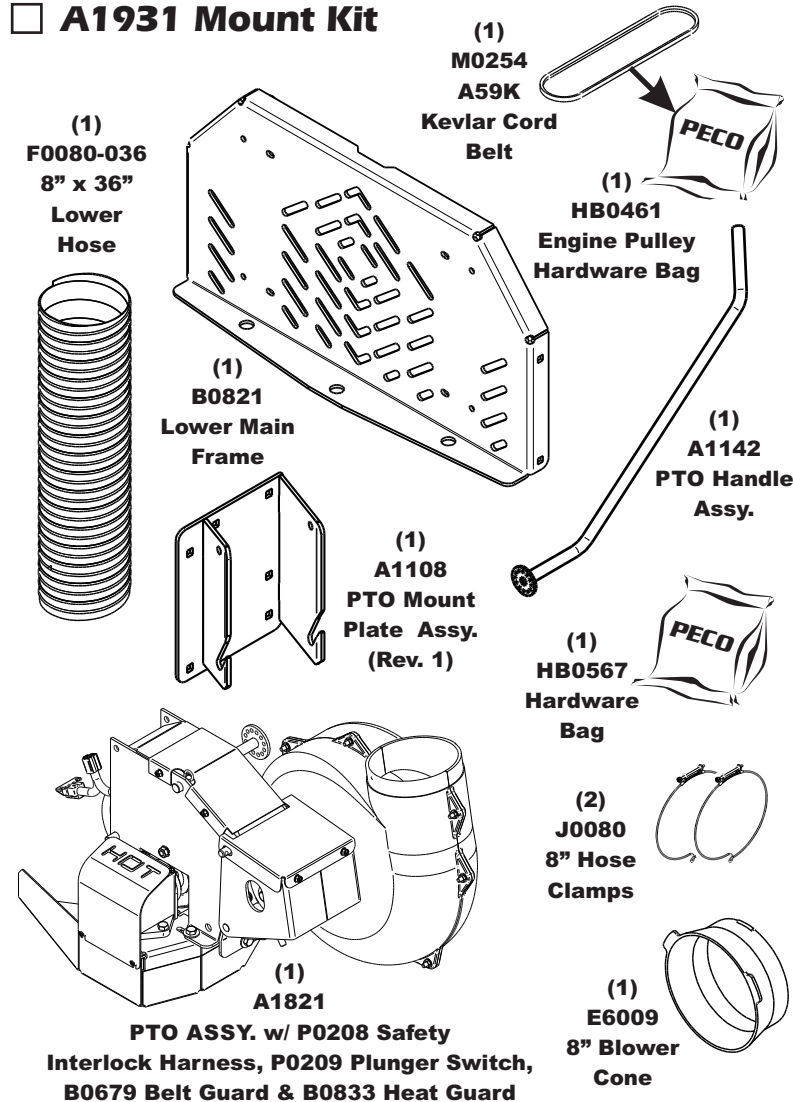
☐ A1930 Vac Kit



☐ A1213 Weight Kit



☐ A1931 Mount Kit



☐ A1964 Boot Kit

