



PTO DRIVEN - GRASS COLLECTION SYSTEM

DESIGNED TO FIT:

MODEL YEAR:
2013-2015

Bush Hog ZT Series

55", 61" & DECKS

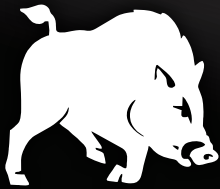
Professional • Estate Comm.

MODEL #

47131504

MODEL #

47131503



BUSH HOG®

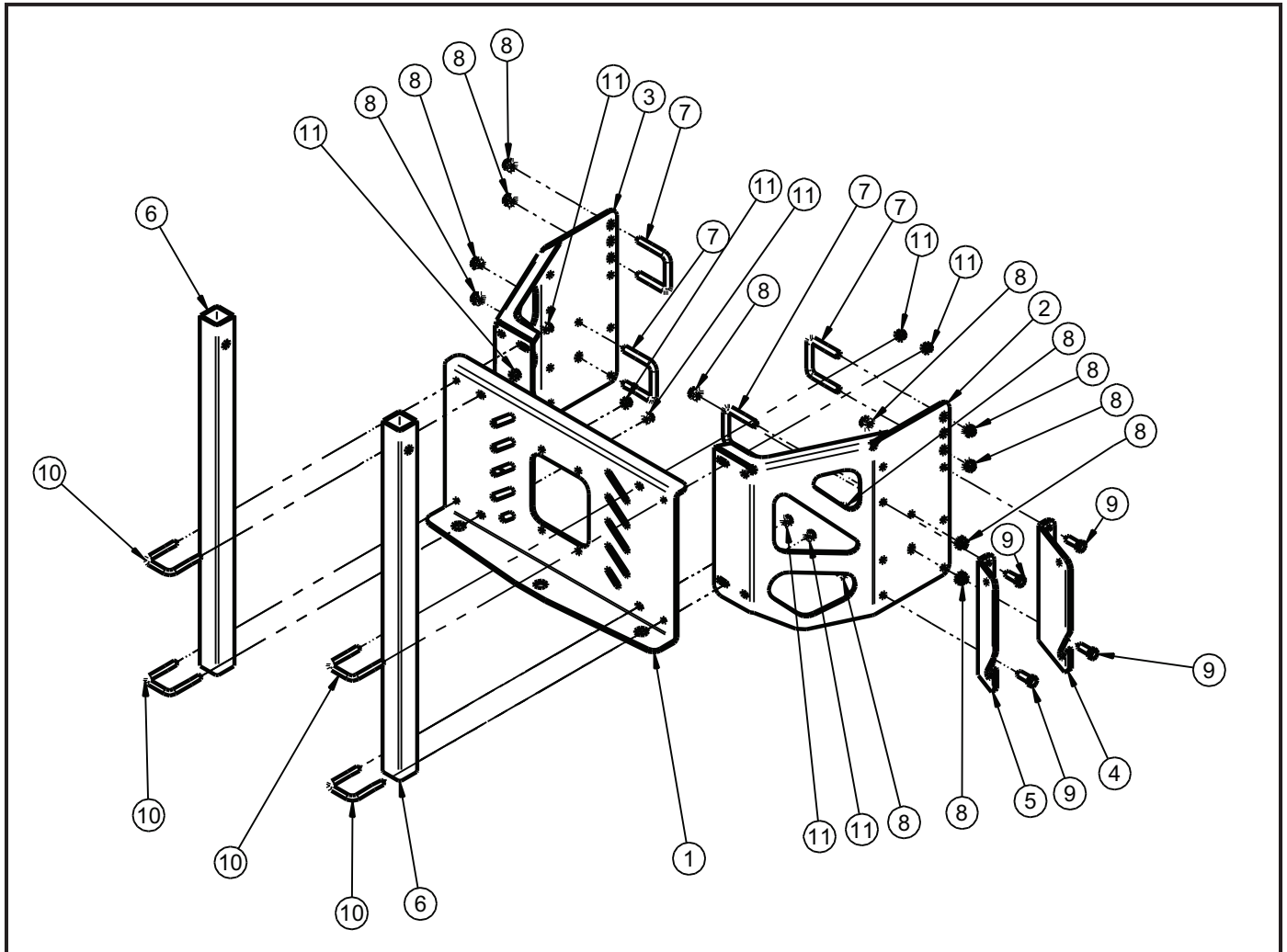
Performance You Can Count OnSM

OPERATOR'S MANUAL

• ASSEMBLY •

Rear mount plate and PTO mount plate Assembly

Item #	Part #	Desc.	Qty.
1	B0844	Rear Frame Brkt.	1
2	B0845	Right Frame Brkt.	1
3	B0846	Left Frame Brkt.	1
4	B0847	Right PTO Mnt. Pl.	1
5	B0848	Left PTO Mnt. Pl.	1
6	B0752	LWR FRAME TUBE	2
7	K0132	U-Bolt / 3/8"-16 x 2.25" x 2.125" / Zinc	4
8	K2038	3/8"-16 Nylon Flange Locknut	12
9	K1191	HHCS / 3/8"-16 x 1" / G5	4
10	K1098	U-Bolt / 5/16"-18 x 2" x 2-1/2"	4
11	K2516	5/16"-18 Nylon Flange Locknut	8



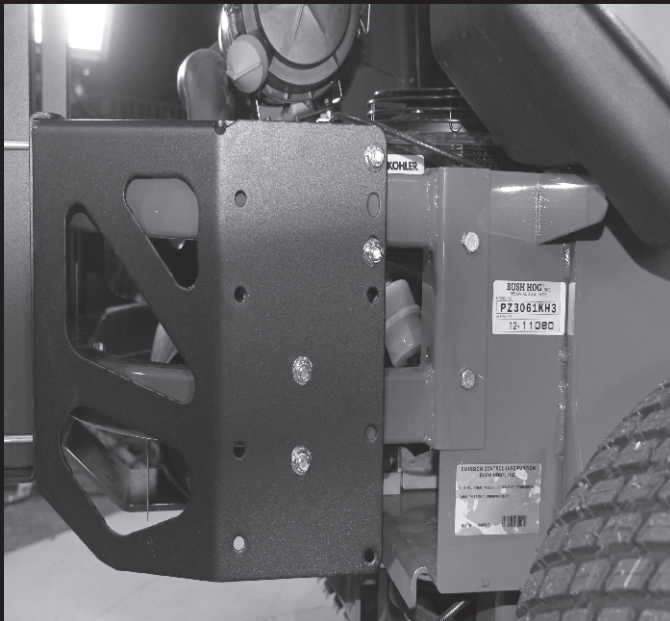
Mower Preparation

Refer to page 6 in the Operation and Maintenance manual for proper clutch preparation and pulley installation.



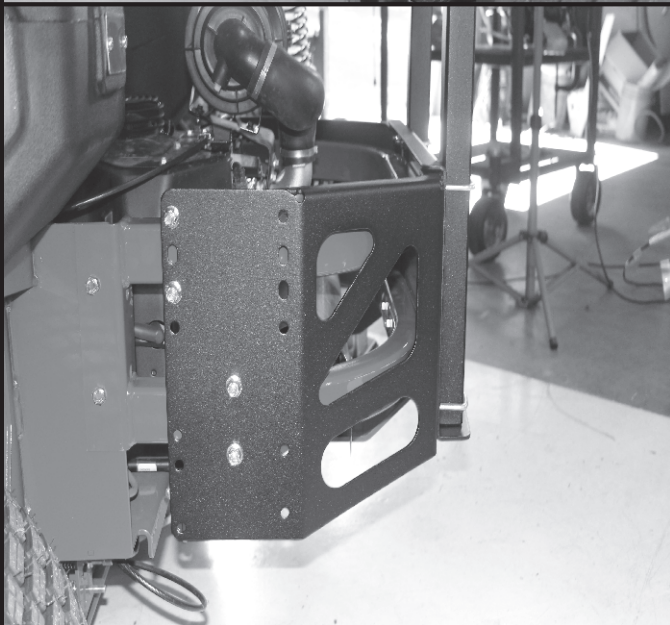
Back Plate Installation

Remove the (4) 3/8-16 x 1" bolts from mower and attach Rear Frame Bracket P#(B0844) to rear of mower using the (4) 3/8-16 x 1" bolts that were removed.



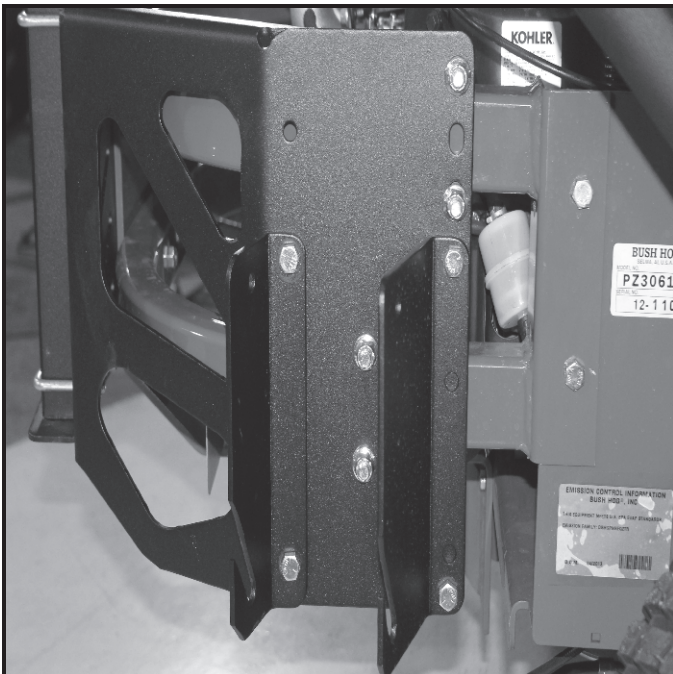
Right Frame Bracket Installation

Attach Right Frame Bracket P#(B0845) to right side of mower using (2) P#(K0132) 3/8-16 x 2.25" U-bolts and (4) P#(K0238) 3/8"-16 nylon flange locknuts.



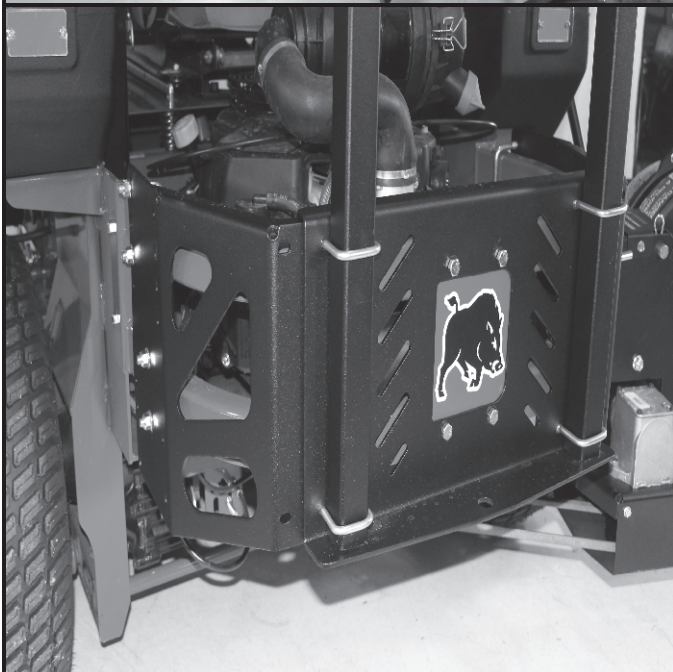
Left Frame Bracket Installation

Attach Left Frame Bracket P#(B0846) to left side of mower using (2) P#(K0132) 3/8-16 x 2.25" U-bolts and (4) P#(K0238) 3/8"-16 nylon flange locknuts.



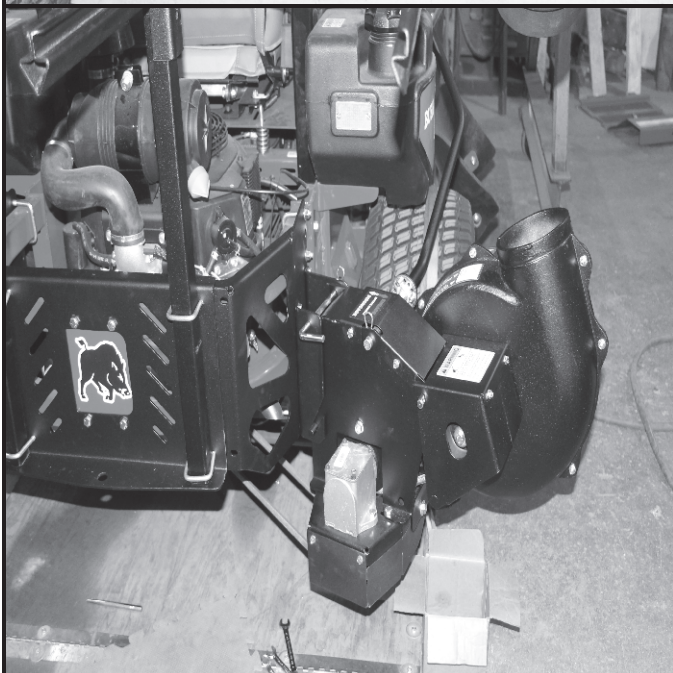
PTO Mount Plates Installation

Attach Left and Right PTO Mount Plates P#(B0847 and B0848) using (4) P#(K1191) 3/8"-16 x 1" HHCS and (4) P#(K2038) 3/8"-16 nylon flange locknuts as shown.



Lower Frame Tube Installation

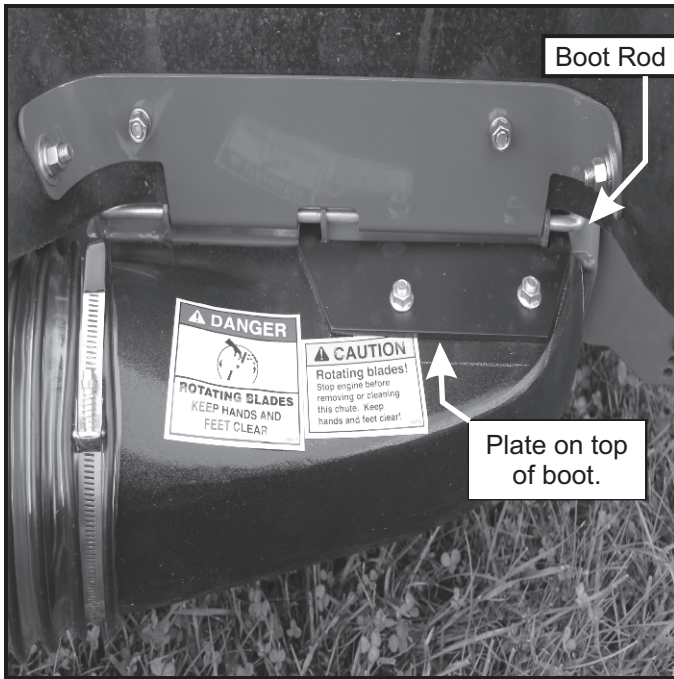
Attach both Lower Frame Tubes P#(B0752) using (4) P#(K1098) 5/16"-18 x 2.5" U-bolts and (8) P#(K2516) 5/16"-18 nylon flange locknuts through both plates on outside holes and only the back plate on the inside holes.



PTO Assembly Installation

Insert the PTO Assembly P#(A1950) into the slots on the PTO mount plate assembly. Secure the PTO assembly with (1) P#(B0274) mount pin and (1) P#(K0086) hair pin clip.

In preparation for the belt installation, remove the belt guard from P#(A1950). Refer to maintenance manual for belt installation and adjustments.



Boot Rod

Plate on top of boot.

Installation of Boot

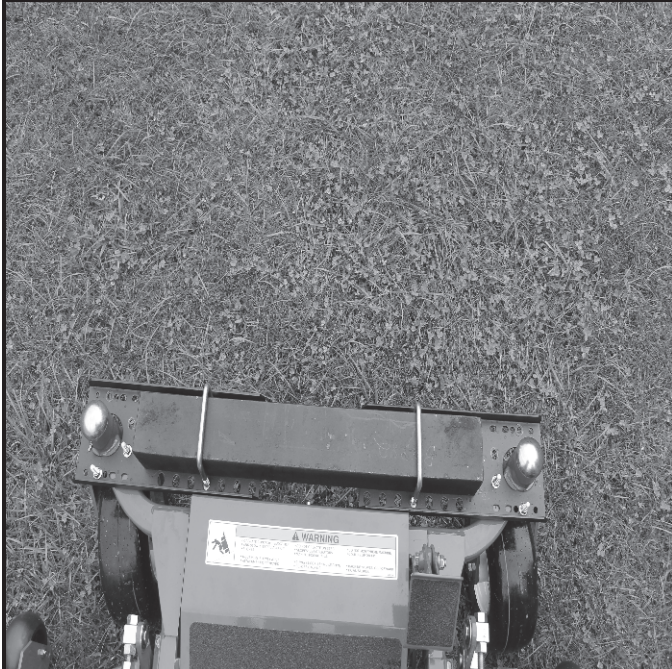
Remove cotter pins and existing rod from top of the grass chute. Bolt boot plate P#(B0850) onto top of boot P#(E0020M) using (2) P#(K1182) 3/8"-16 x 1" carriage bolts and (2) P#(K2038) 3/8"-16 nylon flange locknuts. Place boot on mower deck as shown and insert boot rod P#(B0348) provided and hair pin clip P#(K0099) to secure in place.

Weight Kit Installation

Install weight brackets on each side of the front of the mower by placing bracket P#(B0026) on front caster frame. Secure using (1) P#(K0136) 3/8"-16 x 2.562 x 3.50 U-bolt and (2) P#(K2038) 3/8"-16 nylon flange lock nuts on each bracket. Place P#(B0382) 30" Weight Bar centered across the front of the mower on the brackets and secure using (2) P#(K0331) 1/2"-13 x 4.312 x 4.25 U-Bolts and (4) P#(K2012) 1/2"-13 nylon flange locknuts.

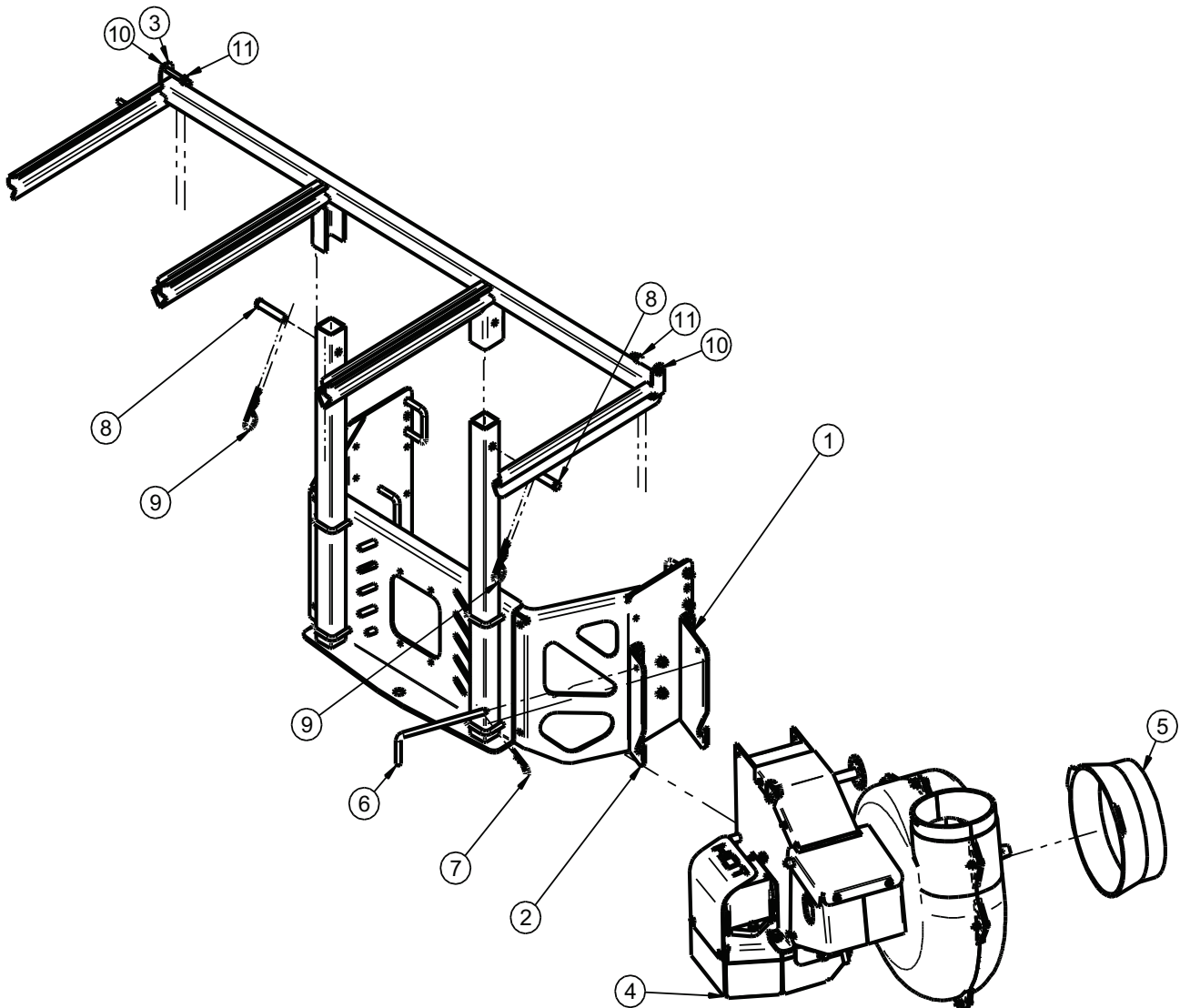
Attach Hoses

Refer to the operation and maintenance manual for hose sizing and attachments.



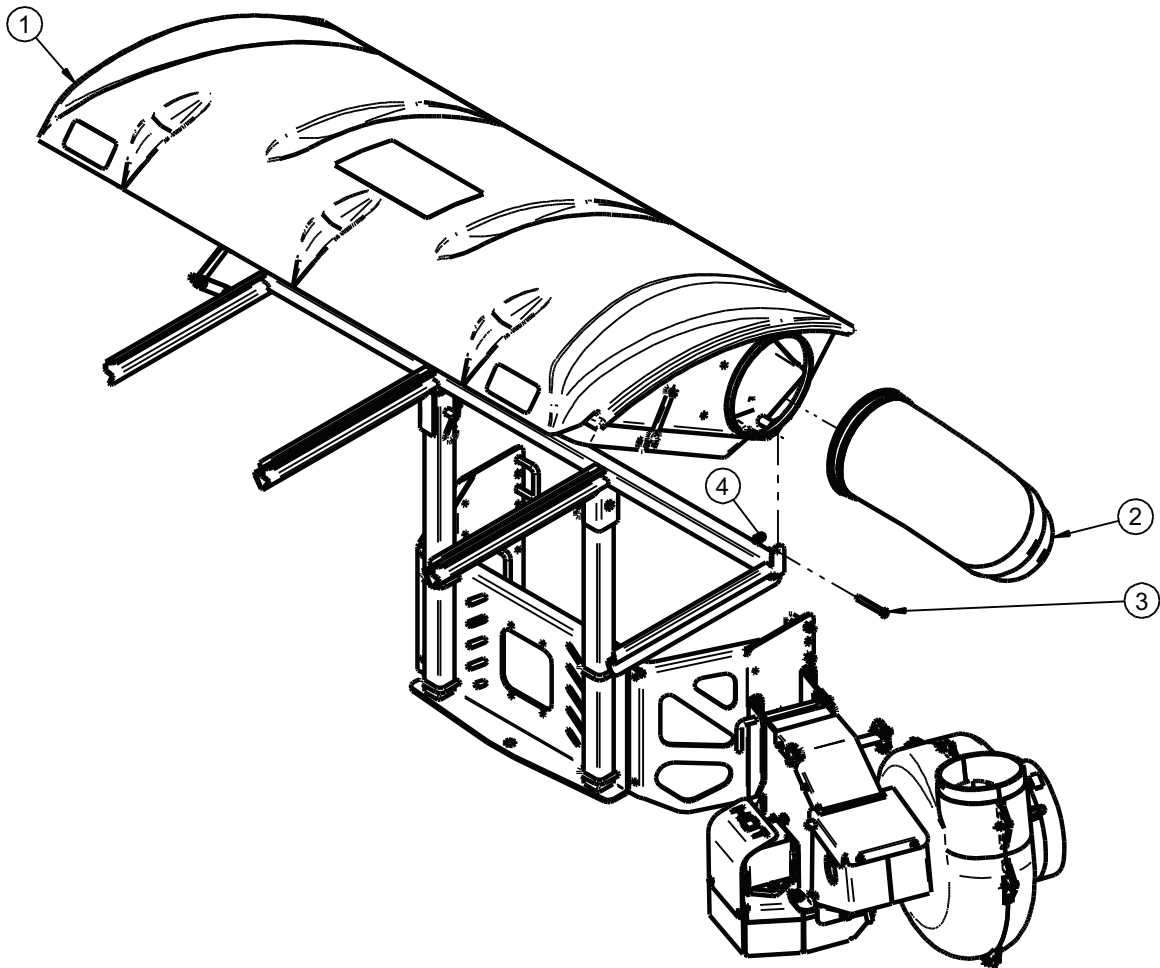
Upper Frame Assembly and PTO Assembly

Item #	Part #	Desc.	Qty.
1	B0847	Right PTO Mnt. Pl.	1
2	B0848	Left PTO Mnt. Pl.	1
3	A1058	UPPER FRAME ASSY	1
4	A1950	PTO Assy / Heat Guard	1
5	E6009	8" BLOWER CONE	1
6	B0274	PTO Assy. Mnt. Pin	1
7	k0086	Hair Pin Clip .125 OD x 2.50	1
8	K0133	Clevis Pin 1/2" x 2-1/2"	2
9	K0088	Hair Pin Clip 5/32" x 2-5/8" L	2
10	K0125	5/16"-18 x 2-1/2" ALL THREAD HHCS	2
11	K2516	5/16"-18 Nylon Flange Locknut	2



Top Assy. and Inlet Installation

Item #	Part #	Desc.	Qty.
1	A1158	Pro 3 Top Assembly w/ Dual Latch	1
2	V0025	INLET	1
3	K0125	5/16"-18 x 2-1/2" ALL THREAD HHCS	2
4	K2516	5/16"-18 Nylon Flange Locknut	2





Pack Drawing

Bush Hog - ZT Professional Series, ZT Estate Commercial Series & ZT Estate Series

Owner's Manual: Q0489(PZ & EC) & Q0499(ES)

Vac/Drive Type: P3B (15 Cu. Ft.) PTO Driven

Revision #: Initial Release (8/18/2014)

Fits Year(s): 2013-2015

47131504 (PZ Series)

HB0636 Engine Pulley Kit



M0249
4L620DWK (A60K)
Kev. Cord Belt

HB0637 Engine Pulley Kit



M0261
4L630DWK (A61K)
Kev. Cord Belt

HB0638 Engine Pulley Kit



M0255
4L560DWK (A54K)
Kev. Cord Belt

47131503 (EC Series)

HB0637 Engine Pulley Kit



M0261
4L630DWK (A61K)
Kev. Cord Belt

HB0638 Engine Pulley Kit



M0255
4L560DWK (A54K)
Kev. Cord Belt

47131502 (ES Series)

HB0636 Engine Pulley Kit



M0249
4L620DWK (A60K)
Kev. Cord Belt

HB0637 Engine Pulley Kit



M0261
4L630DWK (A61K)
Kev. Cord Belt

HB0638 Engine Pulley Kit

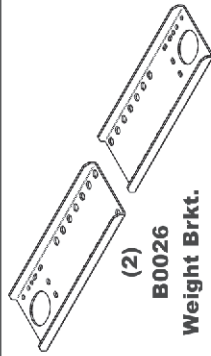


M0255
4L560DWK (A54K)
Kev. Cord Belt

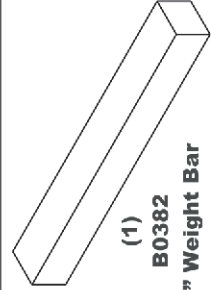
A2006 Weight Kit



(1)
HB0639
Hardware
Bag



(2)
B0026
Weight Brkt.



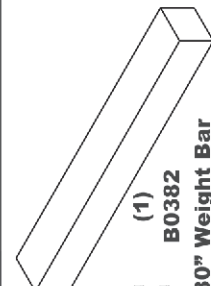
(1)
B0382
30" Weight Bar



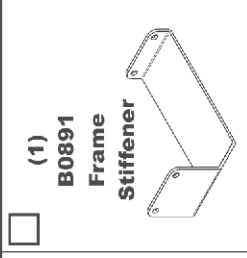
(1)
HB0229
Hardware
Bag



(1L, 1R)
B0383
Left & Right
Weight Brkt.



(1)
B0382
30" Weight Bar

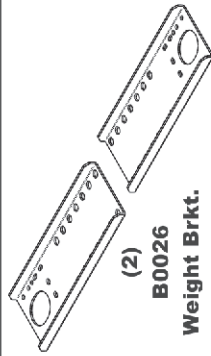


(1)
B0891
Frame
Stiffener

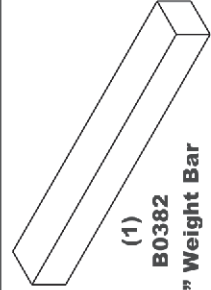
A2007 Weight Kit



(1)
HB0639
Hardware
Bag



(2)
B0026
Weight Brkt.



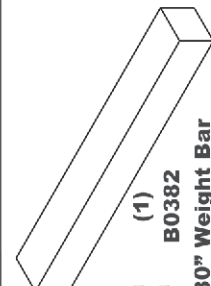
(1)
B0382
30" Weight Bar



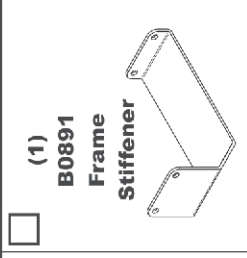
(1)
HB0229
Hardware
Bag



(1L, 1R)
B0383
Left & Right
Weight Brkt.

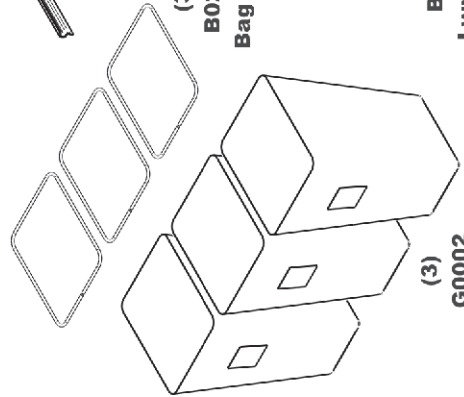


(1)
B0382
30" Weight Bar

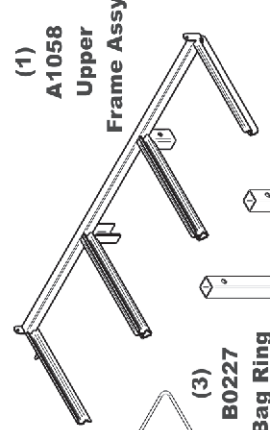


(1)
B0891
Frame
Stiffener

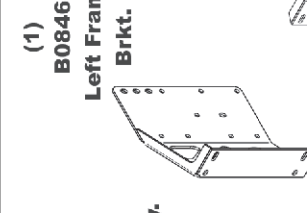
A2008 P3B PTO Universal Kit



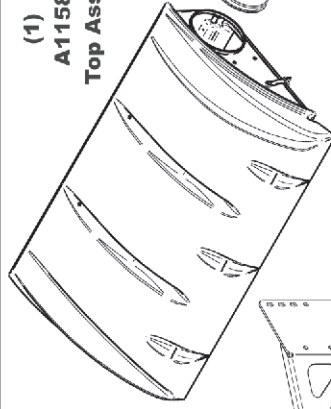
(3)
G0002
3.3 Cu. Ft. Collection Bags



(1)
A1058
Upper
Frame Assy.



(1)
B0846
Left Frame
Brkt.



(1)
A1158
Top Assy.



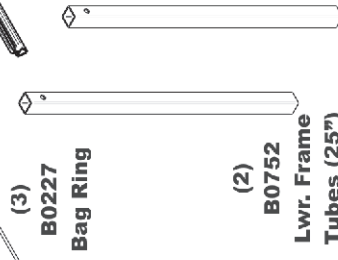
(1)
A0626
PTO
Handle
Assy.



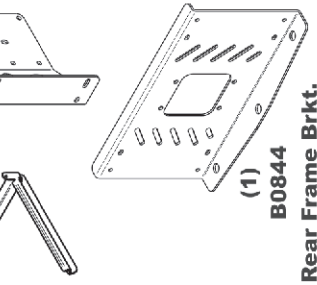
(1)
HB0640
Hardware
Bag



(3)
B0227
Bag Ring



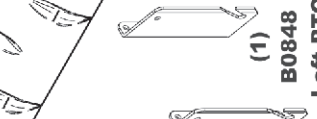
(2)
B0752
Lwr. Frame
Tubes (25")



(1)
B0844
Rear Frame Brkt.



(1)
B0845
Right Frame
Brkt.



(1)
B0848
Left PTO
Mnt. Pl.



(1)
B0847
Right PTO
Mnt. Pl.



(1)
F0060
6" x 24"
Upper
Hose



(2)
J0080
8" Hose
Clamps



(1)
F0080
8" x 36"
Lower Hose



(1)
E6009
8" Blower
Cone

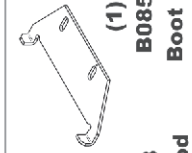


(2)
J0060
6" Hose
Clamps

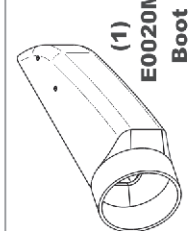
A2009 Boot Kit



(1)
HB0239
Hardware
Bag



(1)
B0348
Boot Rod



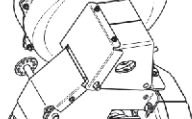
(1)
B0850
Boot Pl.



(1)
M0250
Kev. Cord Belt



(1)
A1950
PTO Assy.



(1)
M0250
4L320DWK (A30K)

Notes:



New PECO, Inc.

100 Airport Road | Arden, North Carolina 28704

Phone: 1-800-438-5823 | 828-684-1234

Fax: 828-684-0858

Email: peco@lawnvac.com

Website: www.lawnvac.com