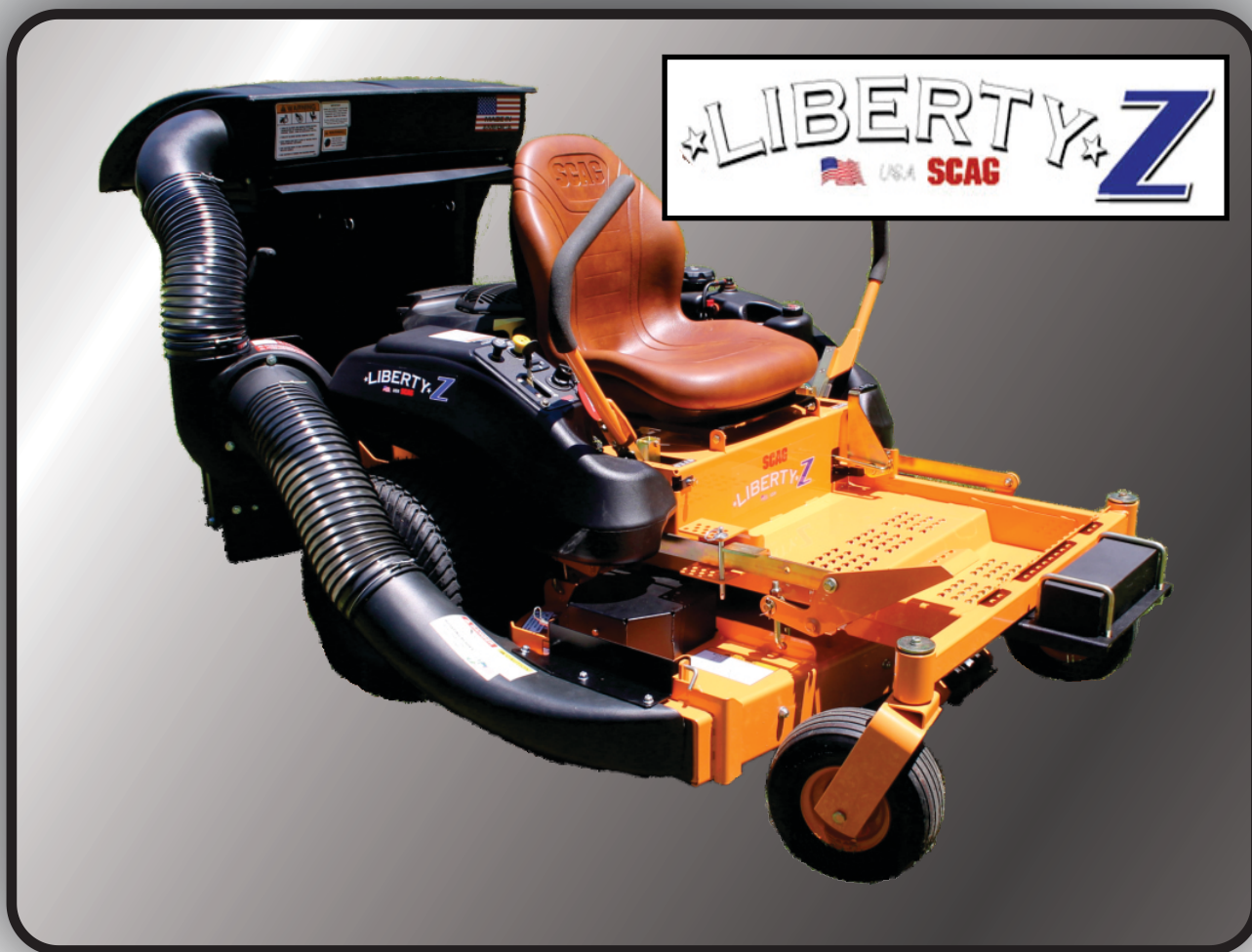




# PRO 2 BAGGER+ GRASS COLLECTION SYSTEM

PECO MODEL#:  
37120903 & 37120904

## SCAG LIBERTY Z



# OPERATOR'S MANUAL

ASSEMBLY ● OPERATION ● MAINTENANCE

# RESIDENTIAL BAGGING SYSTEM

## TABLE OF CONTENTS

SECTION	PAGE	SECTION	PAGE
Safety	2	Impeller Blade Removal and Replacement	12
Safety Alert Symbols	3	Boot To Mower Deck Installation	13
Warranty	4	Length of Hose Adjustment	14
<b>I INTRODUCTION AND DESCRIPTION</b>	<b>5</b>	Upper Hose Installation	14
Introduction	5	Lower Hose To Blower Cone Installation	14
Description	5	Lower Hose To Boot Installation	14
<b>II INSTALLATION FOR USE</b>	<b>5</b>	Weight Kit Installation	15
Preparation Of Mower	5-6	Installation and Removal of Collection Bags	16
Muffler Guard and Back Frame Plate Installation	7	<b>III OPERATING INSTRUCTIONS</b>	<b>17</b>
Right & Left Lower Frame Plate Installation	7	General Safety	17
Left PTO Mount Plate Installation	7	Operation & Tips On Mowing	17
Lower Mount Tube Installation	7	Disengagement Of The PTO Assembly	17
PTO Stop Plate Installation	8	Unloading The Collection System	17
Upper Frame Assembly Installation	8	<b>IV MAINTENANCE</b>	<b>17</b>
Top Assy. To Upper Frame Assy. Installation	8	Maintenance Checklist	17
PTO Assembly Installation	9	Lubrication	18
Hinge Kit Installation	9	<b>V PARTS AND SERVICE</b>	<b>18</b>
Belt Removal and Adjustment	10-11	Parts And Service Information	18
Blower Cone Installation	12	Pack Drawings	19-20
		Exploded Views And Parts List	21-24
		Safety Decals	25
		Torque Specifications	26

## SAFETY

1. Read the operator's manual carefully and familiarize yourself with the proper use of your attachment. Do not allow anyone who is not acquainted with the Safety Instructions to use your attachment.
2. Know the controls and how to stop them quickly. **READ THE OPERATOR'S MANUAL!**
3. Do not allow children to operate the machine. Do not allow adults to operate it without proper instruction.
4. Be especially watchful of children and pets entering into the area while operating.
5. Keep your eyes and mind on your machine while mowing or operating your attachment. Don't let others distract you.
6. Do not attempt to operate your machine when not in the driver's seat.
7. Always shut off blades and engine when emptying the container.
8. Stop machine, shut off deck attachment, set parking brake, shut off engine and remove ignition key before removing clogs, removing or replacing hose, boot, blower cone, or performing any maintenance.
9. Mow across the face of slopes (not more than 10 degrees); never up and down the face.
10. It is recommended that the container be emptied when half full while operating on slopes. Start mowing on slopes when the container is empty.
11. Inspect your lawn and remove any foreign objects before mowing. Never deliberately run the mower across any foreign object.
12. Wear hearing protection.
13. Wear eye protection to prevent debris from getting into your eyes.

# SAFETY

**WARNING!** NEVER operate the mower unless the discharge guard and either the deflector assembly or the vacuum collector adapter are fastened securely in place.

**WARNING!** Do not work around the mower deck boot or the blower area until you are certain that the mower blades and the blower impeller have stopped rotating.

**WARNING!** To avoid serious injury, perform maintenance on the vacuum collector; **ONLY AFTER STOPPING THE MOWER'S ENGINE AND WAITING FOR ALL MOVING PARTS TO COME TO A COMPLETE STOP.** Set the parking brake. Always remove the ignition key before beginning maintenance.

**WARNING!** For your own personal safety, **ALWAYS mow ACROSS the face of slopes and NEVER UP and DOWN the face. NEVER attempt to mow excessively steep slopes, and use caution when turning on any slope.**

## Safety Alert Symbol



This Safety Alert Symbol means: **“ATTENTION! BECOME ALERT! YOUR SAFETY IS INVOLVED!”**

This symbol is used to call attention to safety precautions that should be followed by the operator to avoid accidents. When you see this symbol, carefully read the message that follows and heed its advice. Failure to comply with safety precautions could result in death or serious bodily injury.

## Safety Signs

The signal words **DANGER**, **WARNING**, and **CAUTION** are used on the equipment safety signs. These words are intended to alert the viewer to the existence and the degree of hazard seriousness.



White letters on **RED**

This signal word indicates a potentially hazardous situation which, if not avoided, will result in death or serious injury.



Black letters on **ORANGE**

This signal word indicates a potentially hazardous situation which, if not avoided, could result in death or serious injury.

It may also be used to alert against unsafe practices.



Black letters on **YELLOW**

This signal word indicates a potentially hazardous situation which, if not avoided, will result in minor or moderate injury.

It may also be used to alert against unsafe practices.

# PECO LIMITED WARRANTY FOR NEW PRODUCTS

---

## A. WHAT IS UNDER WARRANTY?

PECO extends the following warranties to the original purchaser of each new PECO consumer product subject to the following limitations.

- 1. PRODUCT WARRANTY:** Any part of any consumer product, which is defective in material or workmanship as delivered to the purchaser will be repaired or replaced, as PECO elects, without charge for parts or labor, if the defect appears within 12 months from the date of delivery of the product to the original purchaser. ALL DEFECTIVE PARTS MUST BE RETURNED TO PECO FOR INSPECTION TO DETERMINE VALIDITY OF WARRANTY CLAIMS. Freight and mailing will be borne by the customer.
- 2. PARTS REPLACED DURING WARRANTY:** Any new PECO part which is furnished in performance of this warranty and is defective in material or workmanship as delivered to the purchaser will be repaired or replaced, before the expiration of the original warranty period, whichever is later.
- 3. COMMERCIAL USE:** Products put to personal use around a single household or residence is considered 'Residential'; Products put to any business use (agricultural, commercial, or industrial) or used at multiple locations is considered 'Commercial.' Products designated as 'Commercial' are warrantied for 12 months from the date of delivery of the product to the original purchaser when used for in commercial applications. Products designated as 'Residential' are warrantied for 90 days from the date of delivery of the product to the original purchaser when in commercial applications.

## B. SECURING WARRANTY ADJUSTMENTS

Call PECO for Return Authorization. Damaged or broken parts other than engines or batteries, must be returned to New PECO, Inc. at 10 Walden Drive, Arden, NC 28704 before any warranty adjustment can be authorized. At the time of requesting warranty adjustment, the purchaser must present evidence of the date of delivery of the product. The purchaser shall pay any charge for the product to and from Arden, NC.

## C. ITEMS NOT COVERED BY PECO WARRANTY

Engines and batteries attached to PECO products are covered under a separate warranty by the respective manufacturer.

## D. UNAPPROVED ALTERATION OR MODIFICATION

All obligations of New PECO, Inc. under this warranty shall be terminated if products are altered or modified in ways not approved by New PECO, Inc.

## E. ACCIDENTS AND NORMAL MAINTENANCE

The warranty covers only defective material and workmanship. It does not cover depreciation or damage caused by normal wear, accident, improper use or abuse of products. The cost of normal maintenance and normal replacement of service items such as belts, cutting blades, hoses, etc., which are not defective shall be paid for by the purchaser.

## F. NO REPRESENTATIONS ADDITIONAL WARRANTIES, DISCLAIMER

Neither New PECO, Inc. nor any company affiliated with it makes any warranties, representations or promises as to the quality of performance of its products other than those set forth herein. Except as described above, New PECO, Inc. makes no other warranties AND SPECIFICALLY DISCLAIMS ANY AND ALL IMPLIED WARRANTIES OF FITNESS AND MERCHANTABILITY.

## G. PRODUCTS USED FOR RENTAL OR LEASE PURPOSES ARE WARRANTIED FOR 45 DAYS FROM DATE OF ORIGINAL SALE ONLY

## H. REMEDIED EXCLUSIVE

The only remedies the purchaser has in connection with the breach or performance of any warranty on New PECO, Inc. consumer products are set forth above. In no event will PECO be liable for special incidental or consequential damages.

### 1. NO SERVICE CENTER WARRANTY

The selling Service Center makes no warranty on his own on any item warrantied by New PECO, Inc. unless he delivers to purchaser a separate written warranty certificate specifically warranting the item. The dealer has no authority to make any representation or promise on behalf of PECO or to modify the terms of this warranty in any way.

## Section I INTRODUCTION & DESCRIPTION

### Introduction

Your grass collection system has been designed to give you a low maintenance, simple, and effective way to collect the grass clippings from your mower. This manual is provided to give you the necessary instructions to properly mount and operate the collection system on your mower. Please read this manual thoroughly. Understand what each control is for and how to use it. Observe all safety decal precautions on the machine and noted throughout the manual.

**NOTE:** all references made to right, left, front, rear, top or bottom are as viewed from the normal operator's position on the mower.

### Description

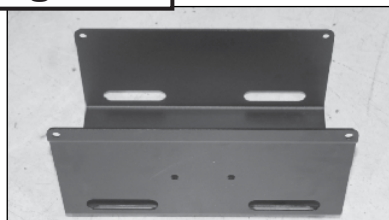
The grass collection system is designed for turf maintenance where there is a need to collect the grass clippings as the mower cuts the turf. It is also used for picking up leaves in pre-season and post-season clean-up. The blower, mounted on the right side of the unit, uses a belt and gearbox system from the engine PTO shaft. Drive train protection comes through belt slippage. The blower draws grass clippings from the discharge area of the cutting deck back to the (2) - 3.3 cubic foot collection bags P#(G0002) at the rear portion of the mower frame. The operator can engage the blower with a spring-lock engagement handle on the right side of the unit. Once the bags are full with clippings, they can be easily released for dumping.

## Section II INSTALLATION FOR USE

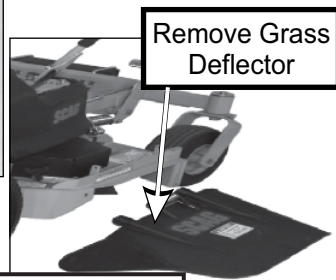
### Preparation Of Mower

Remove the muffler guard (see Figure A) located underneath the back portion of the mower. Keep the (2) 3/8"-16 x 3/4" carriage bolts and (2) 3/8"-16 flange nuts for attaching the modified muffler guard provided at a later time.

**Figure A**

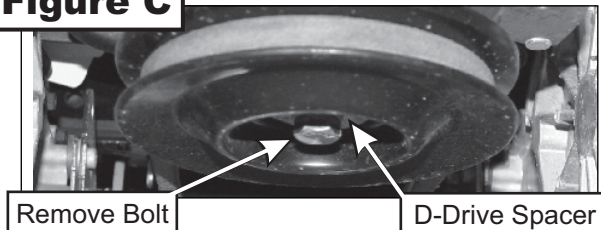


Next, remove grass deflector and hardware from the mower deck as shown in Figure B.



**Figure B**

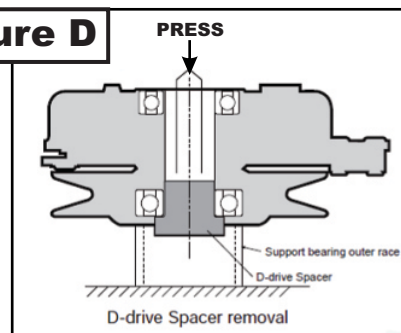
**Figure C**



### Preparation Of Mower

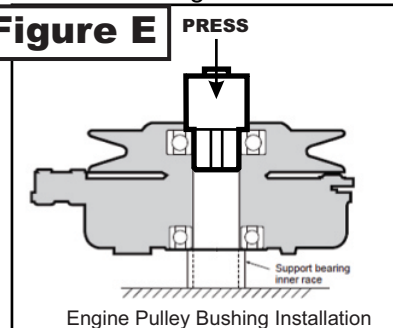
From the underside of the engine, disconnect the wiring harness attached to the electric clutch. Remove the bolt and electric clutch from the mower. Refer to Figure C. Remove the D-drive spacer using an arbor press or equivalent. On removal, adjacent bearing OUTER race must be supported or bearing damage may occur. Refer to Figure D.

**Figure D**

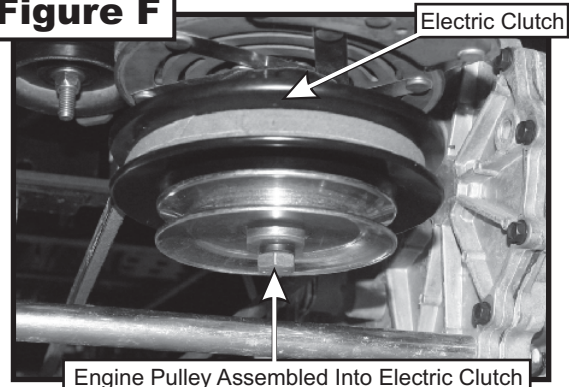


The engine pulley bushing must be installed using an arbor press or equivalent. Upon installation, opposite bearing inner race must be supported or bearing damage may occur. Refer to Figure E.

**Figure E**



**Figure F**

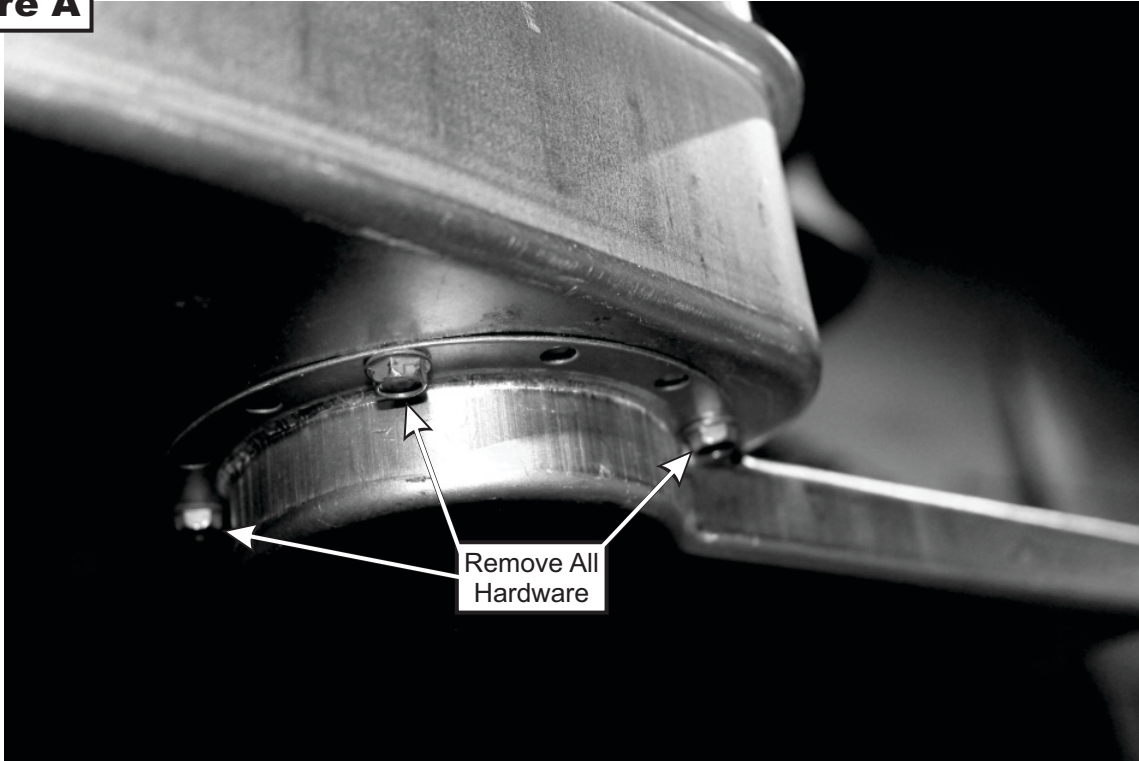


Use engine pulley bushing #19 P#(S0211). Fasten the engine pulley to the electric clutch assembly using (1) Clamp Washer P#(K0278), (1) 7/16" lock washer P#(K0140), and 7/16"-20 x 4" hex bolt P#(K0359). Torque the bolt to 55 ft./lbs. The added pulley will power the collection system and should resemble Figure 2-1d when installed.

## Preparation of Mower - Exhaust Repositioning

The mower's exhaust will need to be repositioned in order to prevent any damages that may occur through the direct transfer of heat from the exhaust. In order to reposition the exhaust, first locate the hardware securing the exhaust in place beneath the rear end of the mower. Refer to Figure A. Remove the hardware and then turn the exhaust 180 degrees so the exhaust's discharge is faced the other way. Refer to Figure B. Secure the exhaust by reusing the hardware previously removed.

**Figure A**



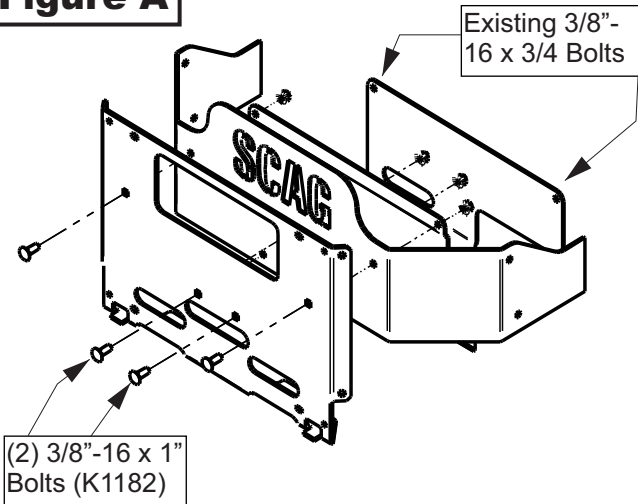
**Figure B**



## Muffler Guard and Rear Mount Plate Installation

Fasten the rear mount plate P#(B0914) and the muffler guard to the rear frame of the mower using (2) 3/8"-16 x 1" carriage bolts P#(K1182), (2) 3/8"-16 x 1-1/4" carriage bolts P#(K1183) and (4) 3/8"-16 nylon flange locknuts P#(K2038). Leave the hardware slightly loose until the heat guard has been fastened using the (2) existing 3/8"-16 x 3/4" carriage bolts and 3/8"-16 flange nuts from the removal of original muffler guard. Refer to Figure A.

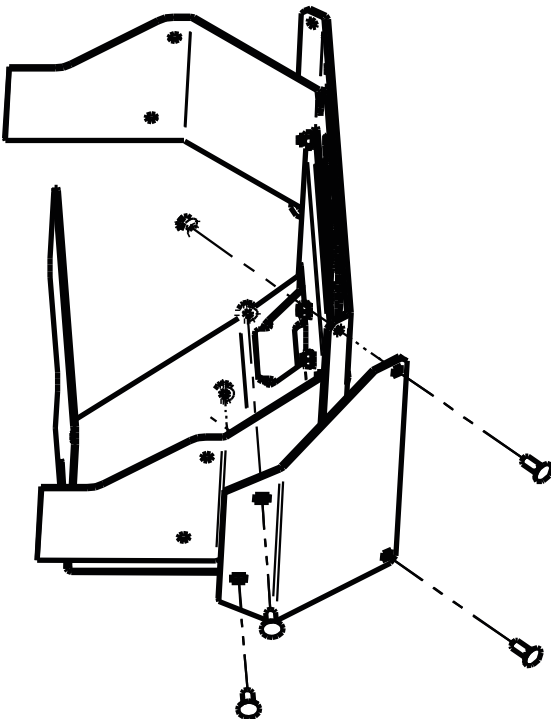
**Figure A**



## Mount Plate Stiffener Installation

Fasten the mount plate stiffener P#(B0923) to the rear frame of the mower using (4) 3/8"-16 x 1" carriage bolts P#(K1182) and (4) 3/8"-16 nylon flange locknuts P#(K2038). See Figure B.

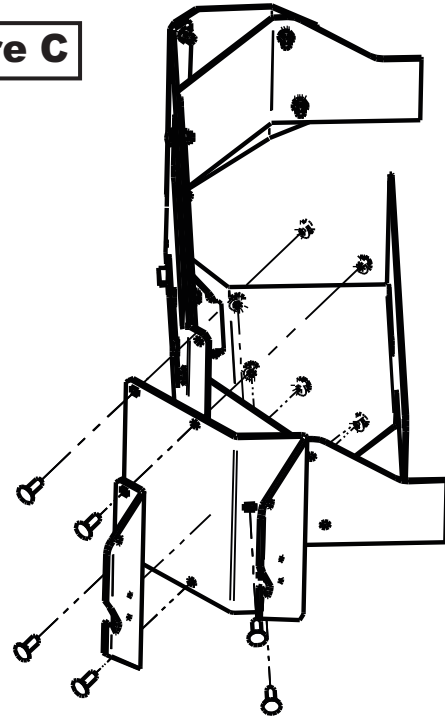
**Figure B**



## Right PTO Mount Plate and Left PTO Mount Plate Installation

Fasten the right PTO mount plate P#(B0916) to the rear mount plate using (4) 3/8"-16 x 1" carriage bolts P#(K1182) and (4) 3/8"-16 nylon flange locknuts P#(K2038). Next, fasten the left PTO mount plate P#(B0917) to the right PTO mount plate using (2) 3/8"-16 x 1" carriage bolts P#(K1182) and (2) 3/8"-16 nylon flange locknuts P#(K2038). See Figure C.

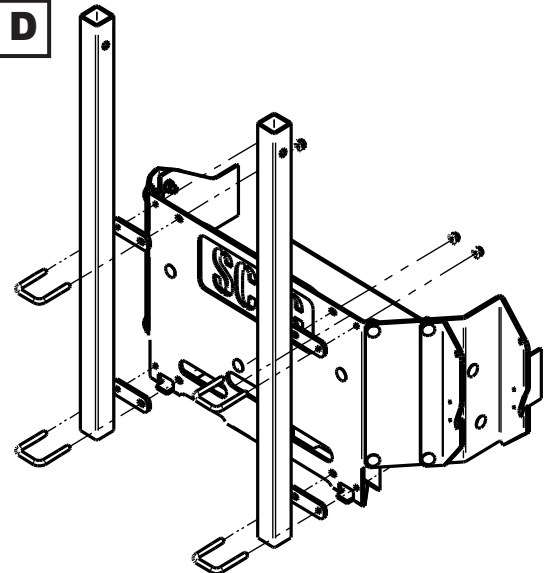
**Figure C**



## Lower Frame Tube Installation

Secure the (2) lower frame tubes P#(B0640) to the rear mount plate using (4) 5/16"-18 u-bolts P#(K1098) and (8) 5/16"-18 nylon flange locknuts P#(K2516) with the (4) spacer plates P#(B0915) between the tubes and back plate. See Figure D.

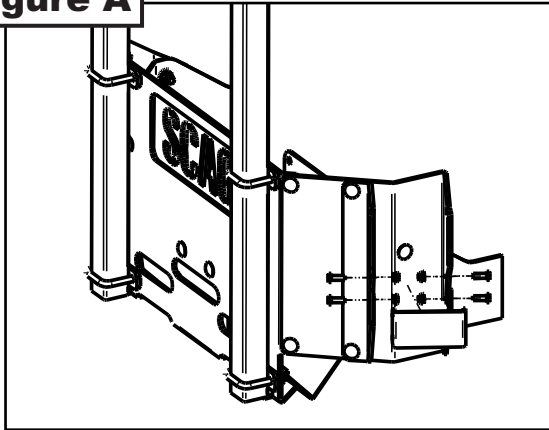
**Figure D**



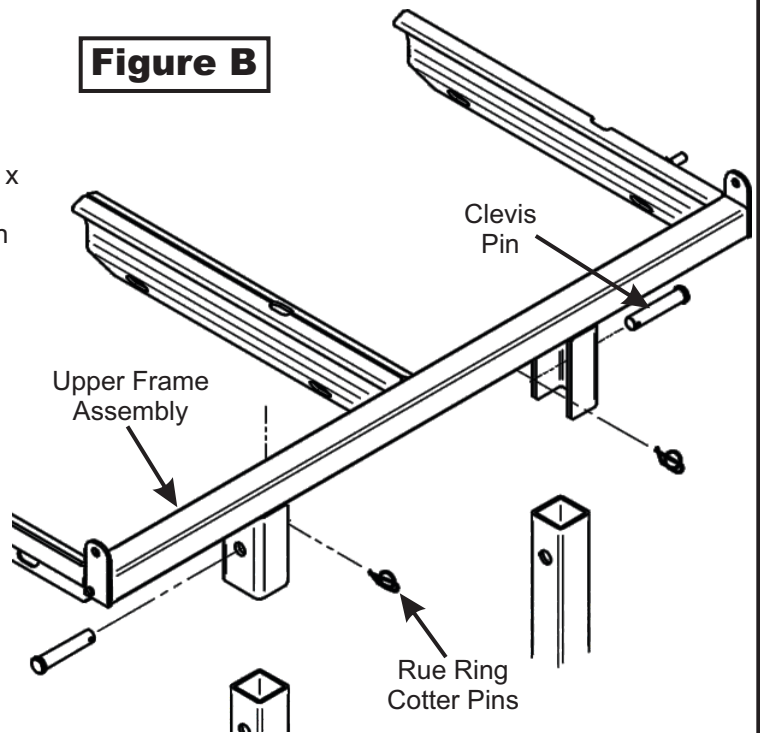
## PTO Stop Plate Installation

Secure the PTO stop plate P#(B0733) to the left PTO mount plate and right PTO mount plate using (4) 1/4"-20 x 3/4" HHCS P#(K1222) and (4) 1/4"-20 nylon flange locknuts P#(K2014). With the stop plate secured, tighten all PTO mount plate component hardware at this time. Refer to Figure A.

**Figure A**



**Figure B**



## Top Assembly To Upper Frame Assembly Installation

Position the top assembly P#(A2101) above the upper frame assembly as shown in Figure C. Fasten the top assembly to the upper frame assembly using (2) 5/16"-18 x 2-1/2" HHCS P#(K0125) and (2) 5/16"-18 nylon flange locknuts P#(K2516). Leave the locknuts slightly loose, to allow the top assembly to open and close easily. Refer to Figure C for hardware location.

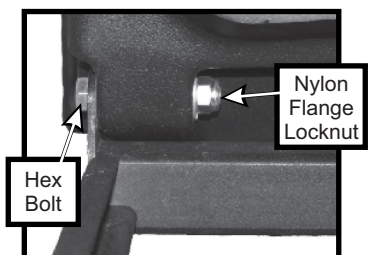
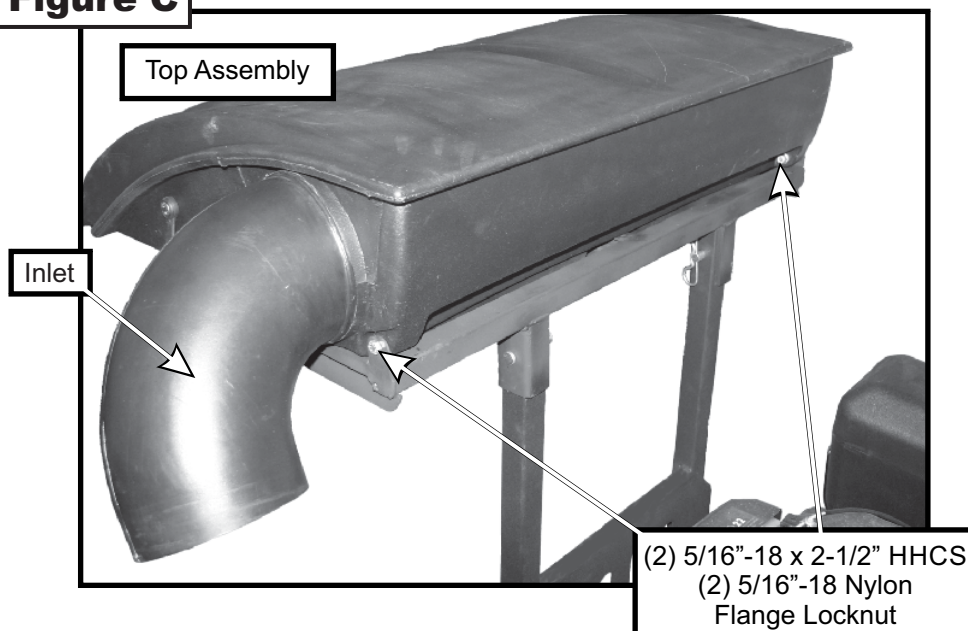
## Upper Frame Assembly Installation

Position the upper frame assembly P#(A2047) above the lower frame tubes as shown in Figure B. Slide the upper frame assembly down onto the lower frame tubes and secure using (2) clevis pins P#(K0133) and (2) Rue Ring Cotter Pins P#(K1437). See Figure B.

## Inlet Installation

Insert the Inlet P#(V0025) into the hole on the top assembly from the inside and then snap the inlet into place. The inlet should pivot freely about the hole.

**Figure C**

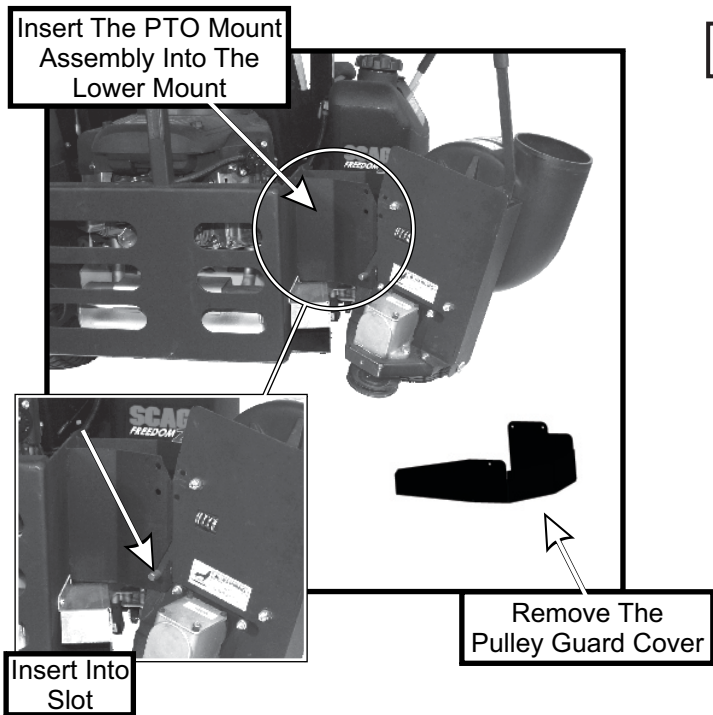




## PTO Assembly Installation

First, remove the pulley guard for belt installation preparation. Next, insert the PTO assembly P#(A2028) into the lower PTO mount assembly as shown in Figure A.

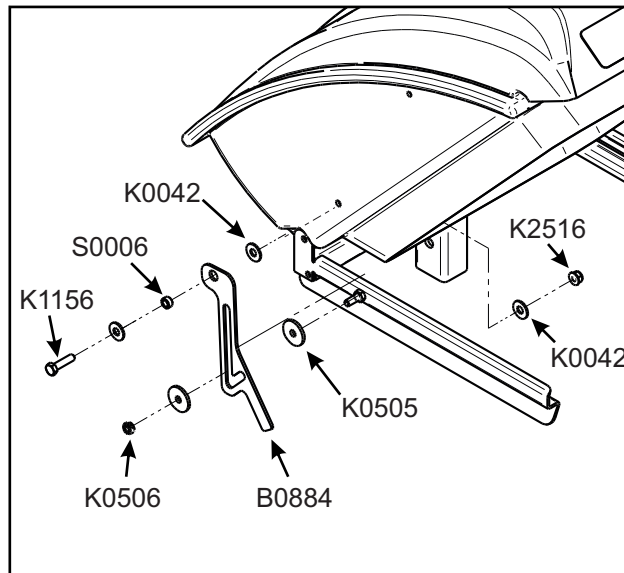
**Figure A**



## Hinge Kit Assembly Installation

Assemble the hinge kit as shown in Figure B, using (2) 5/16"-18 x 1" HHCS P#(K1154), (3) 5/16"-18 nylon flange locknuts P#(K2516), (5) 1/4" flat washers P#(K0037) and (2) swing arm brackets P#(ZT-0004). Place (1) vinyl cap P#(J0289) on the end of the hex bolts as shown in Figure B. Leave the nuts loose enough to allow fluid movement of the top when opening and closing. When opened, the top should rest on the middle joint of the hinge allowing it to remain up.

**Figure B**



## Belt Installation/Removal and Adjustment

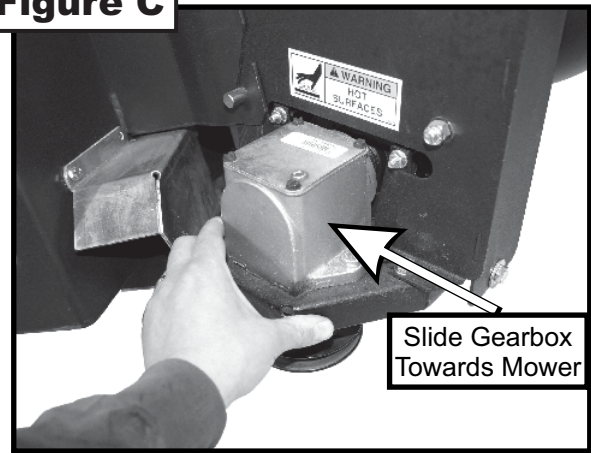
### Installation/Removal:

(Step 1) Loosen the (4) 5/16"-18 x 3/4" HHCS P#(K1153) that secure the gear box to the PTO assembly. There are (2) 5/16"-18 x 3/4" HHCS on the rear side of the PTO assembly where the gearbox is located (Figure A), and there are (2) 5-16"-18 x 3/4" HHCS on the front side of the PTO assembly underneath the blower housing. See Figure B.

(Step 2) Loosen the adjustment bolt (1) 3/8"-16 x 2" hex bolt P#(K0348) located on the side of the PTO assembly. See Figure B.

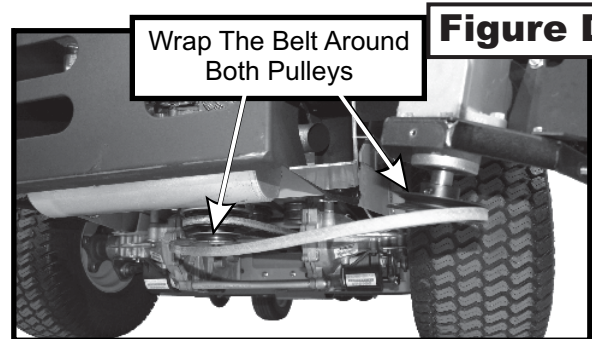
(Step 3) Slide the gearbox towards the mower until there is enough clearance for the kevlar belt A57K P#(M0256) to slide over both the engine and gearbox pulleys. See Figure C.

**Figure C**



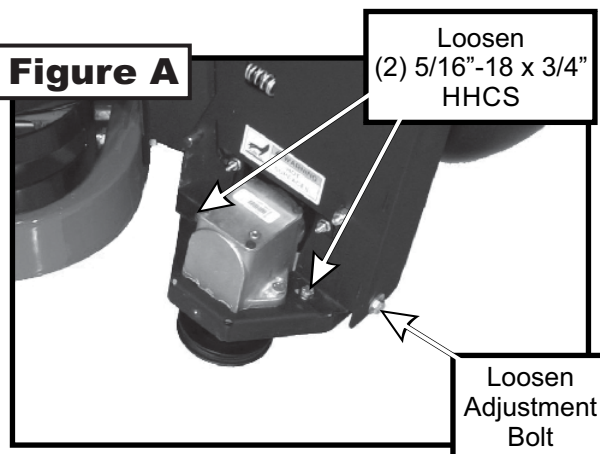
(Step 4) Wrap the kevlar belt around both pulleys.

**Figure D**

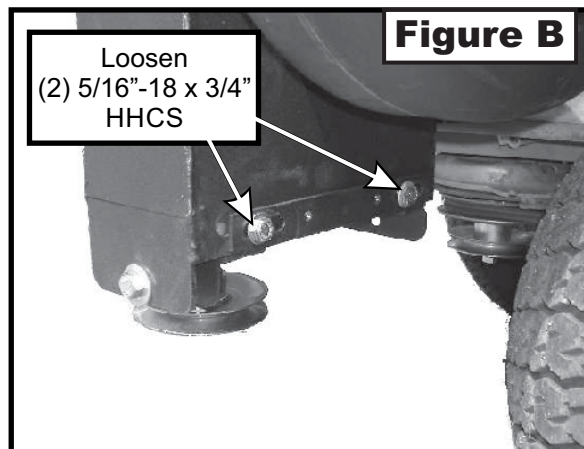


(Step 5) Secure the PTO assembly to the lower PTO mount assembly using (1) PTO assembly mount pin P#(B0274) and (1) hair pin clip P#(K0086). See Figure E.

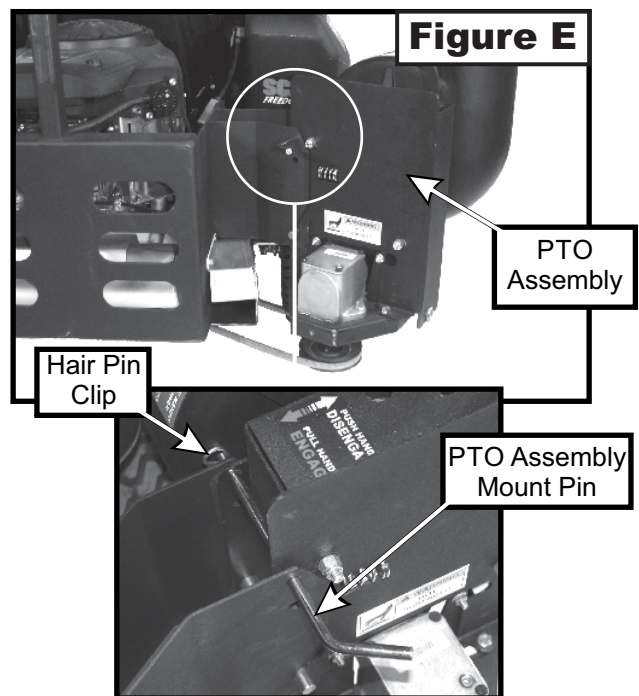
**Figure A**



**Figure B**

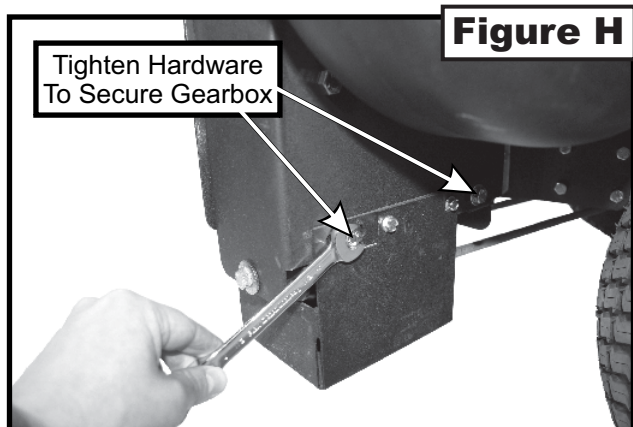
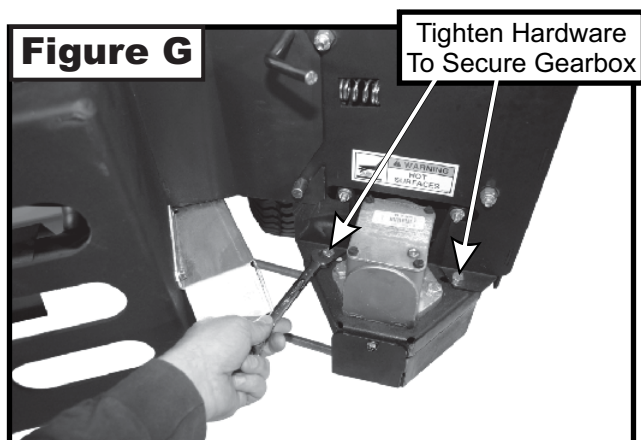
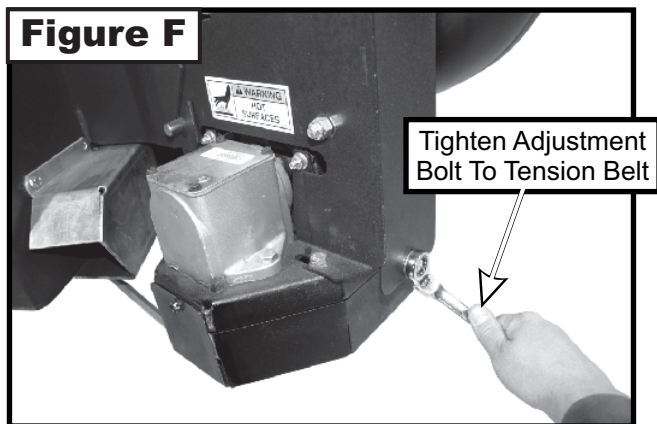


**Figure E**



## Belt Installation/Removal/Adjustment Cont.

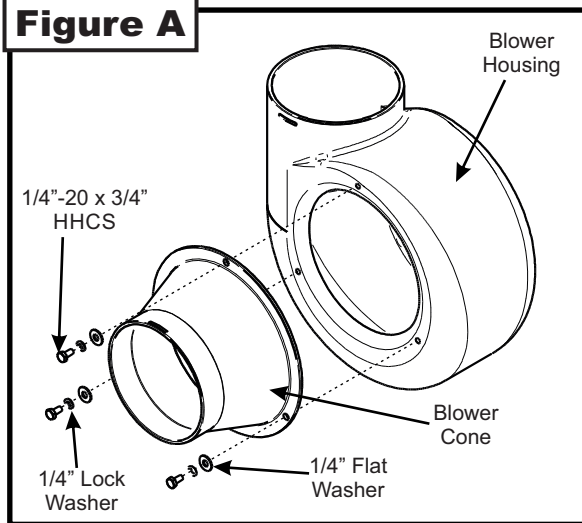
**Adjustment:** To adjust the belt tension, turn the adjustment bolt clockwise until there is 1" of deflection, with 10-11lbs of pressure applied to the center of the belt. When the belt has the proper tension, tighten the (4) 5/16"-18 x 3/4" HHCS that secure the gear box to the PTO assembly. Replace the belt guard and (3) 1/4"-20 x 1/2" HHSTS. Refer to the Figures below.



## Blower Cone Installation/Removal

Fasten the blower cone P#(V0016) to the blower housing located on the PTO assembly. Use (3) 1/4"-20 x 3/4" HHCS P#(K1222), (3) 1/4" lock washers P#(K0039), and (3) 1/4" flat washers P#(K0037) to secure the blower cone to the blower housing. Refer to Figure A for reference.

**Figure A**

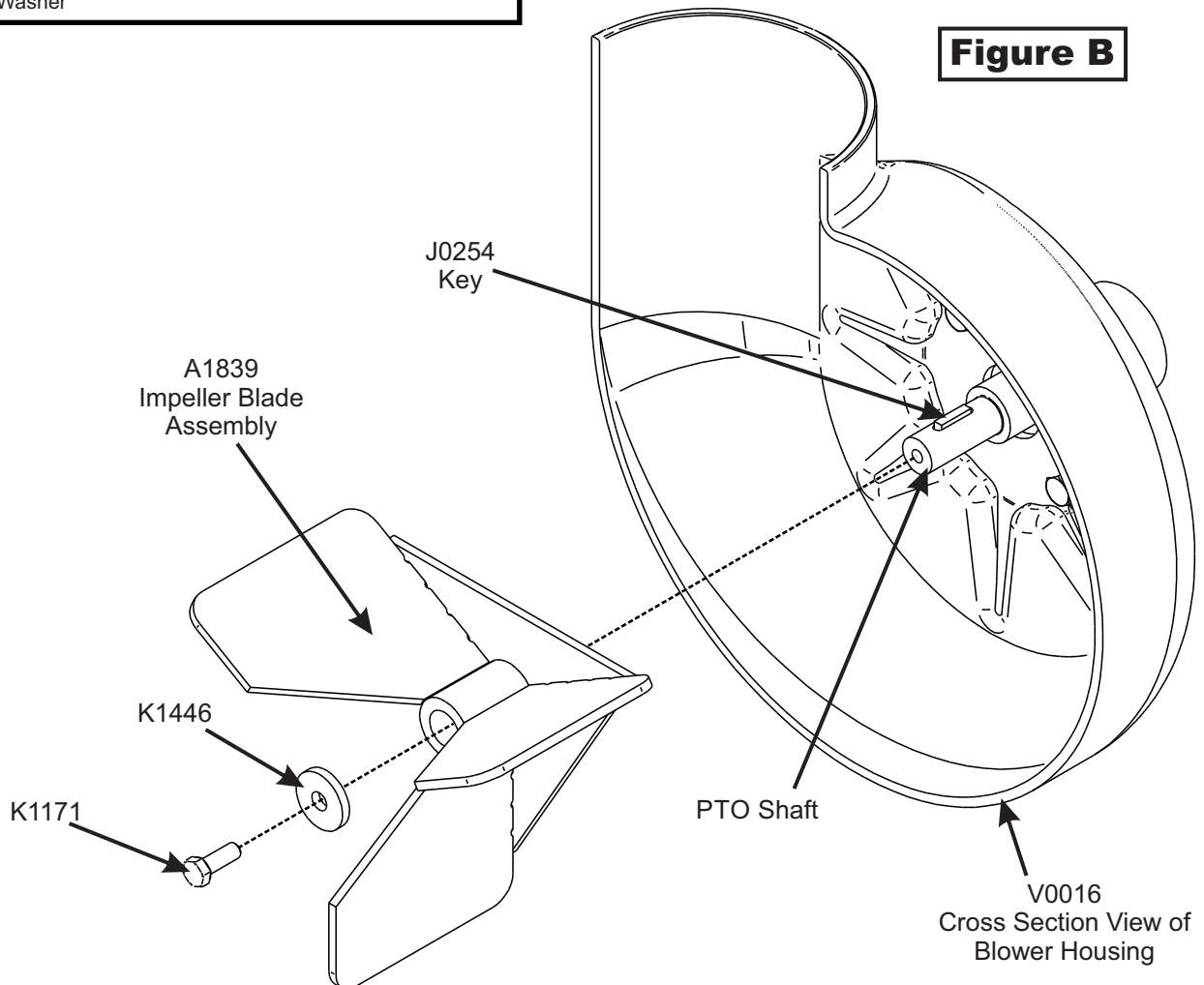


## Impeller Blade Removal/Replacement

**To Remove:** To access the impeller blade, remove the blower cone P#(V0016) and blower cone hardware from the blower housing. Remove the 5/16"-24 x 7/8" left hand thread hex bolt P#(K1171) and washer P#(K1446). Insert (1) 1/2"-13 x 1" hex bolt into the threads on the impeller blade. Tighten the hex bolt until the impeller blade breaks free from the PTO shaft. Remove the impeller blade assembly P#(A1839) from the PTO shaft. Remove the key P#(J0254) from the PTO shaft.

**To Replace:** Insert the key P#(J0254) into the keyway slot on the PTO shaft. Align the keyway slot on the bushing of the impeller blade assembly with the key on the PTO shaft and insert the impeller blade onto the PTO shaft. Secure the impeller blade with (1) 5/16"-24 x 7/8" left hand thread hex bolt P#(K1171) and (1) washer P#(K1446). Replace the blower cone P#(V0016) and blower cone hardware. Refer to Figure B for reference.

**Figure B**

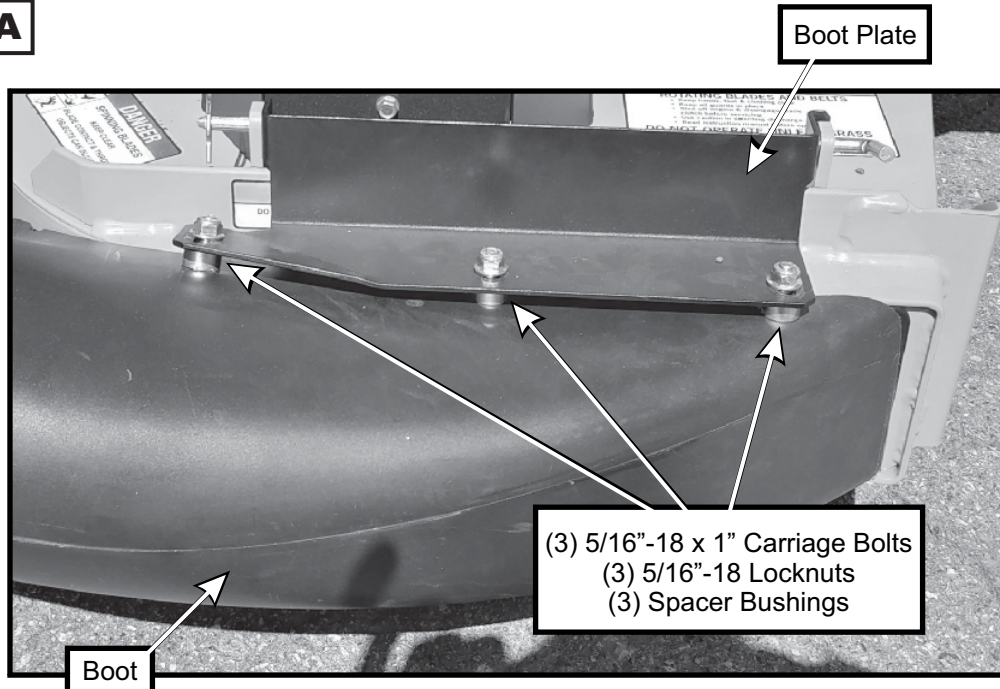


## Boot To Mower Deck Installation

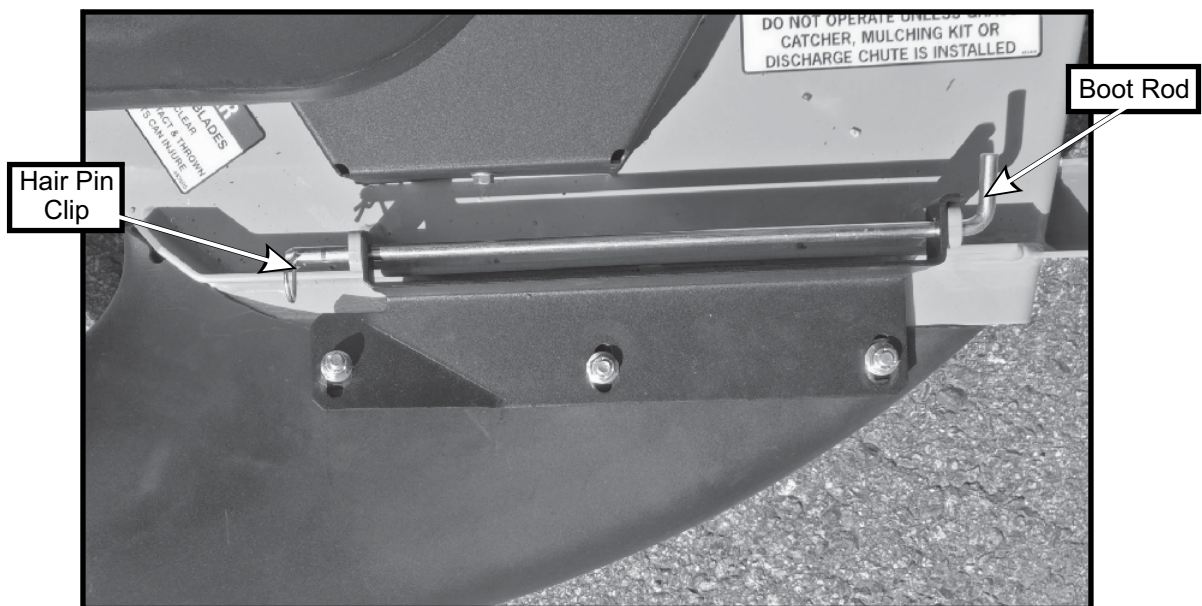
Fasten the boot plate P#(B0577) to the boot P#(V0027) for 48" decks or P#(V0028) for 52" decks, using (1) boot plate fastener P#(B0919), (3) 5/16"-18 x 1" carriage bolts P#(K1144), (3) Spacer Bushings P#(S3143), and (3) 5/16"-18 nylon flange locknuts P#(K2516). Insert the boot plate fastener and carriage bolts from inside the boot, so the threads are on the outside. This will prevent grass clippings from collecting on the threads. Refer to Figure A.

Secure the boot plate to the mower deck using (1) boot rod P#(B4331) and (1) hair pin clip P#(K0099). See Figure B.

**Figure A**



**Figure B**



## Length Of Hose Adjustment

The hoses in Figure A must be cut to fit your machine. Do not cut the hoses until you have tried to fit them on your machine. Remember that the hoses have to be long enough to adjust for the blower assembly's movement as well as allow for enough clamping surface between the inlet, blower assembly and the deck boot.

## Upper Hose Installation

Slide a hose clamp P#(J0060) over both ends of the upper hose. Then slide one end of the upper hose onto the inlet. Make sure there is about a two-inch overlap between the hose end and the container inlet. Proceed to slide the opposite end of the upper hose onto the outlet of the blower assembly. See Figure A for details. Tighten the hose clamps.

## Lower Hose To Blower Cone Installation

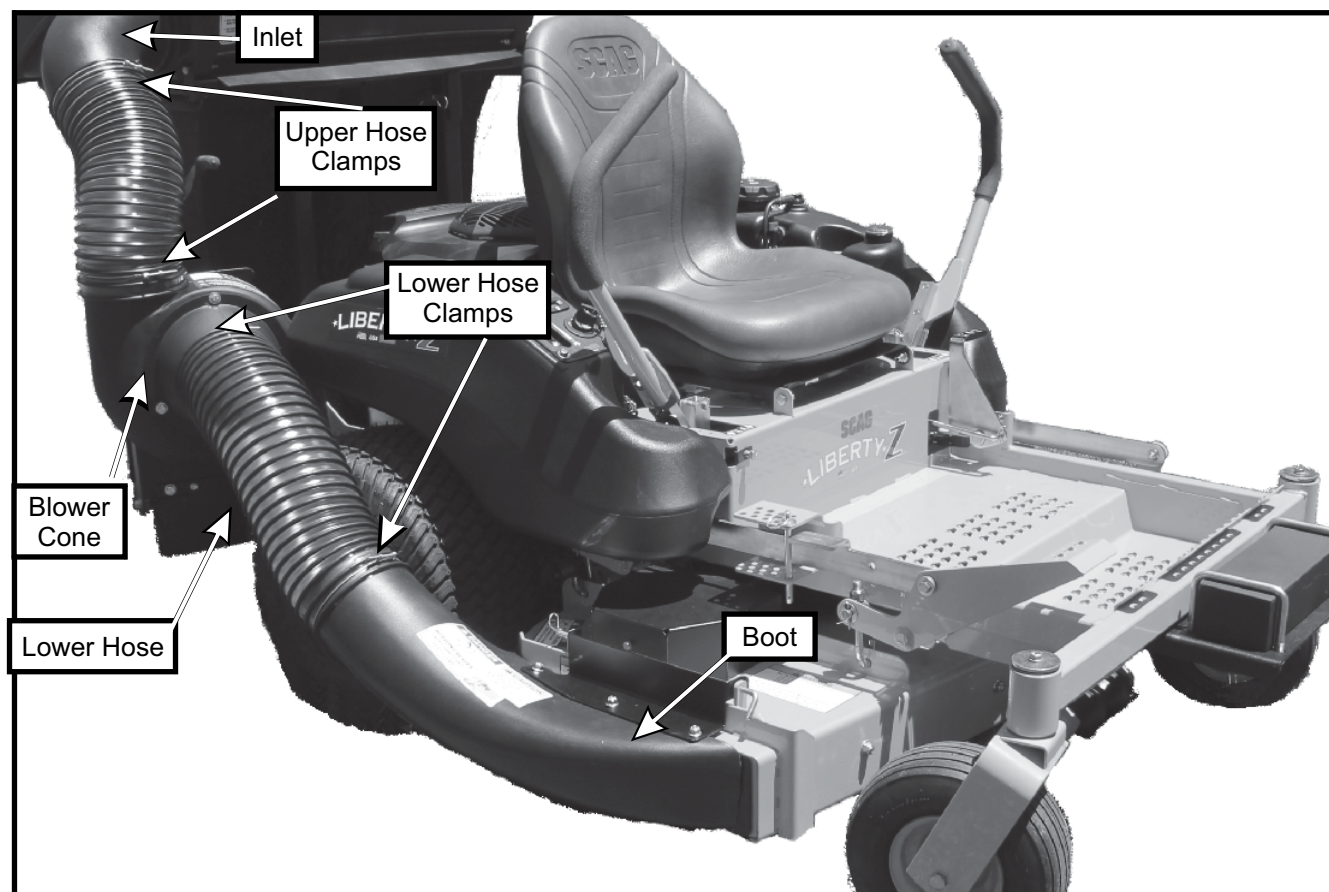
Slide a hose clamp P#(J0060) over one end of the 6" lower hose. Then proceed to slide the lower hose onto the blower cone. Tighten the hose clamp. See Figure A for details.

## Lower Hose To Boot Installation

Take the unattached end of the lower hose and slide it over the circular end of the boot. Use the hose clamp P#(J0060) to secure the hose to the boot.

**NOTE:** Before tightening the hose clamp, rotate the lower hose counter clockwise (see Figure A) approximately 1" and then tighten the clamp. This will hold the bottom edge of the boot tight to the mower deck.

**Figure A**



## Weight Kit Installation

Position the Weight Bracket (Item#1) to the lower front of the mainframe aligning the bolt holes of the Weight Bracket to those on the mainframe (Refer to Figure A). Secure the Weight Bracket using (2) 1/2"-13 x 1" HHCS (Item#5) and (2) 1/2"-13 Nyloc Nuts (Item#4).

Position the (2) Weight Bars (Item#2) on top of the Weight Bracket centering them between the (4) slots of the Weight Bracket. Secure the Weight Bars by using (2) 1/2"-13 U-Bolts and (4) 1/2"-13 Nyloc Nuts. Refer to Figure B.

Figure A

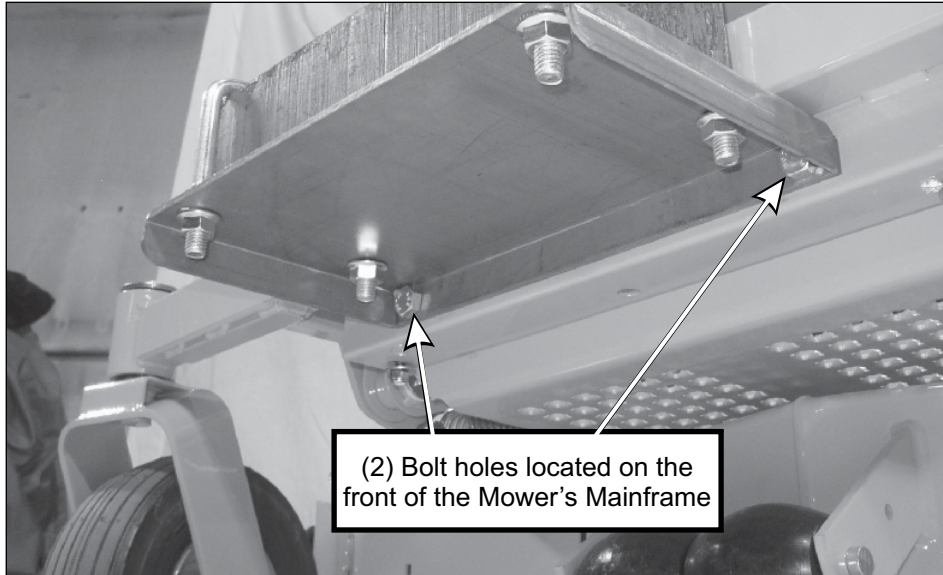
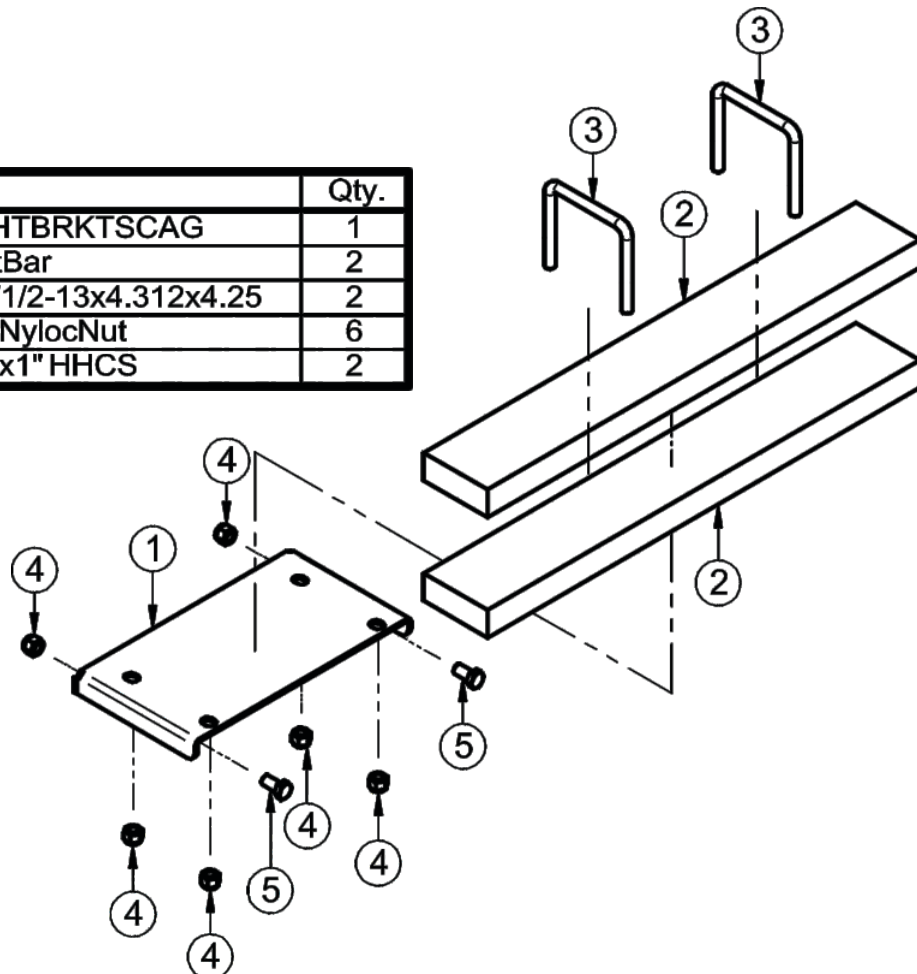


Figure B

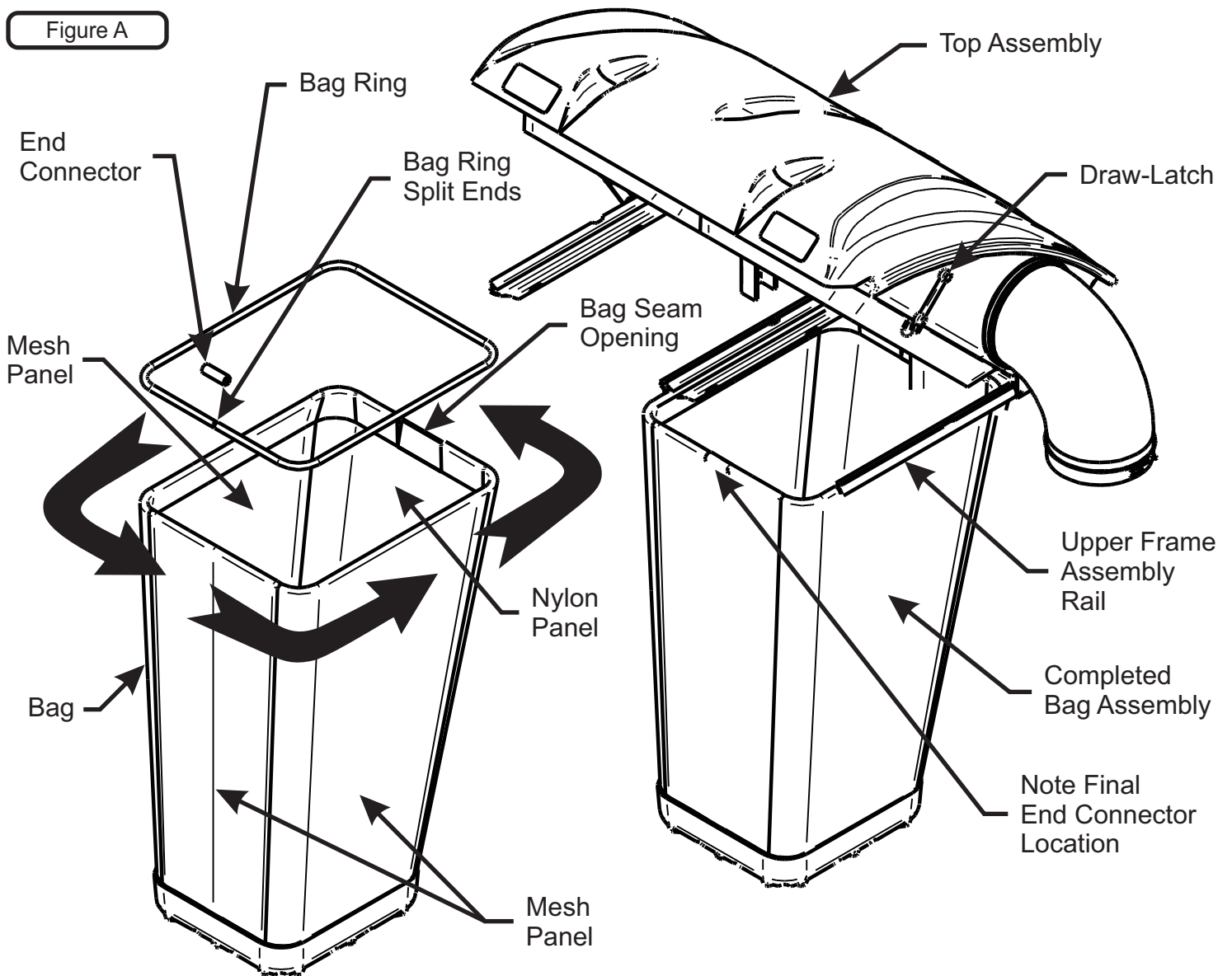
Item#	Part#	Desc.	Qty.
1	B0576	WEIGHTBRKTSCAG	1
2	B2220	WeightBar	2
3	K0331	U-Bolt/1/2-13x4.312x4.25	2
4	K1247	1/2"-13NylocNut	6
5	K1231	1/2"-13x1" HHCS	2



## **Bag Assembly**

First, take one of the Bag Ring Split Ends and insert it through the Bag Seam Opening. Next, rotate the Bag around the Bag Ring (1) full turn (360 degrees) until the Bag Ring Split Ends and the Bag Seam Opening are positioned on the same side. Then, connect the Bag Ring Split Ends using (1) End Connector. Last, rotate the Bag Ring and the End Connector Assembly (1/2") turn (180 degrees) to position the Connector opposite of the Bag Seam Opening. Note Final End Connector Location below in Figure A. Repeat for each Bag.

Figure A



## **Bag Assembly Installation**

Slide the Completed Bag Assembly into the Upper Frame Assembly Rails and close the Top Assembly. Fasten the Draw-Latch on either side to hold the bagger closed.



## SECTION III OPERATING INSTRUCTIONS

### General Safety

Only qualified people familiar with this operator's manual and the mower's operator's manual should operate this machine.

### Operation And Tips On Mowing

- A. Perform BEFORE EACH USE the maintenance list referenced in Section IV.
- B. Start mower.
- C. With the mower at high idle speed, engage the mower deck.
- D. While seated in the operator's seat, pull the engagement handle of the PTO assembly towards the operator's seat until the handle slides into position in the retaining slot. With the PTO assembly engaged, you can proceed to operate the control levers of the mower.

**NOTE:** If the collection system does not appear to be collecting the grass clippings, disengage the deck and PTO assembly, then, engage the parking brake and turn the mower off. Check upper and lower hoses for any clogs.

To obtain the maximum effectiveness from your collection system, the tips listed below should be followed:

- \* Watch your speed- Normal conditions will allow a speed of up to approximately 4 mph, but thick, heavy damp conditions will require reduced ground speed.
- \* Mow with sharp blades- A sharp blade cuts cleaner.
- \* Wet grass and leaves will decrease effectiveness and will increase horsepower requirements.
- \* Mow at higher cutting heights- Remove and mulch no more than 2" of grass length with each mowing. (Experts recommend not cutting off more than 1/3 of the grass blade length at any given time.)
- \* Mow twice, at different height settings, (high, then low), if grass is extra tall.
- \* Remember that horsepower requirements will vary with the mowing conditions such as type and height of turf grass, moisture content, amount of leaves, whether the terrain is flat or hilly, etc.

### Disengagement Of The PTO Assembly

A. To disengage the PTO assembly, slide the engagement handle out of the retaining slot and push the engagement handle away from the operator's seat.

**WARNING:** The PTO assembly blades will continue to spin. DO NOT TOUCH the PTO assembly, pulleys, or the belt until the tractor is turned off. DO NOT adjust the belt tension until the mower is turned off. Refer to the Belt Installation section of the manual.

### Unloading The Collection System

**NOTE:** To determine when the collection bags are full, follow the following steps:

- A. Stop the forward movement of the mower.
- B. Disengage the mower deck.
- C. Disengage the PTO assembly.
- D. Engage the parking brake.
- E. Once the parking brake has been engaged, then and only then, walk behind the mower and check the collection bags by first unhooking the rubber strap with S-hook that secures the plastic top, then lift the plastic hood. Load in bags should not exceed the height of the installed bag.
- F. To remove the bags from the frame, slide bags out and turn bags over to deposit clippings.
- G. Slide empty bags back onto the frame and secure plastic top with the rubber strap with S-hook.

**NOTE:** Do not allow collection bags to become over-filled as potential damage may occur to your equipment. Also, be sure to clean the hood screen as needed.

## SECTION IV MAINTENANCE

### Maintenance Checklist

Before each use:

1. Check blades and spindles to be sure that no foreign objects, such as wire or steel strapping bands, are wrapped around them.
2. Inspect blades for wear. Replace if necessary. If it is necessary to sharpen the blades, remove the blades from the spindles before sharpening. DO NOT sharpen blades while still attached to the mower.

3. Make sure all shields are in place and in good condition. Repair or replace any missing or damaged shields.
4. Perform lubrication per instructions.
5. Listen for abnormal sounds, which might indicate loose parts, damaged bearings, or other damage. Correct any deficiency before continuing operation.
6. With the engine off, engage the blower assembly. Check the belt tension and inspect the pulley belt for cracks or tears.
7. Check for wear or deterioration of the upper or lower hoses. If there are any portions of the hose that have been torn or worn through, replace immediately.

After Each Use:

1. Clean all debris from machine especially from the container, underneath the belt shields, and safety decals. Replace any missing or illegible decals.
2. Inspect the unit for worn or damaged components. Repair or replace before the next use. Any replacement component installed during repair shall include the component's current safety decal specified by the manufacturers to be affixed to the component.
3. Under normal usage, the bag material is subject to deterioration and wear and should therefore be frequently checked for necessary replacement. Any replacement bag should be checked to ensure compliance with the original manufacturer's recommendations or specifications.
4. Check belt for proper tension.

## 4-2 Lubrication

Gearbox:

**NOTE:** The gearbox is filled with 6.0 oz. of Mobilube HD Plus 80W-90 oil and permanently sealed. There is no need for scheduled lubrication. The oil level should only be checked if a leak is observed or if a change in gearbox noise is noticed.

Operators are recommended to check for leaks weekly. If a leak is observed, both the gasket and the seals are recommended to be replaced.

Replace the oil using 5.5 oz. of the recommended Mobilube HD Plus 80W-90 oil. Be sure to not overfill.

Blower Assembly:

**NOTE:** The following is for older PTO models that contain a greaseable zirc fitting. Newer models contain maintenance-free bearings and are without a greasable fitting.

1. On initial use: Grease the fitting on the blower shaft.
2. Every 25 hours of use: Re-grease the grease fitting.

**NOTE:** Use only white lithium based grease for lubrication of the shaft on the blower assembly.

## SECTION V - PARTS & SERVICE

### 5-1 Parts And Service Information

Collection system owners should record the name and telephone number of their Service Center. Your Service Center will be happy to supply replacement parts, accessories, and do any service or repairs to your collection system. If for any reason your Service Center is unable to service your collection system or supply replacement parts, contact New PECO, Inc. and include the following information on the chart below.

### DOCUMENT THE FOLLOWING INFORMATION FOR FUTURE REFERENCE

**Unit Model Number:** \_\_\_\_\_

**Unit Engine Size:** \_\_\_\_\_

**Unit Serial Number:** \_\_\_\_\_

**Date of purchase:** \_\_\_\_ / \_\_\_\_ / \_\_\_\_

**Dealer/Distributor Name:** \_\_\_\_\_

**Address:** \_\_\_\_\_ **State:** \_\_\_\_\_ **Zip:** \_\_\_\_\_

**Phone Number:** \_\_\_\_\_

**New PECO, Inc.**  
**10 Walden Dr | Arden, North Carolina 28704**  
**Phone: 1-800-438-5823 | 828-684-1234**  
**Fax: 828-684-0858**  
**Email: [peco@lawnvac.com](mailto:peco@lawnvac.com)**  
**Website: [www.lawnvac.com](http://www.lawnvac.com)**

# Unit Model #: 37120903

Mower: Scag

Owner's Manual: Q0497

Mower Type: Liberty-Z

Engine Type: Kohler 7000 Series 22 HP

Deck Size: 48"

Vac Type: 9 Cu. Ft. Pro 2+ Bagger

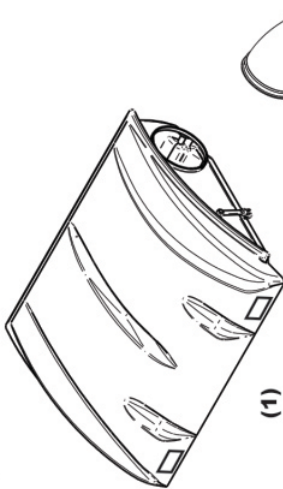
Deck Type:

Drive Type: PTO-R Drive (3-Blade)

Revision:

Fits Year(s): 2015-Newer

## A2192 Vac Kit



(1)  
A2101  
TOP ASSY.



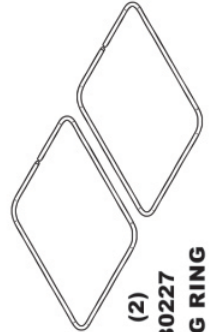
(1)  
V0025  
6" & 7"  
PLASTIC  
INLET



(1)  
A2047  
UPPER  
FRAME  
ASSY.



(1)  
HB0683  
HARDWARE  
BAG



(2)  
B0227  
BAG RING

## A1153 48" BAFFLE KIT

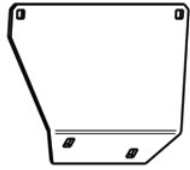


(1)  
B0709  
48" LEFT HAND  
BAFFLE



(1)  
A1154  
48" RIGHT HAND  
BAFFLE  
ASSEMBLY

## A2029 Mount Kit

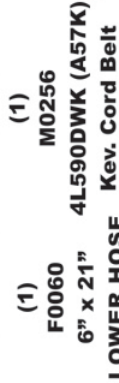


(1)  
B0923  
MOUNT PLATE  
STIFFENER



(1)  
F0060  
6" x 18"  
UPPER  
HOSE

## (1)



(1)  
F0060  
6" x 21"  
LOWER HOSE



(1)  
M0256  
4L590DWK (A57K)  
Key. Cord Belt



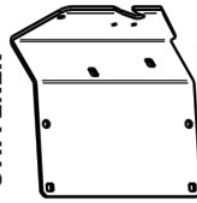
(1)  
HB0651  
ENGINE PULLEY  
HARDWARE BAG



(1)  
HB0652  
HARDWARE  
BAG



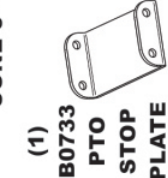
(4)  
J0060  
6" Hose  
Clamp



(1)  
B0916  
RIGHT PTO  
MOUNT PLATE



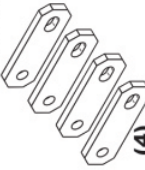
(1)  
B0913  
MUFFER  
GUARD



(1)  
B0733  
PTO  
STOP  
PLATE



(2)  
B0640  
LWR.  
FRAME  
TUBE



(4)  
B0915  
SPACER  
PLATE



(1)  
V0016  
BLOWER  
CONE 6"



(1)  
HB0651  
HARDWARE  
BAG



(1)  
HB0652  
HARDWARE  
BAG



(1)  
V0027  
BOOT

## A1790 Boot Kit



(1)  
V0027  
BOOT



(1)  
B0918  
BOOT PLATE



(1)  
B0919  
BOOT PLATE  
FASTENER



(1)  
B4331  
BOOT ROD



(1)  
HB0432  
HARDWARE  
BAG

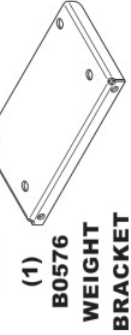
## A1791 Weight Kit



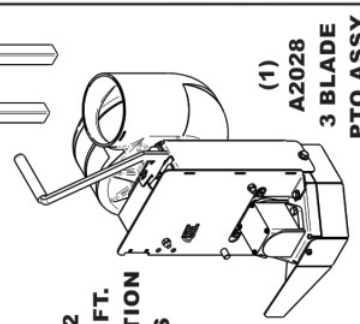
(1)  
HB0431  
HARDWARE  
BAG



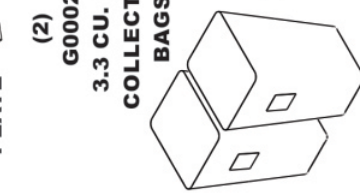
(2)  
B2220  
27" WEIGHT  
BAR



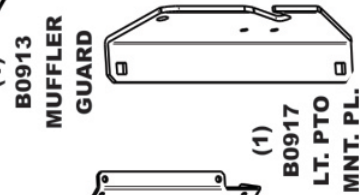
(1)  
B0576  
WEIGHT  
BRACKET



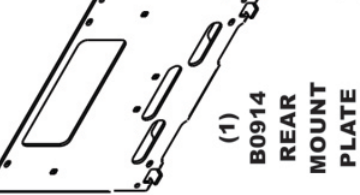
(2)  
G0002  
3.3 CU. FT.  
COLLECTION  
BAGS



(1)  
A2028  
3 BLADE  
PTO ASSY.



(1)  
B0914  
REAR  
MOUNT  
PLATE



(1)  
B0917  
LT. PTO  
MNT. PL.

# Unit Model #: 37120904

Mower: Scag

Owner's Manual: Q0497

Mower Type: Liberty-Z

Engine Type: Kohler 7000 Series 24 HP

Deck Size: 52"

Vac Type: 9 Cu. Ft. Pro 2+ Bagger

Deck Type:

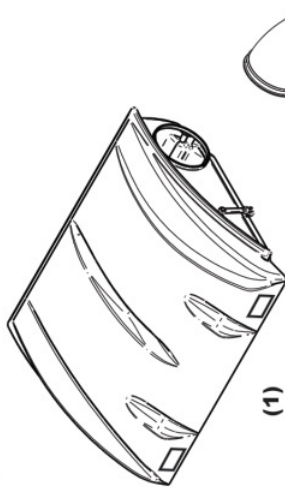
Drive Type: PTO-R Drive (3-Blade)

Revision:

Fits Year(s): 2015-Newer



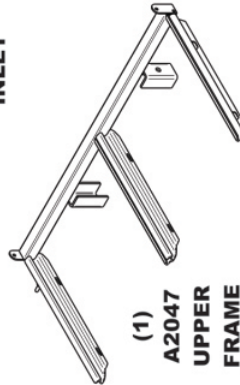
## A2192 Vac Kit



(1)  
A2101  
TOP ASSY.



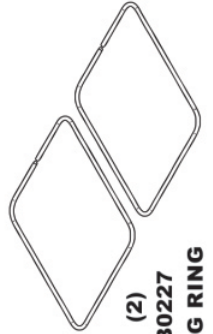
(1)  
V0025  
6" & 7"  
PLASTIC  
INLET



(1)  
A2047  
UPPER  
FRAME  
ASSY.



(1)  
HB0683  
HARDWARE  
BAG



(2)  
B0227  
BAG RING  
ASSY.

## A1151 52" BAFFLE KIT



(1)  
HB0476  
HARDWARE  
BAG

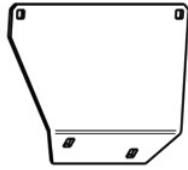


(1)  
B0705  
52" LEFT HAND  
BAFFLE



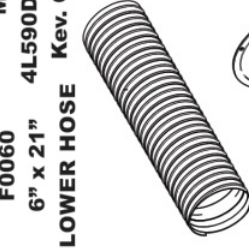
(1)  
A1152  
52" RIGHT HAND  
BAFFLE  
ASSEMBLY

## A2029 Mount Kit



(1)  
B0923  
MOUNT PLATE  
STIFFENER

## A1796 Boot Kit



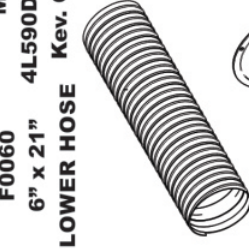
(1)  
F0060  
6" x 21"  
LOWER HOSE



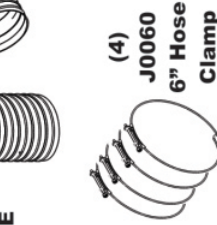
(1)  
F0060  
6" x 18"  
UPPER  
HOSE



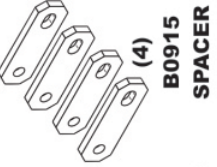
(1)  
HB0651  
ENGINE PULLEY  
HARDWARE BAG



(1)  
M0256  
4L590DWK (A57K)  
Kev. Cord Belt



(4)  
J0060  
6" Hose  
Clamp



(4)  
B0915  
SPACER  
PLATE



(1)  
HB0652  
HARDWARE  
BAG



(1)  
V0016  
BLOWER  
CONE 6"



(1)  
B0919  
BOOT PLATE  
FASTENER



(1)  
B4331  
BOOT ROD



(1)  
HB0432  
HARDWARE  
BAG



(1)  
B0918  
BOOT PLATE



(1)  
V0028  
BOOT



(1)  
B0913  
MUFFER  
GUARD



(1)  
B0916  
RIGHT PTO  
MOUNT PLATE



(1)  
B0914  
REAR  
MOUNT  
PLATE



(1)  
B0917  
LT. PTO  
MNT. PL.



(2)  
G0002  
3.3 CU. FT.  
COLLECTION  
BAGS



(1)  
B0733  
PTO  
STOP  
PLATE



(2)  
B0640  
LWR.  
FRAME  
TUBE

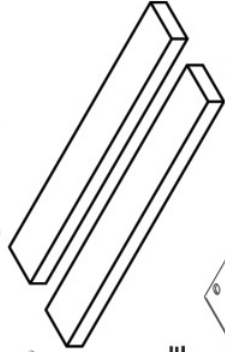


(1)  
A2028  
3 BLADE  
PTO ASSY.

## A1791 Weight Kit



(1)  
HB0431  
HARDWARE  
BAG

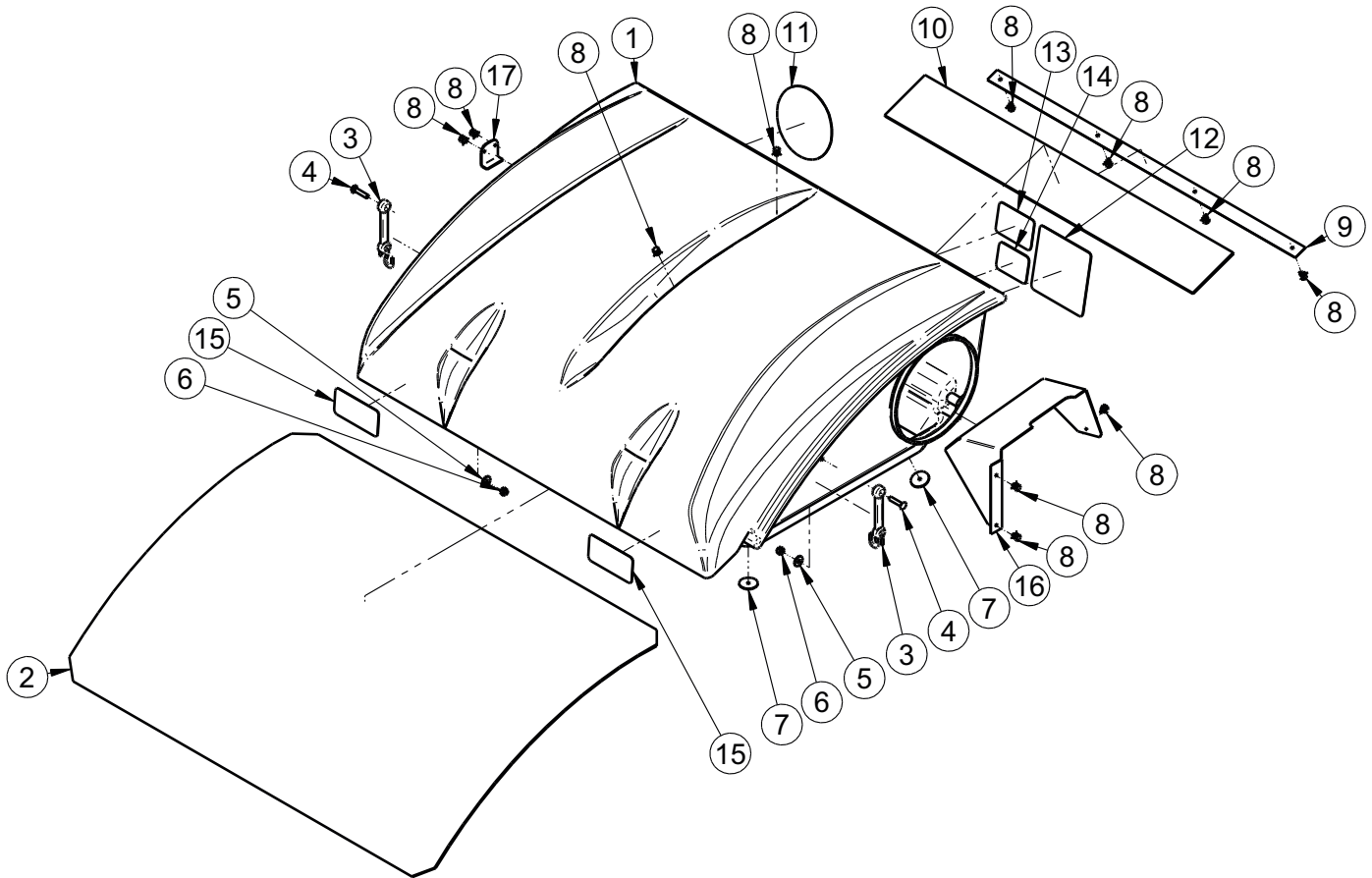


(2)  
B2220  
27" WEIGHT  
BAR



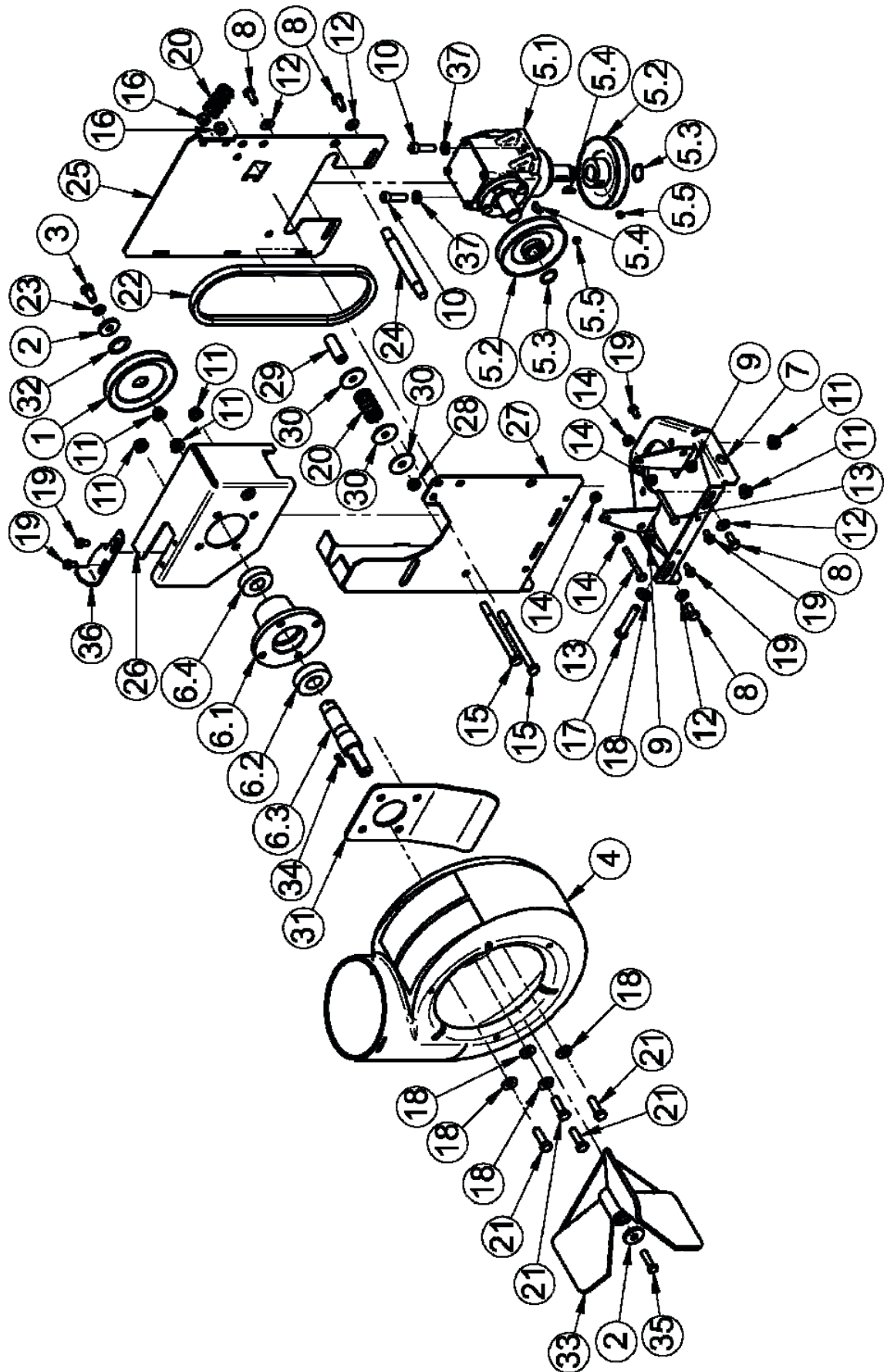
(1)  
B0576  
WEIGHT  
BRACKET

**TOP ASSEMBLY  
EXPLODED PARTS VIEW**



Item #	Part #	Desc.	Qty.
1	V2000	Pro 2 Bagger Top / Gen. 2	1
2	V2001	Screen	1
3	J4009	Short Rubber Strap w/ S-Hook	2
4	K1030	1/4"-20 x 1-1/4" Carriage Bolt	2
5	K0037	Flat Washer / 1/4" (.75 OD x .312 ID x .060 T)	2
6	K1128	1/4"-20 Nyloc Nut	2
7	K0062	3/16" x 1-1/2" Fender Washer, Z	2
8	K0114	Black Plastic Rivet	11
9	C0067	Dust Guard Mnt. Brkt.	1
10	V1117	Dust Guard	1
11	R0022	Decal / Built In The USA / Lg	1
12	R1069	Decal / Warning - Turn Off Blower	1
13	R1054	Decal / Important Check Hoses	1
14	R1051	Decal / Warning - Use Hearing Protection	1
15	R1057	Decal / 2" x 4" Red Reflector	2
16	C0026	Grass Deflector	1
17	B0676	Hinge Stop Pl.	1

**A2194 PTO-R BASE ASSEMBLY  
EXPLODED PARTS VIEW**

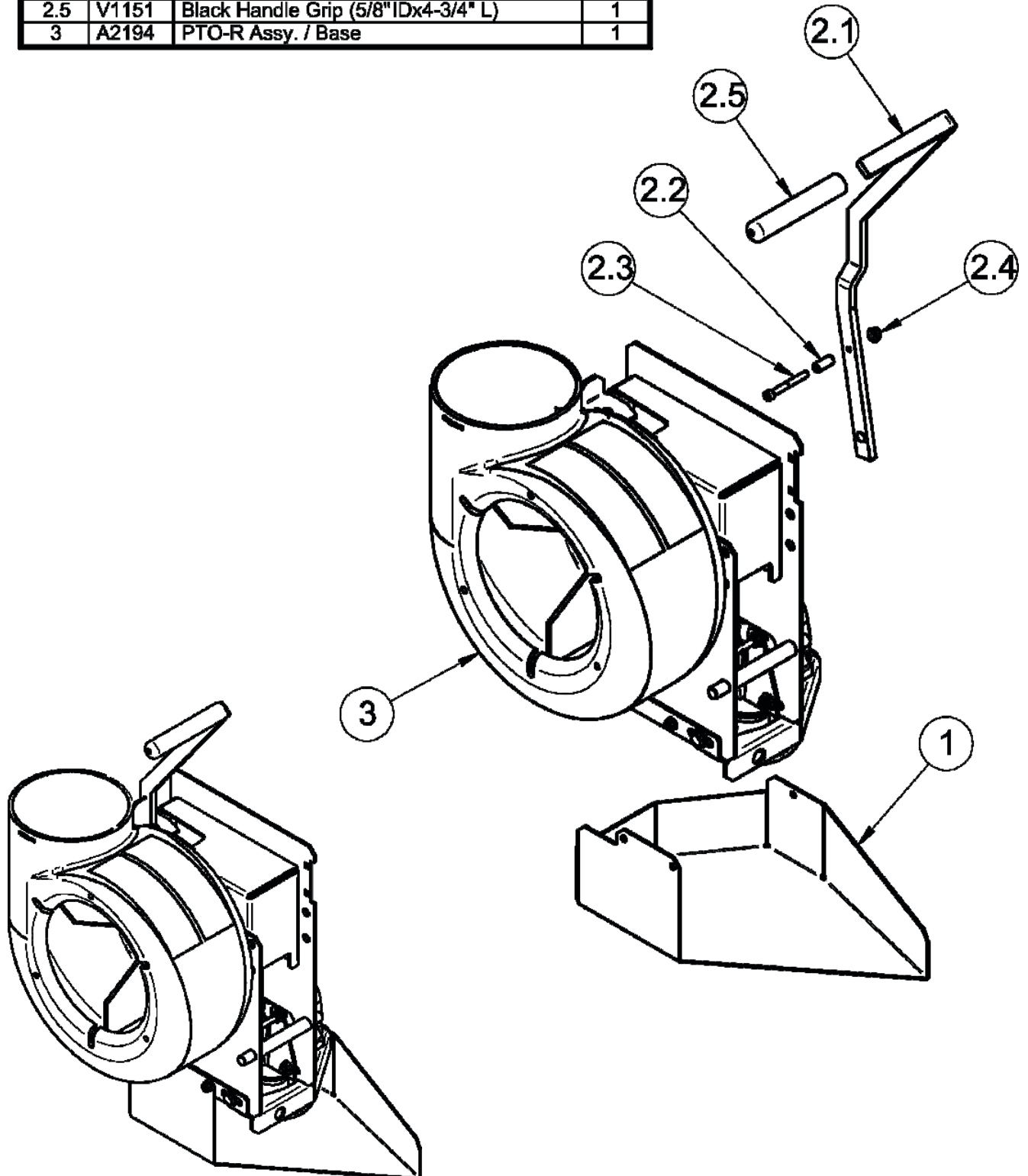


## A2194 PTO-R BASE ASSEMBLY PARTS LIST

Item#	Part#	Desc.	Qty.
1	M0266	A-Section Pulley / 4.25 OD	1
2	K1446	PTO Housing Washer	2
3	K1190	HHCS / 3/8"-16x3/4"	1
4	V0015	Blower Hsg.	1
5	A0429	Gear Box Assy.	1
5.1	A0431	Gearbox	1
5.2	A0498	Pulley Assy. / Gear Box	2
5.3	K0360	Snap Ring / 7/8"Shaft	2
5.4	J0272	Woodruff Key #9	2
5.5	K0035	Set Screw 5/16"-18x1/4" CupPoint	2
6	A1004	PTO Shaft Assy.	1
6.1	E0015	Housing / PTO Shaft	1
6.2	N0147	Bearing (2.0472OD,0.9843ID,0.5906W)	1
6.3	B0460	PTO Shaft	1
6.4	N0165	Bearing (1.875OD,.875ID,.500W)	1
7	A1003	PTO Base Plate Assy.	1
8	K1153	HHCS 5/16"-18x3/4"	4
9	K1178	Flange Nut 5/16"-18	4
10	K0309	3/8"-16x1-1/4" SHCS	2
11	K1215	Flange Nut 3/8" -16	6
12	K0037	Flat Washer / 1/4" (.75ODx.312IDx.060T)	4
13	K1150	HHCS / 1/4"-20x2-1/4"	2
14	K1126	Flange Nut 1/4" -20	4
15	K1202	HHCS / 3/8" -16x4-1/2"/G5	2
16	K1216	Nyloc Nut / 3/8"-16	2
17	K0348	HHCS / 3/8" -16x2" AllThread	1
18	K0042	Flat Washer 5/16" / .875ODx.380IDx.075T	5
19	K0353	HWHTCS 1/4" -20x1/2"	5
20	J0303	Spring	2
21	K1192	HHCS 3/8" -16x1-1/4" GR5	4
22	M0267	Kevlar Belt / A28K	1
23	K0048	Lock Washer 3/8"	1
24	B0505	Mount Rod	1
25	B0506_01	Lt. PTO Arm	1
26	B0642	Mount Bracket / Blower Hsg.	1
27	B0643	Rt. PTO Arm	1
28	B0510	Spacer Bushing / Small	1
29	B0511	Spacer Bushing / Large	1
30	K0403	Flat Washer (1-1/2" ODx3/8" IDx.092T)	3
31	B0739	Stiffener Plate / Blower Hsg.	1
32	K0070	Flat Washer (1.295 OD x .881 ID x .020T)	1
33	A1839	3-Blade Impeller Assy.	1
34	J0254	Key / 3/16" x3/16" x3/4"	1
35	K1171	HHCS / 5/16" -24LHx1-1/4" / G5 w/ Patch Coating	1
36	B0887	Belt Tension Adjust Bracket	1
37	K0048	Lock Washer 3/8"	2

# A2028 PTO ASSEMBLY EXPLODED PARTS VIEW

Item#	Part#	Desc.	Qty.
1	B0681	Pulley Guard / Gear Box Assy.	1
2	A1138	PTO Handle Assembly	1
2.1	B0688	PTO Handle	1
2.2	S0001	Roller Bushing / PTO Handle	1
2.3	K1469	SHCS 1/4"-20x2" Stainless	1
2.4	K2014	1/4"-20 Ny-Flange Lock Nut	1
2.5	V1151	Black Handle Grip (5/8" IDx4-3/4" L)	1
3	A2194	PTO-R Assy. / Base	1





## SAFETY DECALS

To promote safe operation, New PECO, Inc. supplies safety decals on all products manufactured. Damage can occur to safety decals either through shipment, use or reconditioning. Contact your local Service Center for replacement decals.



Part# R1070  
PECO Logo



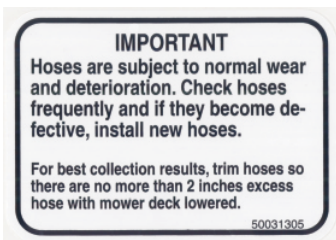
Part# R0022  
Designed & Built  
In The USA



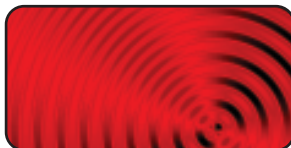
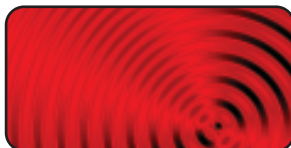
Part #: R2007  
Danger - Never Use Hands



Part #: R2008  
Danger - Rotating Blades



Part #: R1054  
Important - Hose Wear



Part #: R1057 - (2)  
Red Reflectors



Part #: R1069  
Warning - Turn Off Blower



Part # R0024  
Danger - Keep Hands  
Clear



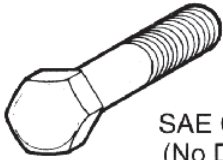
Part #: R1051  
Warning - Hearing Protection



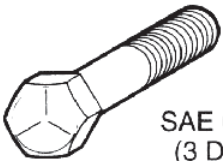
Part # R0025  
Danger - Rotating  
Blades

# TORQUE SPECIFICATIONS

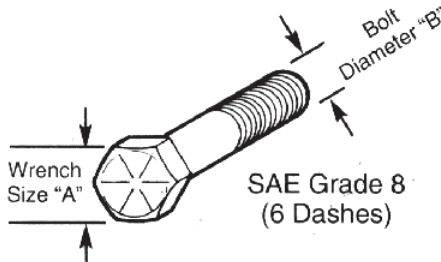
## AMERICAN Bolt Head Markings



SAE Grade 2  
(No Dashes)



SAE Grade 5  
(3 Dashes)

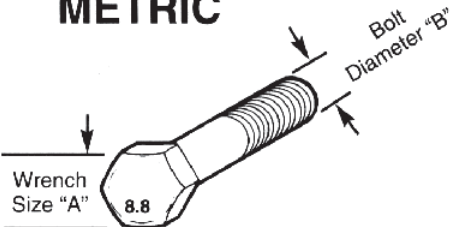


SAE Grade 8  
(6 Dashes)

Recommended Torque in Foot Pounds (Newton Meters).\*

WRENCH SIZE (IN.) "A"	BOLT DIAMETER (IN.) "B" AND THREAD SIZE	SAE GRADE 2	SAE GRADE 5	SAE GRADE 8
7/16	1/4 - 20 UNC	6 (7)	8 (11)	12 (16)
7/16	1/4 - 28 UNF	6 (8)	10 (13)	14 (18)
1/2	5/16 - 18 UNC	11 (15)	17 (23)	25 (33)
1/2	5/16 - 24 UNF	13 (17)	19 (26)	27 (37)
9/16	3/8 - 16 UNC	20 (27)	31 (42)	44 (60)
9/16	3/8 - 24 UNF	23 (31)	35 (47)	49 (66)
5/8	7/16 - 14 UNC	32 (43)	49 (66)	70 (95)
5/8	7/16 - 20 UNF	36 (49)	55 (75)	78 (106)
3/4	1/2 - 13 UNC	49 (66)	76 (103)	106 (144)
3/4	1/2 - 20 UNF	55 (75)	85 (115)	120 (163)
7/8	9/16 - 12 UNC	70 (95)	109 (148)	153 (207)
7/8	9/16 - 18 UNF	79 (107)	122 (165)	172 (233)
15/16	5/8 - 11 UNC	97 (131)	150 (203)	212 (287)
15/16	5/8 - 18 UNF	110 (149)	170 (230)	240 (325)
1-1/8	3/4 - 10 UNC	144 (195)	266 (360)	376 (509)
1-1/8	3/4 - 16 UNF	192 (260)	297 (402)	420 (569)
1-5/16	7/8 - 9 UNC	166 (225)	430 (583)	606 (821)
1-5/16	7/8 - 14 UNF	184 (249)	474 (642)	668 (905)
1-1/2	1 - 8 UNC	250 (339)	644 (873)	909 (1232)
1-1/2	1 - 12 UNF	274 (371)	705 (955)	995 (1348)
1-1/2	1 - 14 UNF	280 (379)	721 (977)	1019 (1381)
1-11/16	1-1/8 - 7 UNC	354 (480)	795 (1077)	1288 (1745)
1-11/16	1-1/8 - 12 UNF	397 (538)	890 (1206)	1444 (1957)
1-7/8	1-1/4 - 7 UNC	500 (678)	1120 (1518)	1817 (2462)
1-7/8	1-1/4 - 12 UNF	553 (749)	1241 (1682)	2013 (2728)
2-1/16	1-3/8 - 6 UNC	655 (887)	1470 (1992)	2382 (3228)
2-1/16	1-3/8 - 12 UNF	746 (1011)	1672 (2266)	2712 (3675)
2-1/4	1-1/2 - 6 UNC	870 (1179)	1950 (2642)	3161 (4283)
2-1/4	1-1/2 - 12 UNF	979 (1327)	2194 (2973)	3557 (4820)

## METRIC



Numbers appearing on bolt heads indicate ASTM class.

Recommended torque in foot pounds (newton Meters).\*

WRENCH SIZE (mm) "A"	BOLT DIA. (mm) "B"	ASTM 4.6	ASTM 8.8	ASTM 9.8	ASTM 10.9
8	5	1.8 (2.4)		5.1 (6.9)	6.5 (8.8)
10	6	3 (4)		8.7 (12)	11.1 (15)
13	8	7.3 (10)		21.1 (29)	27 (37)
16	10	14.5 (20)		42 (57)	53 (72)
18	12	25 (34)	74 (100)	73 (99)	93 (126)
21	14	40 (54)	118 (160)	116 (157)	148 (201)
24	16	62 (84)	167 (226)	181 (245)	230 (312)
30	20	122 (165)	325 (440)		449 (608)
33	22		443 (600)		611 (828)
36	24	211 (286)	563 (763)		778 (1054)
41	27		821 (1112)		1138 (1542)
46	30	418 (566)	1119 (1516)		1547 (2096)

\*Use 75% of the specified torque value for plated fasteners. Use 85% of the specified torque values for lubricated fasteners.

NOTES



**New PECO, Inc.**

**10 Walden Dr | Arden, North Carolina 28704**

**Phone: 1-800-438-5823 | 828-684-1234**

**Fax: 828-684-0858**

**Email: [peco@lawnvac.com](mailto:peco@lawnvac.com)**

**Website: [www.lawnvac.com](http://www.lawnvac.com)**