



PTO GRASS COLLECTION SYSTEM

DESIGNED FOR:
Magnum Series

Model# 38120901, 38120902, 38120903 & 38120904
Magnum 2244, 2250, 2350, 2460, 2550BR, 2550KO, 2250R,
2560BR, 2560KO, 2460R
Magnum HP 2250HP, 2750EFI, 2460HP & 2760EFI



2012-2017

OPERATOR'S MANUAL

ASSEMBLY • OPERATION • MAINTENANCE

GRASS COLLECTION SYSTEM

TABLE OF CONTENTS

SECTION	PAGE	SECTION	PAGE
Safety	2	2-14 Length Of Hose Adjustment	16
Safety Alert Symbols	3	2-15 Upper Hose Installation	16
Warranty	4	2-17 Lower Hose To Blower Cone Installation	16
I INTRODUCTION AND DESCRIPTION	5	2-18 Lower Hose To Boot Installation	16
1-1 Introduction	5	2-19 Impeller Blade Removal/Replacement	17
1-2 Description	5	2-20 Weight Kit Installation	18
II INSTALLATION FOR USE	5	2-21 Installation/Removal of Collection Bags	19
2-1 Preparation Of Mower	5	III OPERATING INSTRUCTIONS	20
2-2a Frame Bracket installation	6	3-1 General Safety	20
2-3a PTO Mount Plate Component Installation	7	3-2 Operation & Tips On Mowing	20
2-2b Frame Bracket Installation (W/O ROPS)	8	3-3 Disengagement Of The Blower	20
2-3b PTO Mount Plate Component Installation (W/O ROPS)	9-10	3-4 Unloading The Collection System	20
2-4 PTO Assembly Installation	11	IV MAINTENANCE	20
2-5 Belt Installation and Adjustment	12	4-1 Maintenance Checklist	20-21
2-6 Exhaust Diverter Installation	12	4-2 Lubrication	21
2-7 Blower Cone Installation	13	V PARTS AND SERVICE	21
2-8 Lower Mount tube Installation	13	5-1 Parts And Service Information	21
2-9 Upper Frame Assembly Installation	13	Exploded Views and Parts Lists	22-29
2-10 Top Assembly To Upper Frame Assembly Installation	13	Trouble Shooting Vacuum System	30
2-11 Inlet Installation	13	Even Bag Fill Adjustment	31
2-12 Hinge Kit Assembly Installation	14	Safety Decals	32
2-13 Boot To Mower Deck Installation	14-15	Torque Specifications	33

Safety

- 1.** Read the operator's manual carefully and familiarize yourself with the proper use of your attachment. Do not allow anyone who is not acquainted with the Safety Instructions to use your attachment.
- 2.** Know the controls and how to stop quickly. **READ THE OPERATOR'S MANUAL!**
- 3.** Do not allow children to operate the vehicle. Do not allow adults to operate it without proper instruction.
- 4.** Be especially watchful of children and pets darting into the area while operating.
- 5.** Keep your eyes and mind on your unit while mowing or operating your attachment. Don't let others distract you.
- 6.** Do not attempt to operate your unit or mower when not in the driver's seat.
- 7.** Always stop unit when emptying the container.
- 8.** Stop unit, shut off deck attachment, set parking brake, shut off mower engine and remove spark plug wire before removing clogs, removing or replacing hose, boot, blower cone, or performing any maintenance.
- 9.** Mow across the face of slopes (not steeper than 10 degrees); never up and down the face.
- 10.** It is recommended that the container be kept only half full when negotiating any slopes. Start mowing on slopes when the container is empty.
- 11.** Inspect your lawn and remove any foreign objects before mowing. Never deliberately run the mower across any foreign object.
- 12.** Wear ear protection if the noise level is offensive.
- 13.** Wear eye protection to prevent debris from damaging your eyes.

SAFETY

WARNING! **NEVER** operate the mower unless the discharge guard and either the deflector assembly or the vacuum collector adapter are fastened securely in place.

WARNING! Do not work around the mower deck boot or the blower area until you are certain that the mower blades and the blower impeller have stopped rotating.

WARNING! To avoid serious injury, perform maintenance on the vacuum collector; **ONLY AFTER STOPPING THE MOWER'S ENGINE AND WAITING FOR ALL MOVING PARTS TO COME TO A COMPLETE STOP.** Set the parking brake. Always remove the ignition key before beginning maintenance.

WARNING! For your own personal safety, **ALWAYS** mow **ACROSS** the face of slopes and **NEVER UP and DOWN** the face. **NEVER** attempt to mow excessively steep slopes, and use caution when turning on any slope.

Safety Alert Symbol



This Safety Alert Symbol means: **“ATTENTION! BECOME ALERT! YOUR SAFETY IS INVOLVED!”**

This symbol is used to call attention to safety precautions that should be followed by the operator to avoid accidents. When you see this symbol, carefully read the message that follows and heed its advice. Failure to comply with safety precautions could result in death or serious bodily injury.

Safety Signs

The signal words **DANGER**, **WARNING**, and **CAUTION** are used on the equipment safety signs. These words are intended to alert the viewer to the existence and the degree of hazard seriousness.



White letters on **RED**

This signal word indicates a potentially hazardous situation which, if not avoided, will result in death or serious injury.



Black letters on **ORANGE**

This signal word indicates a potentially hazardous situation which, if not avoided, could result in death or serious injury.

It may also be used to alert against unsafe practices.



Black letters on **YELLOW**

This signal word indicates a potentially hazardous situation exist which, if not avoided, will result in minor or moderate injury.

It may also be used to alert against unsafe practices.

PECO LIMITED WARRANTY FOR NEW PRODUCTS

A. WHAT IS UNDER WARRANTY?

PECO extends the following warranties to the original purchaser of each new PECO consumer product subject to the following limitations.

1. PRODUCT WARRANTY: Any part of any consumer product, which is defective in material or workmanship as delivered to the purchaser will be repaired or replaced, as PECO elects, without charge for parts or labor, if the defect appears within 12 months from the date of delivery of the product to the original purchaser.

ALL DEFECTIVE PARTS MUST BE RETURNED TO PECO FOR INSPECTION TO DETERMINE VALIDITY OF WARRANTY CLAIMS. Freight and mailing will be borne by the customer.

2. PARTS REPLACED DURING WARRANTY: Any new PECO part which is furnished in performance of this warranty and is defective in material or workmanship as delivered to the purchaser will be repaired or replaced, as PECO elects, without charge if the defect appears within 90 days from the date of installation of such part or before the expiration of the original warranty period, whichever is later.

B. SECURING WARRANTY ADJUSTMENTS.

Call PECO for Return Authorization. Damaged or broken parts other than engines or batteries, must be returned to New PECO, Inc. 10 Walden Dr., Arden, NC 28704 before any warranty adjustment can be authorized. At the time of requesting warranty adjustment, the purchaser must present evidence of the date of delivery of the product. The purchaser shall pay any charge for the product to and from Arden, NC.

C. ITEMS NOT COVERED BY PECO WARRANTY.

Engines and batteries attached to PECO products are covered under a separate warranty by the respective manufacturer.

D. UNAPPROVED ALTERATION OR MODIFICATION.

All obligations of New PECO, Inc. under this warranty shall be terminated if products are altered or modified in ways not approved by New PECO, Inc.

E. ACCIDENTS AND NORMAL MAINTENANCE.

The warranty covers only defective material and workmanship. It does not cover depreciation or damage caused by normal wear, accident, improper use or abuse of products. The cost of normal maintenance and normal replacement of service items such as belts, cutting blades, hoses, etc., which are not defective shall be paid for by the purchaser.

F. NO REPRESENTATIONS ADDITIONAL WARRANTIES, DISCLAIMER.

Neither New PECO, Inc. nor any company affiliated with it makes any warranties, representations or promises as to the quality of performance of its products other than those set forth herein. Except as described above, New PECO, Inc. makes no other warranties **AND SPECIFICALLY DISCLAIMS ANY AND ALL IMPLIED WARRANTIES OF FITNESS AND MERCHANTABILITY.**

G. ANY MACHINE USED FOR RENTAL PURPOSES ARE GUARANTEED FOR 45 DAYS FROM DATE OF ORIGINAL SALE ONLY.

H. REMEDIED EXCLUSIVE.

The only remedies the purchaser has in connection with the breach or performance of any warranty on New PECO, Inc. consumer products are set forth above. In no event will PECO be liable for special incidental or consequential damages.

1. NO SERVICE CENTER WARRANTY.

The selling Service Center makes no warranty on his own on any item warranted by New PECO, Inc. unless he delivers to purchaser a separate written warranty certificate specifically warranting the item. The dealer has no authority to make any representation or promise on behalf of PECO or to modify the terms of this warranty in any way.

Section I INTRODUCTION & DESCRIPTION

1-1 Introduction

Your grass collection system has been designed to give you a low maintenance, simple, and effective way to collect the grass clippings from your mower. This manual is provided to give you the necessary instructions to properly mount and operate the collection system on your mower. Please read this manual thoroughly. Understand what each control is for and how to use it. Observe all safety decal precautions on the machine and noted throughout the manual.

NOTE: All references made to right, left, front, rear, top or bottom are as viewed from the normal operator's position on the mower.

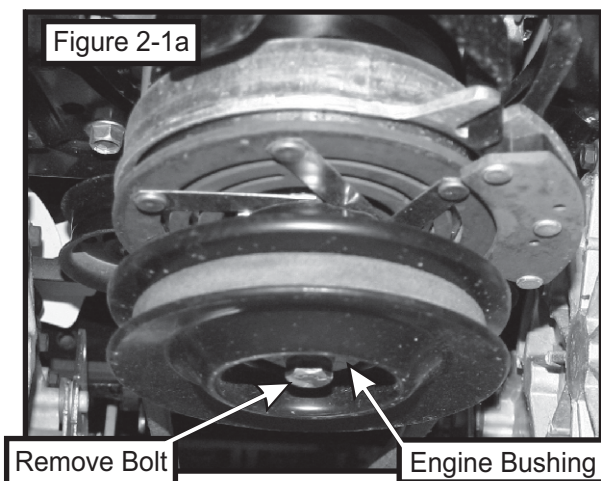
1-2 Description

The grass collection system is designed for turf maintenance where there is a need to collect the grass clippings as the mower cuts the turf. It is also used for picking up leaves in pre-season and post-season clean-up. The blower, mounted on the right side of the unit, uses a belt and gearbox system from the engine PTO shaft. Drive train protection comes through belt slippage. The blower draws grass clippings from the discharge area of the cutting deck back to the (2) - 4 cubic foot collection bags P#(G0003) at the rear portion of the mower frame. The operator can engage the blower with a spring-lock engagement handle on the right side of the unit. Once the bags are full with clippings, they can be easily released for dumping.

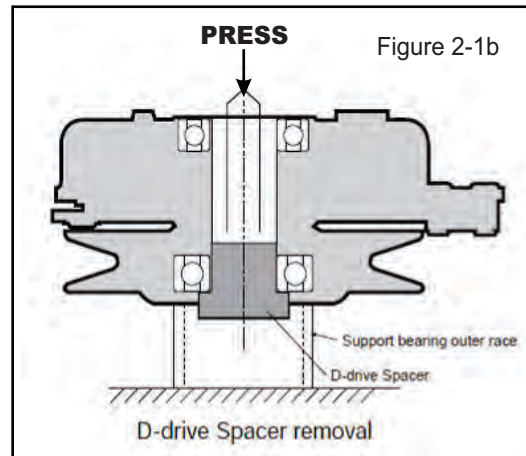
Section II INSTALLATION FOR USE

2-1 Preparation Of Mower

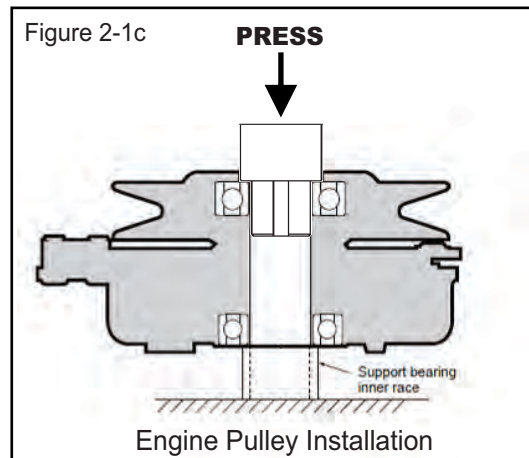
From the underside of the engine, disconnect the wiring harness attached to the electric clutch. Remove the bolt and electric clutch from the mower. Refer to Figure 2-1a.



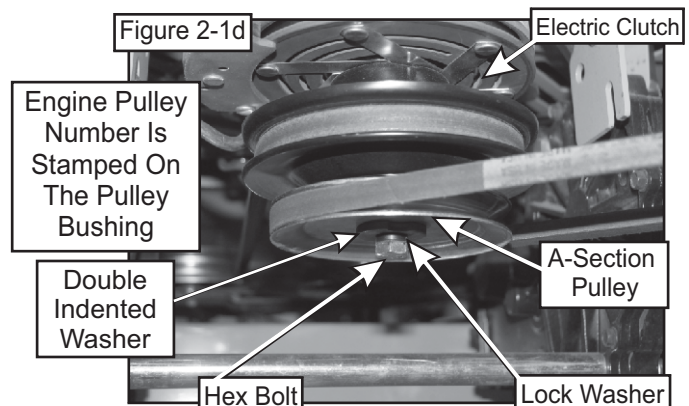
Remove the D-drive spacer using an arbor press or equivalent. On removal, adjacent bearing OUTER race must be supported or bearing damage may occur. Refer to Figure 2-1b.



The engine pulley bushing #12 P#(S0197) may need to be installed using an arbor press or equivalent. If pressing is needed, opposite bearing inner race must be supported or bearing damage may occur. Refer to Figure 2-1c.



Fasten the A-Section pulley P#(M0266) to the bushing #12 P#(S0197) and to the electric clutch assembly using (1) 7/16" hi-collar lock washer P#(K0140), (1) 7/16" double indented washer P#(K0278) and (1) 7/16"-20 x 4" HHCS P#(K0359) as shown in Figure 2-1d. The added pulley will power the collection system. Torque the bolt to 55 ft./lbs. Re-connect the wiring harness to the electric clutch.



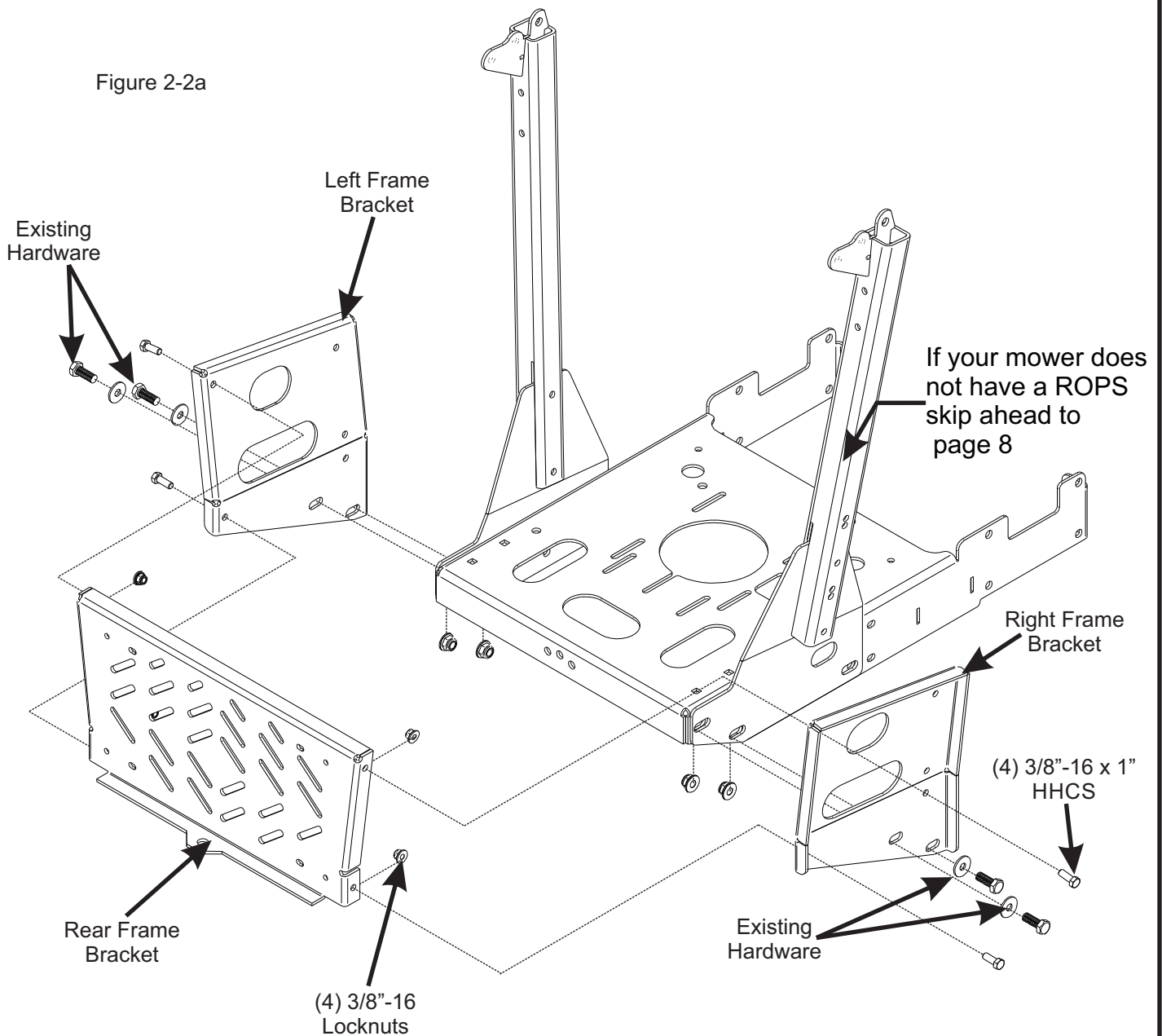
2-2a Frame Bracket Installation (For Mowers With ROPS)

Remove the rear bumper and hardware from the rear frame of the mower.

Secure the right frame bracket P#(B0768) and left frame bracket P#(B0769) to the rear frame of the mower using the existing hardware as shown in Figure 2-2a. **Leave the hardware finger tight until the PTO mount plates have been installed.**

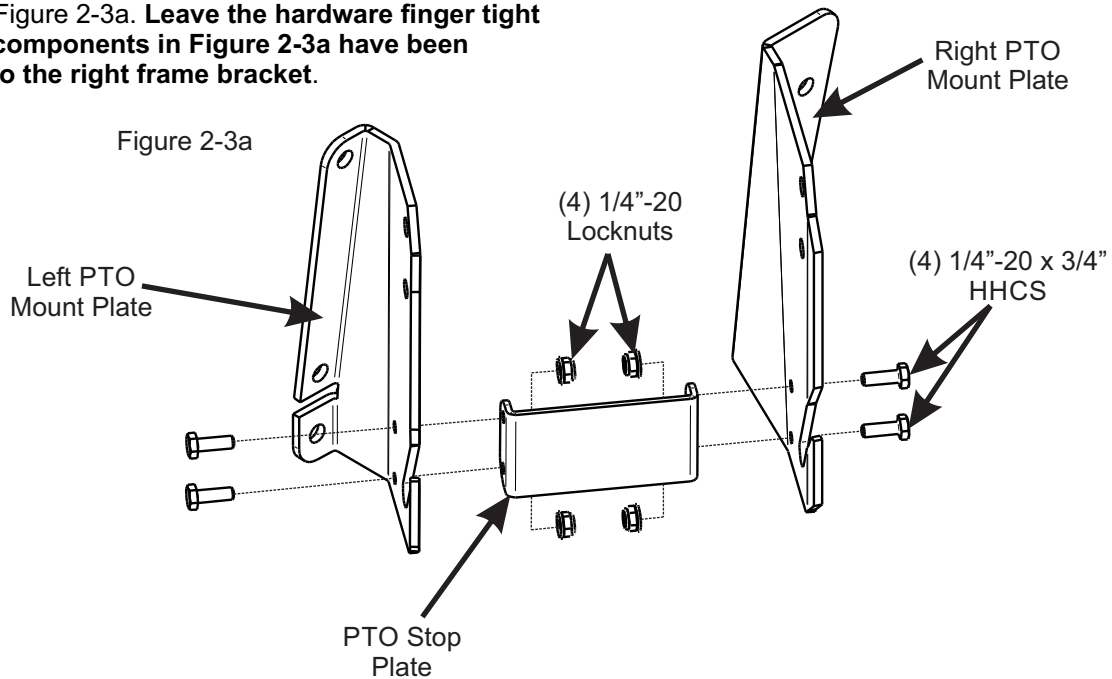
Secure the rear frame bracket P#(B0770) to the left and right frame brackets, using (4) 3/8"-16 x 1" HHCS P#(K1191) and (4) 3/8"-16 nylon flange locknut P#(K2038).

Figure 2-2a

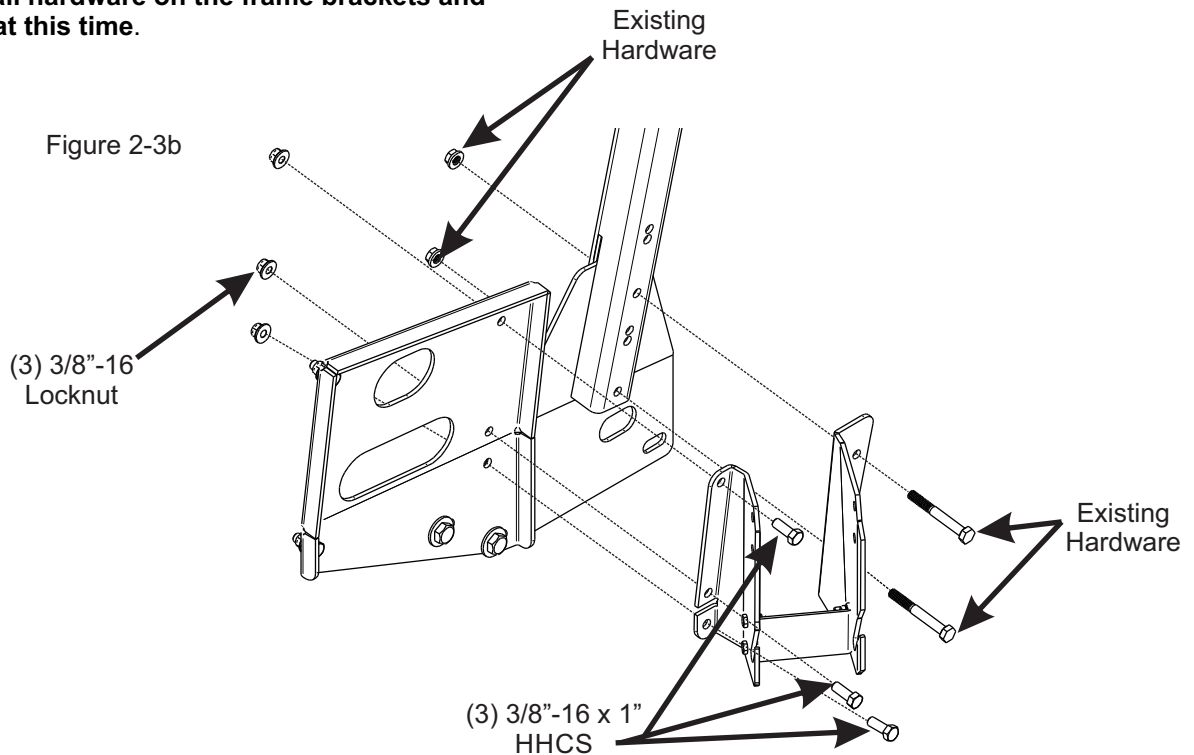


2-3a PTO Mount Plate Component Installation (For Mowers With ROPS)

Secure the left PTO mount plate P#(B0771) and the right PTO mount plate P#(B0772) to the PTO stop plate P#(B0733) using (4) 1/4"-20 x 3/4" HHCS P#(K1222) and (4) 1/4"-20 nylon flange locknuts P#(K2014) as shown in Figure 2-3a. **Leave the hardware finger tight until the components in Figure 2-3a have been secured to the right frame bracket.**



Secure the PTO mount plate components to the right frame bracket using (3) 3/8"-16 x 1" HHCS P#(K1191), (3) 3/8"-16 nylon flange locknuts P#(K2038) and the existing hardware from the R.O.P.S as shown in Figure 2-3b. **Tighten all hardware on the frame brackets and mount plates at this time.**



2-2b Frame Bracket Installation (For Mowers Without ROPS 2015-2016)

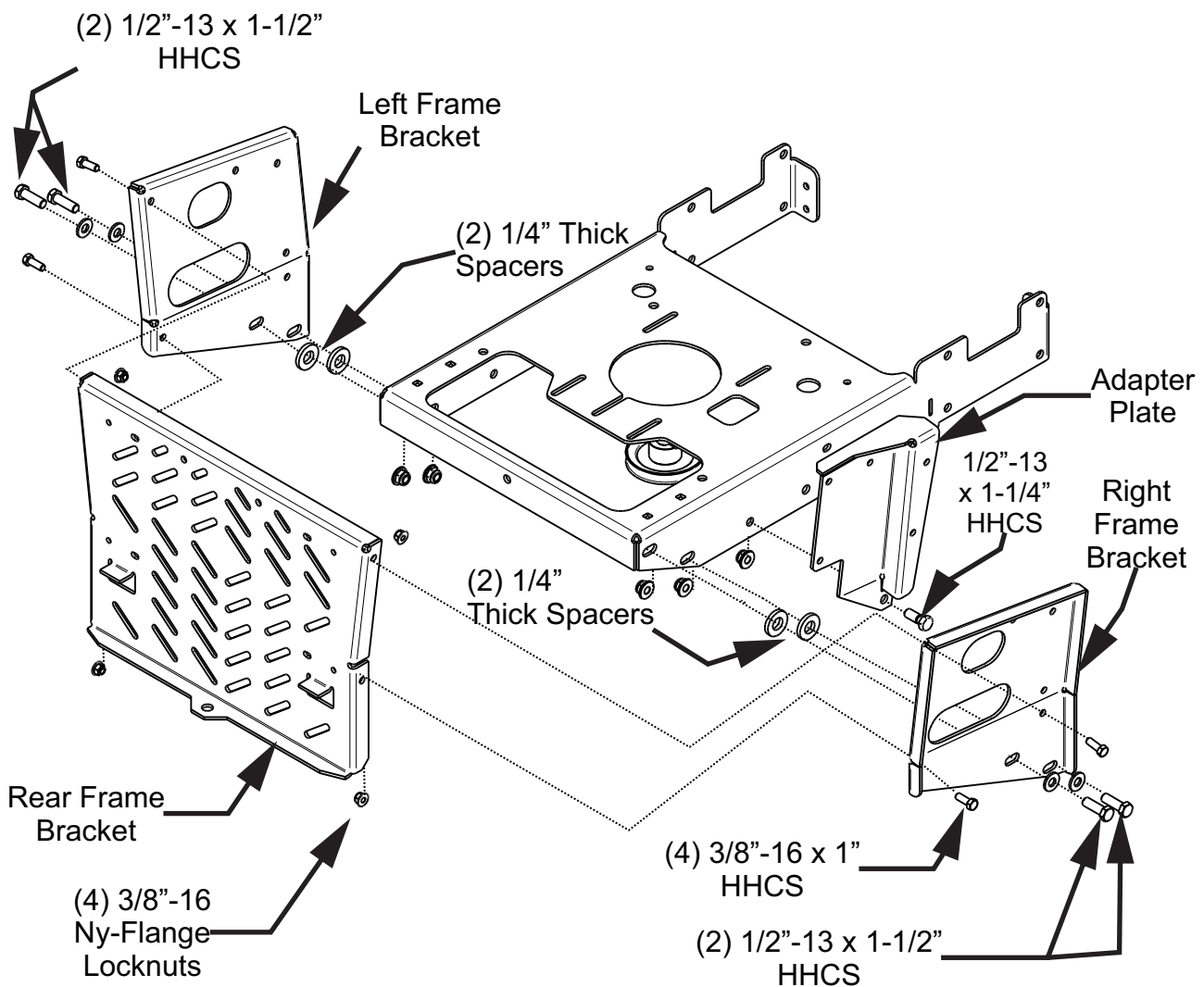
Remove the rear bumper and hardware from the rear frame of the mower.

Note: Leave all hardware loose until the Support Straps have been installed. (Section 2-3b)

Secure the left frame bracket P#(B0769) to the rear frame using (2) 1/2"-13 x 1-1/2" HHCS P#(K1042), (2) 1/2" Flat Washers P#(K0400), (2) 1/4" Thick Spacers P#(K0067) and (2) 1/2"-13 Ny-Flange Locknuts P#(K2012). Next, secure the Adapter Plate P#(B0965) to the right side of frame using (1) 1/2"-13 x 1-1/4" HHCS P#(K0342), (1) 1/2" Flat Washer P#(K0400) and (1) 1/2"-13 Ny-Flange Locknut P#(K2012). Continue by securing the Right Frame Bracket P#(B0768) to the rear frame, as shown, using (2) 1/2"-13 x 1-1/2" HHCS P#(K1042), (2) 1/2" Flat Washers P#(K0400), (2) 1/4" Thick Spacers P#(K0067) and (2) 1/2"-13 Ny-Flange Locknuts P#(K2012) each.

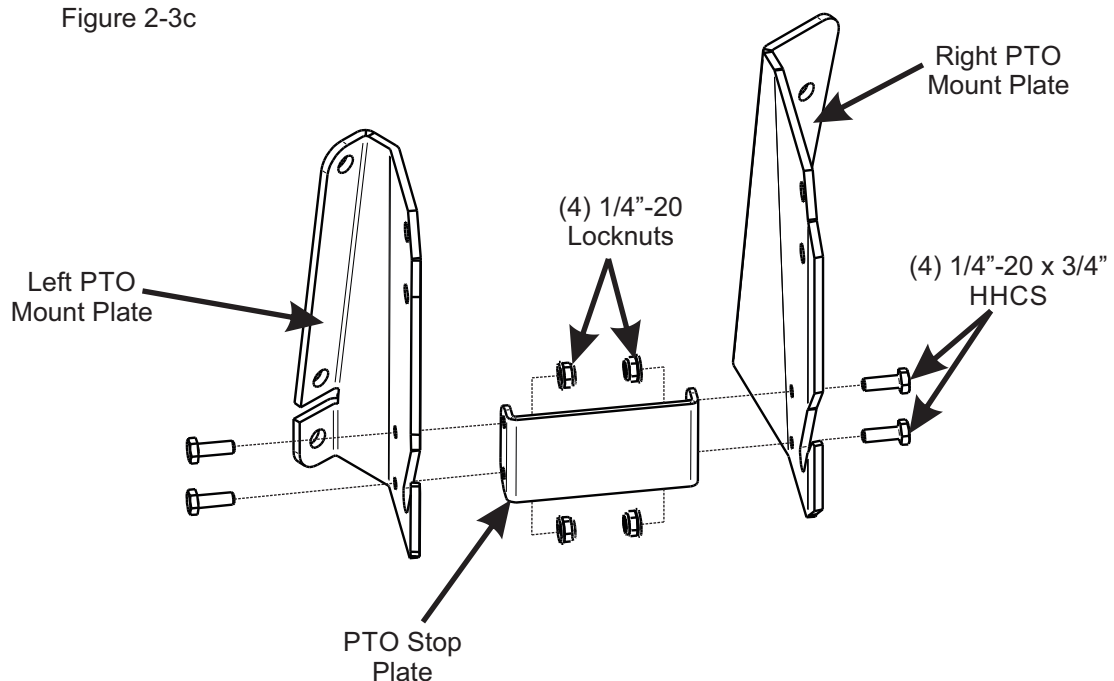
Secure the rear frame bracket P#(B0770) to the left and right frame brackets, using (4) 3/8"-16 x 1" HHCS P#(K1191) and (4) 3/8"-16 Ny-Flange locknuts P#(K2038).

Figure 2-2b

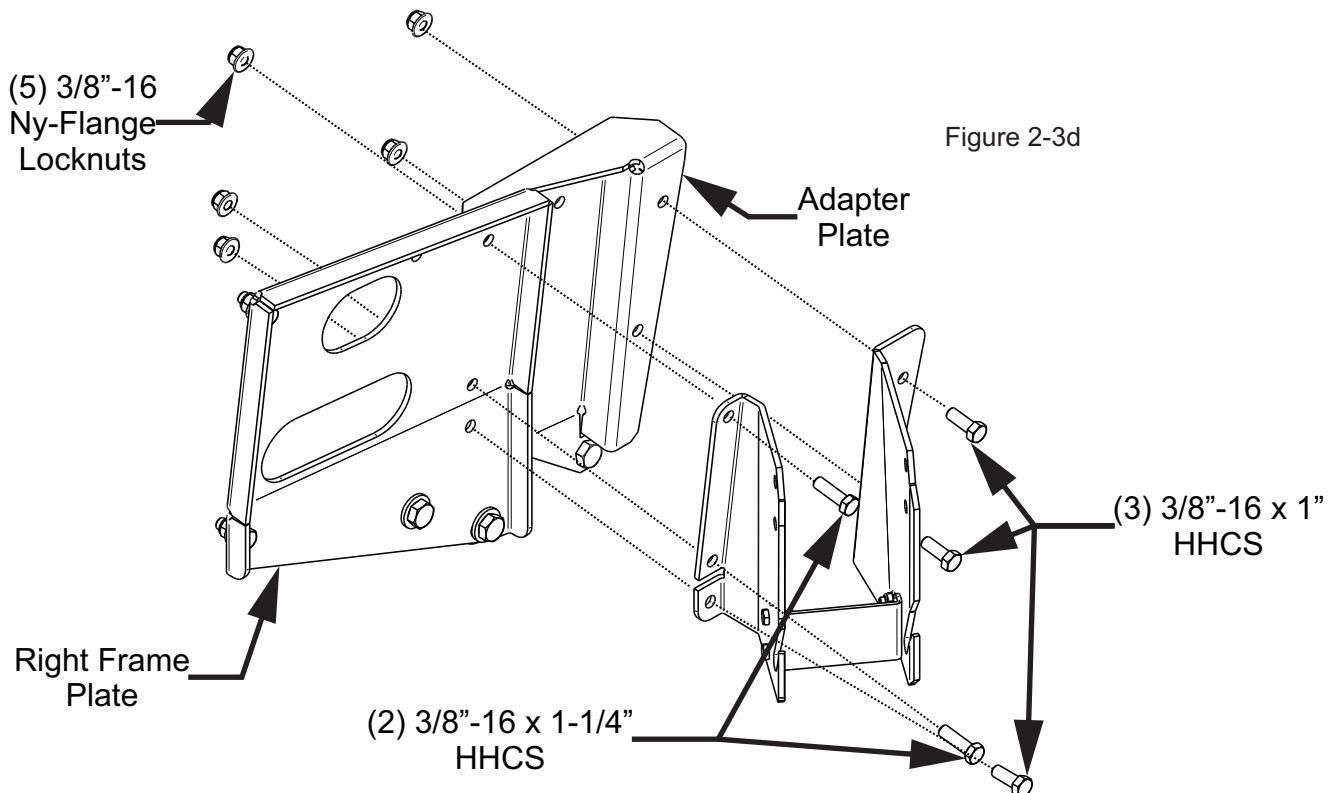


2-3b PTO Mount Plate Component Installation (For Mowers Without ROPS)

Secure the left PTO mount plate P#(B0771) and the right PTO mount plate P#(B0772) to the PTO stop plate P#(B0733) using (4) 1/4"-20 x 3/4" HHCS P#(K1222) and (4) 1/4"-20 nylon flange locknuts P#(K2014) as shown in Figure 2-3c. **Leave the hardware finger tight until after section 2-3b.**



Secure the PTO mount plate components to the right frame bracket and adapter plate using (3) 3/8"-16 x 1" HHCS P#(K1191), (2) 3/8"-16 x 1 1/4" HHCS P#(K1192) and (5) 3/8"-16 nylon flange locknuts P#(K2038) as shown in Figure 2-3d. **Leave the hardware finger tight until after section 2-3b.**

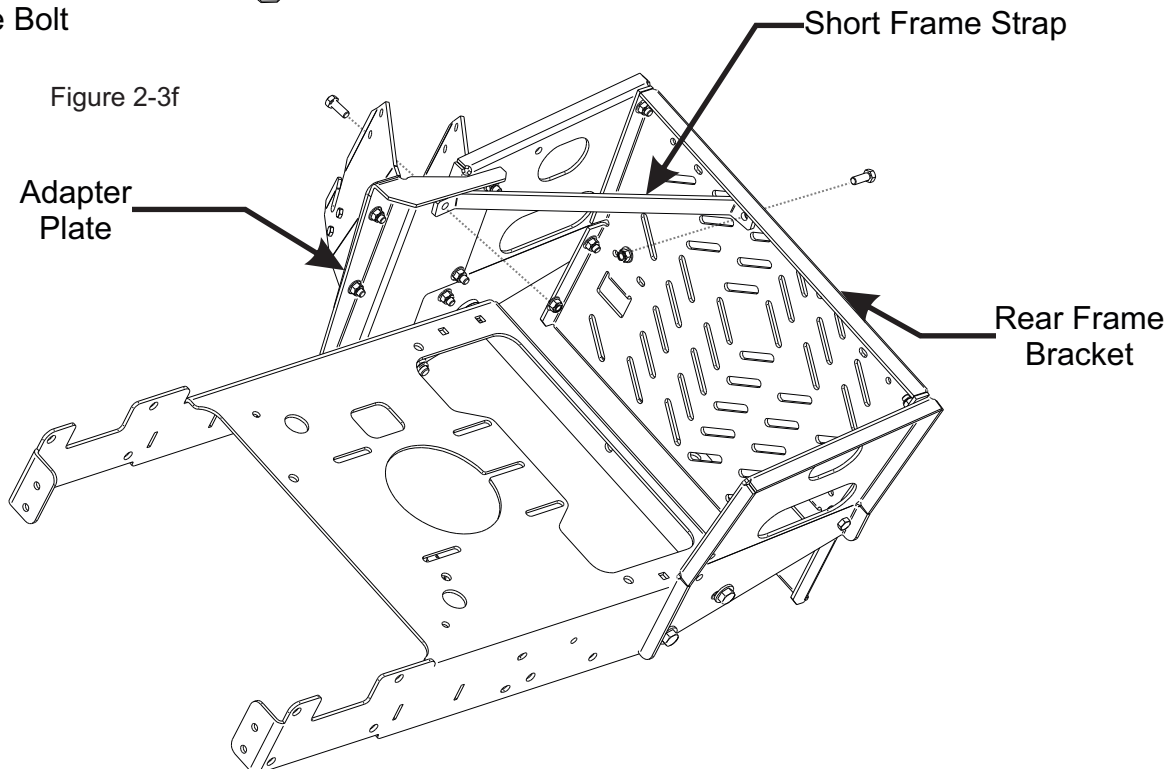
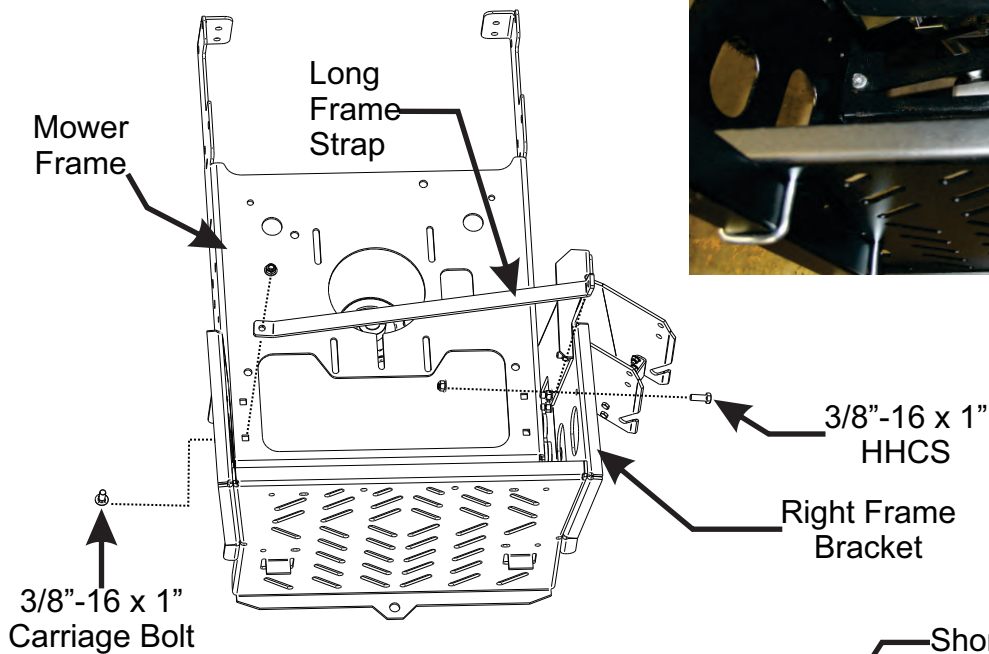


2-3c Support Strap Installation (For mowers without ROPS)

Starting with the Long Strap P#(B0969), place inside the frame as shown in Figure 2-3e and secure to the Right Frame Bracket and the Mower Frame with (1) 3/8"-16 x 1" HHCS P#(K1191), (1) 3/8"-16 x 1" Carriage Bolt P#(1182) and (2) 3/8"-16 Ny-Flange Locknuts P#(K2038). Next, place the Short Frame Strap between the Adapter Plate and the Rear Frame Bracket and secure with (2) 3/8"-16 x 1" HHCS P#(K1191) and (2) 3/8"-16 Ny-Flange Locknuts P#(K2038). Refer to Figure 2-3f

Tighten all bolts at this time to the recommended torque. See Page 32

Figure 2-3e



2-4 PTO Installation

Insert the PTO assembly P#(A1840) into the PTO mount plate assembly and secure using (1) PTO mount pin P#(B0274) and (1) hair pin clip P#(K0086) as shown in Figure 2-4a and 2-4b.

Figure 2-4a

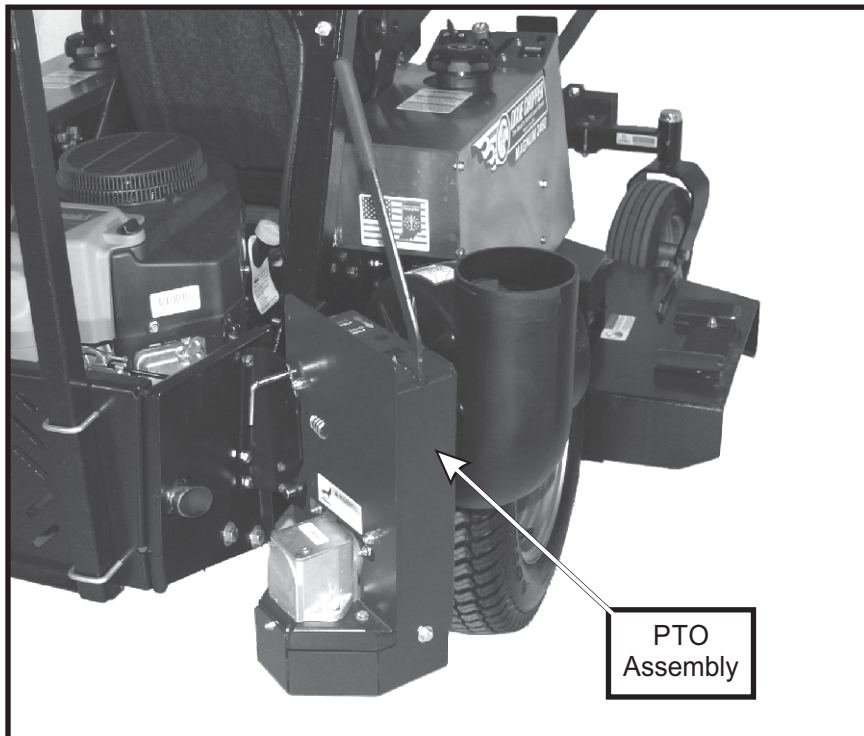
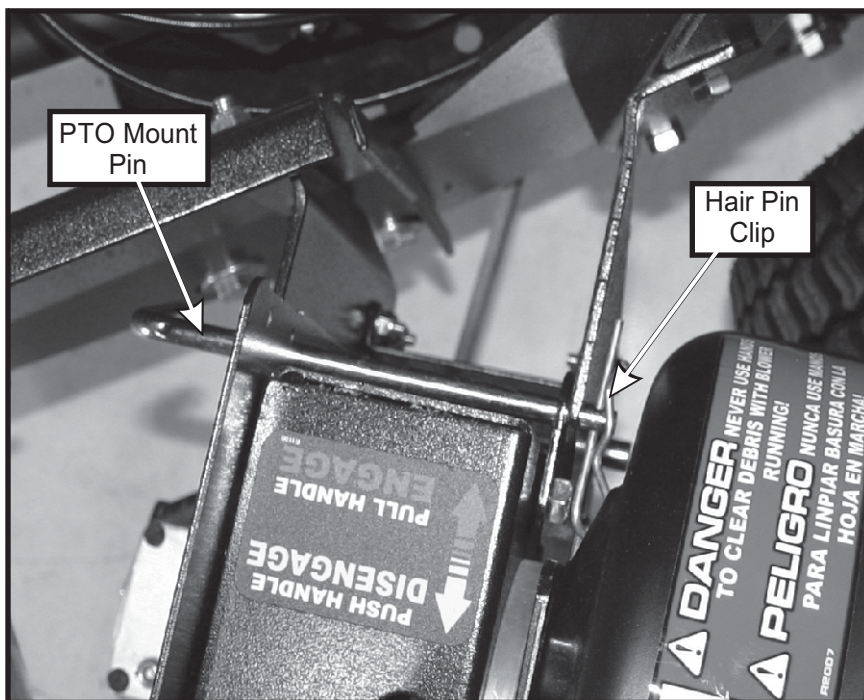


Figure 2-4b



2-5 Belt Installation/Removal and Adjustment

Installation: Remove the belt guard before belt installation. With the PTO mount pin P#(B0274) removed, loosen the (4) 5/16"-18 x 3/4" HHCS P#(K1153) that secure the gear box to the PTO assembly. Loosen the adjustment bolt (1) 3/8"-16 x 2" hex bolt P#(K0348). Refer to Figure 2-5a and 2-5b.

Figure 2-5a

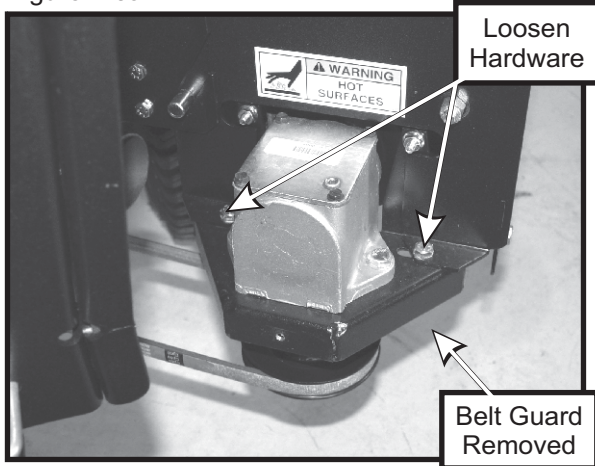
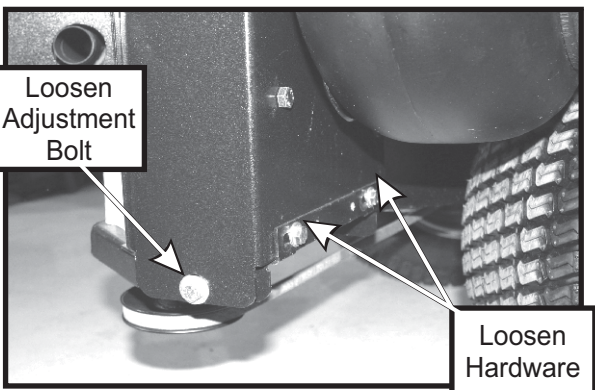
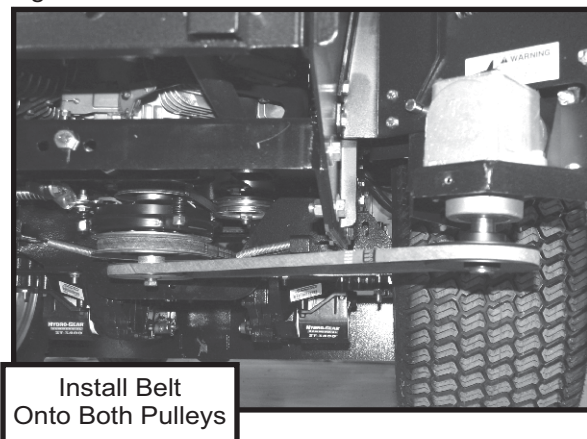


Figure 2-5b



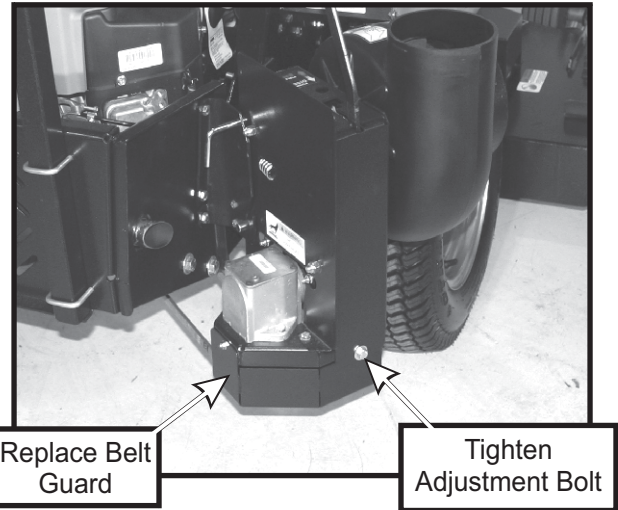
Slide the gearbox towards the mower until there is enough clearance for the kevlar belt to slide over both the engine and gearbox pulleys. Install the A53K kevlar belt P#(M0247). Insert the PTO mount pin P#(B0274), and secure the pin with (1) hair pin clip P#(K0086). Refer to Figure 2-5c.

Figure 2-5c



Adjustment: To adjust the belt tension, turn the adjustment bolt clockwise until there is 1" of deflection, with 10-11lbs of pressure applied to the center of the belt. When the belt has the proper tension, tighten the (4) 5/16"-18 x 3/4" HHCS that secure the gear box to the PTO assembly. Replace the belt guard and (3) 1/4"-20 x 1/2" HHSTS. Refer to Figure 2-5d.

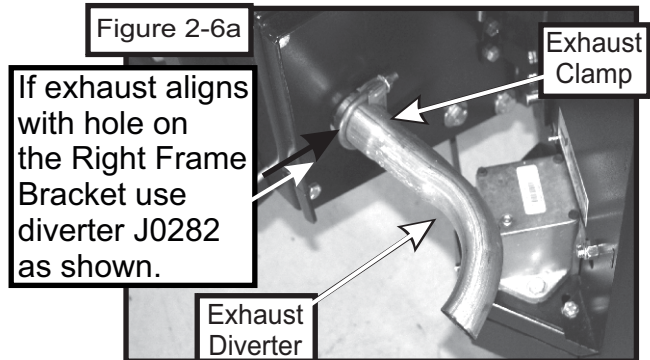
Figure 2-5d



2-6 Exhaust Diverter Installation

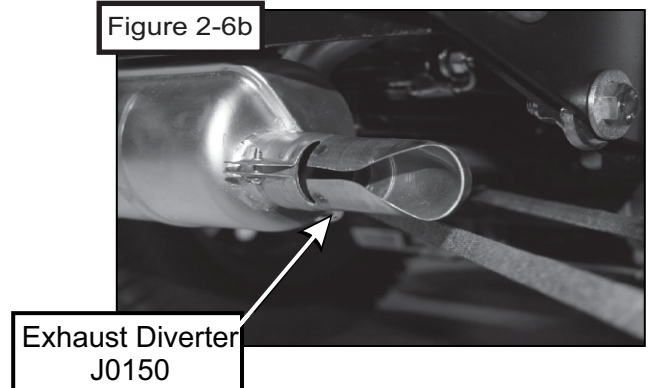
Insert the exhaust diverter P#(J0282) on the muffler and position so the exhaust does not blow on the collection bags or gear box. Secure the diverter with (1) exhaust clamp P#(X1064). Refer to Figure 2-6a.

Figure 2-6a



If muffler is below Right Frame Plate use exhaust diverter P#(J0150) and secure with screw provided. See Figure 2-6b

Figure 2-6b



2-7 Blower Cone Installation

Secure the 8" aluminum blower cone P#(E8004) to the plastic blower housing, using (3) 1/4"-20 x 3/4" HHCS P#(K1222), (3) 1/4" lock washers P#(K0039) and (3) 1/4" flat washers P#(K0037). Refer to Figure 2-7.

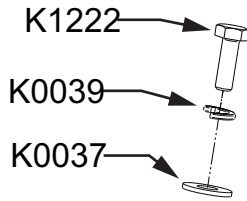


Figure 2-7

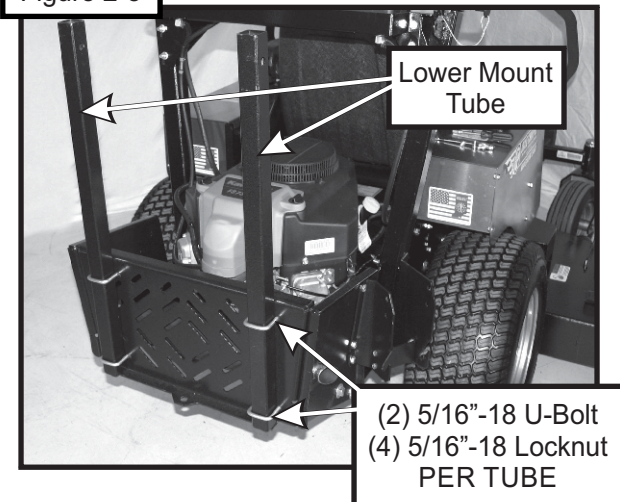


Blower Cone

2-8 Lower Mount Tube Installation

Secure the (2) lower mount tubes P#(B0640) to the rear frame bracket using (2) 5/16"-18 u-bolts P#(K1098) and (4) 5/16"-18 nylon flange locknuts P#(K2516) **PER TUBE**. Refer to Figure 2-8.

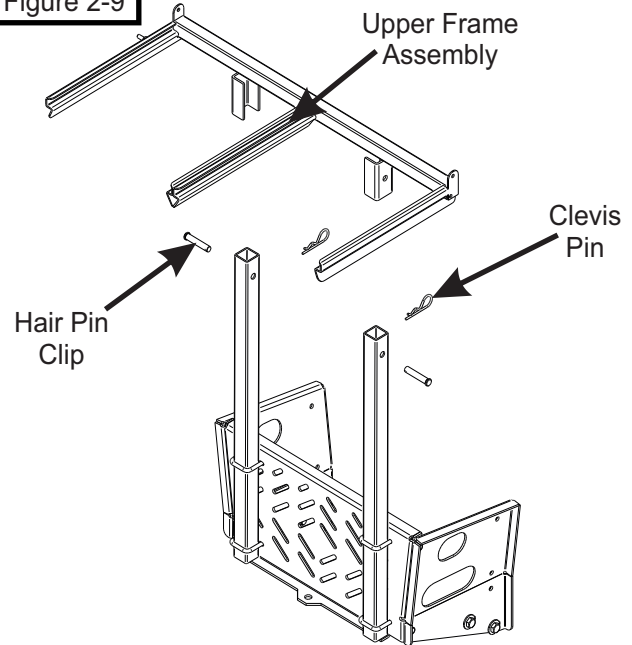
Figure 2-8



2-9 Upper Frame Assembly Installation

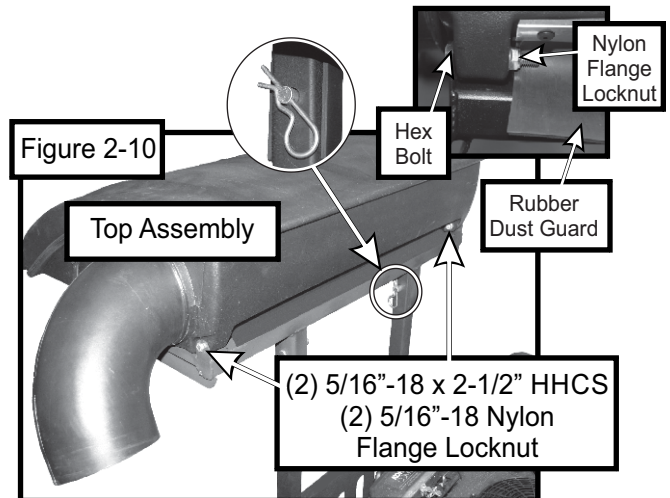
Position the upper frame assembly P#(A1114) above the lower mount tubes as shown in Figure 2-9. Lower the upper frame assembly onto the lower mount tubes and secure using (2) clevis pins P#(K0133) and (2) hair pin clip P#(K0088).

Figure 2-9



2-10 Top Assembly To Upper Frame Assembly Installation

Position the top assembly P#(A1028) above the upper frame assembly with the Rubber Dust Guard positioned towards the seat as shown in Figure 2-10. Fasten the top assembly to the upper frame assembly using (2) 5/16"-18 x 2-1/2" HHCS P#(K0125) and (2) 5/16"-18 nylon flange locknuts P#(K2516). Leave the locknuts slightly loose, to allow the top assembly to open and close easily. Refer to Figure 2-10 for hardware location.



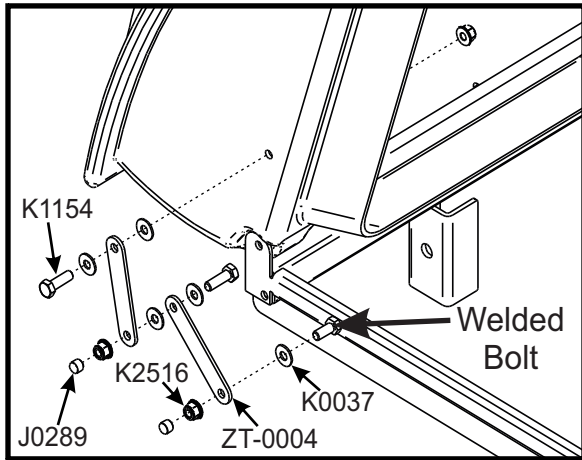
2-11 Inlet Installation

Insert the Inlet P#(V0019) into the hole on the top assembly from the inside and then snap the inlet into place. The inlet should pivot freely about the hole.

2-12 Hinge Kit Assembly Installation

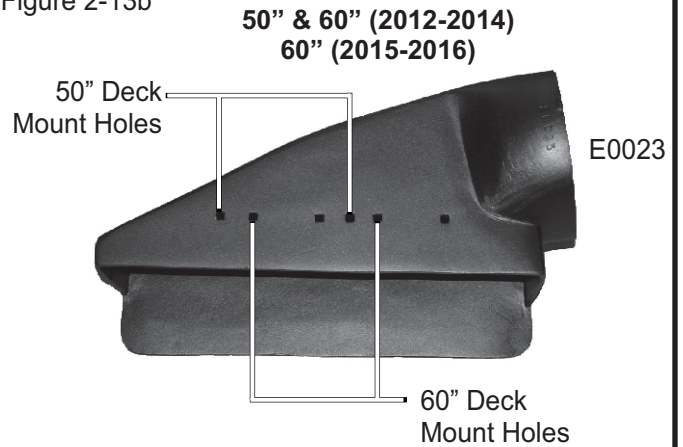
Assemble the hinge kit as shown in Figure 2-12, using (2) 5/16"-18 x 1" HHCS P#(K1154), (3) 5/16"-18 nylon flange locknuts P#(K2516), (5) 1/4" flat washers P#(K0037) and (2) swing arm brackets P#(ZT-0004). Place (1) vinyl cap P#(J0289) on the end of the hex bolts as shown in Figure 2-12. Leave the nuts loose enough to allow fluid movement of the top when opening and closing. When opened, the top should rest on the middle joint of the hinge allowing it to remain up.

Figure 2-12



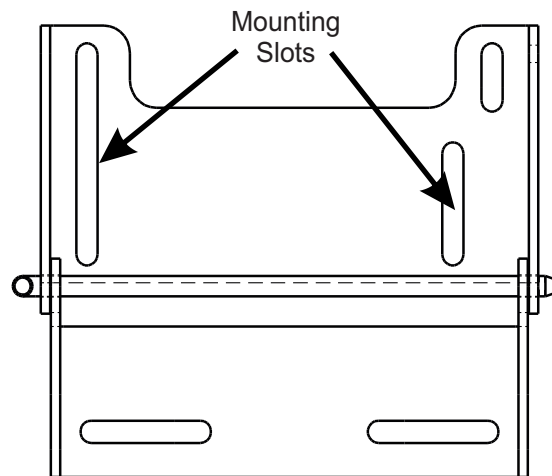
Use boot P#(E0023) on the 50" & 60" deck models ranging from 2012-2014 and all 60" deck models from 2015-2016.

Figure 2-13b



Secure the deck mount plate P#(B0774) to the mower deck using the slots shown in Figure 2-13c.

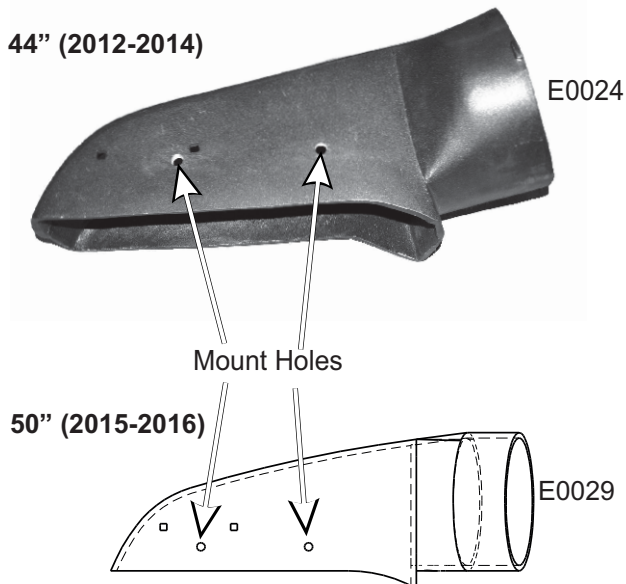
Figure 2-13c



2-13 Boot To Mower Deck Installation

Use boot P#(E0024) on the 44" deck models. On 50" deck models from 2015-2016 use boot E0029. Refer to Figure 2-13a for boot hole mounting locations.

Figure 2-13a



2-13 Boot To Mower Deck Installation

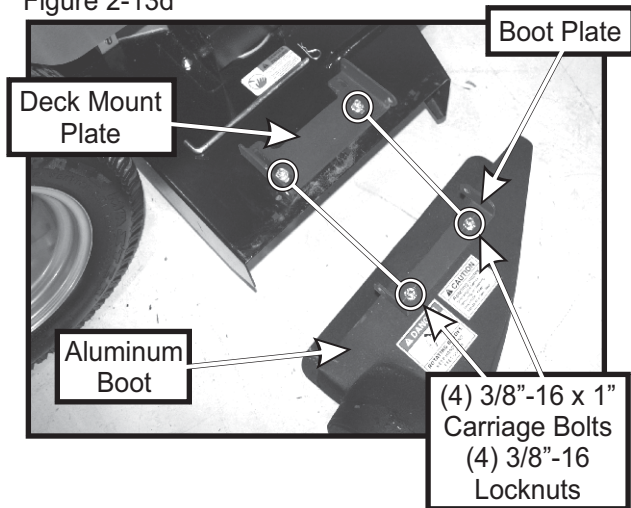
44" Decks

50" & 60" Decks

NOTE: Remove all grass deflector and/or mulching hardware from the mower deck before proceeding.

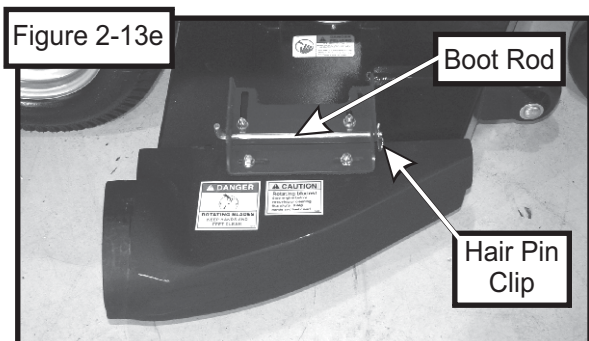
Position the boot plate P#(B0775) onto the top of the aluminum boot P#(E0023) as shown in Figure 2-13d. Secure the boot plate to the boot using (2) 3/8"-16 x 1" carriage bolts P#(K1182) and (2) 3/8"-16 nylon flange locknuts P#(K2038). Insert the bolts from the inside of the boot so that the locks nuts are on top of the boot plate. This will prevent grass clippings from collecting on the bolt threads. Position the deck mount plate onto the top of the mower deck as shown in Figure 2-13a. Secure the deck mount plate to the mower deck using (2) 3/8"-16 x 1" carriage bolts P#(K1182) and (2) 3/8"-16 nylon flange locknuts P#(K2038). Insert the bolts from the underside of the mower deck. Refer to Figure 2-13d.

Figure 2-13d



Align the holes in the boot plate with the holes in the deck mount plate. Insert the boot rod P#(B0333) into the mounting holes and secure with (1) hair pin clip P#(K0099). Refer to Figure 2-13e.

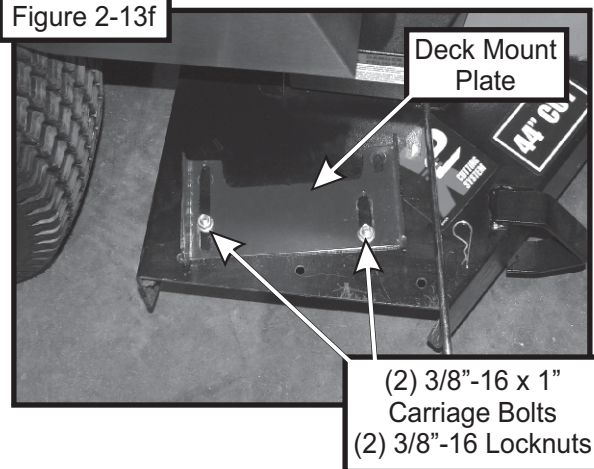
With all the carriage bolts still finger tight, use the slots in the deck mount plate and the boot plate to position the boot so that the front inside corner of the boot is flush to the front outside edge of the mower deck. Also check for clearance between the mowers blade and the bottom edge of the boot. Once the boot is positioned correctly, tighten all the hardware.



NOTE: Remove all grass deflector and/or mulching hardware from the mower deck before proceeding.

With the grass deflector removed, secure the deck mount plate P#(B0774) to the mower deck using (2) 3/8"-16 x 1" carriage bolts P#(K1182) and (2) 3/8"-16 nylon flange locknuts P#(K2038). Leave the hardware loose so that the position of the deck mount plate can be adjusted. Insert the bolts from the underside of the mower deck. Refer to Figure 2-13f.

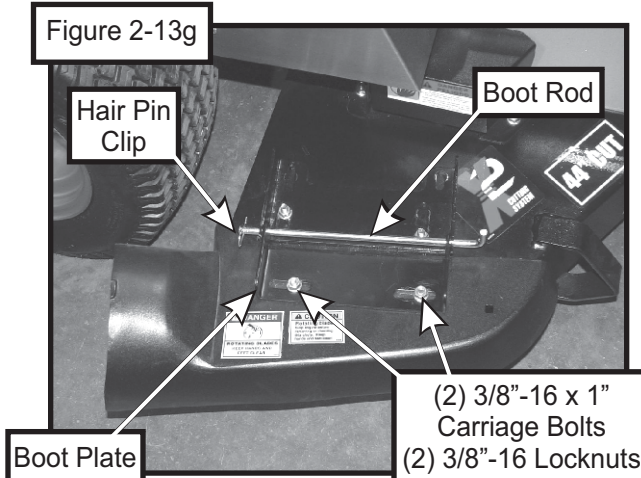
Figure 2-13f



Secure the boot plate P#(B0775) to the boot P#(E0024) using (2) 3/8"-16 x 1" carriage bolts P#(K1182) and (2) 3/8"-16 nylon flange locknuts P#(K2038). Insert the bolts from the inside of the boot so that the locks nuts are on top of the boot plate. This will prevent grass clipping from collecting on the bolt threads.

Attach the boot plate to the deck mount plate using (1) boot rod P#(B0333) and (1) hair pin clip P#(K0099). With the mounting hardware loose, adjust the position of the boot so that there is a snug fit between the front edge of the mower deck and the boot. Also ensure that there is no gap between the back edge of the mower deck and the boot. When the boot is properly positioned, tighten all mounting hardware. Refer to Figure 2-13g.

Figure 2-13g



2-15 Length Of Hose Adjustment

The hoses in steps 2-16 and 2-17 must be cut to fit your machine. Follow steps 2-16 and 2-17. do not cut the hoses until you have tried to fit them on your machine. Remember that the hoses have to be long enough to adjust for the blower assembly's movement as well as allow for enough clamping surface between the inlet, blower assembly, and the deck boot.

Note: The upper hose should no shorter than 30".

2-16 Upper Hose Installation

Fasten the inlet to the plastic top by sliding the inlet from the inside of the top to the outside and lock into place. Slide a 6" Spirofil hose clamp P#(J0060) onto both ends of the 6" upper hose (Figure 2-16). Then slide one end of the 6" hose onto the inlet. Make sure there is about a two-inch overlap between the hose end and the container inlet. Proceed to slide the opposite end of the 6" hose onto the outlet of the blower assembly. See (Figure 2-16) for details. Make sure both ends of the hose are clearly attached to the inlet and the blower assembly inlet. Tighten the hose clamps.

2-17 Lower Hose To Blower Cone

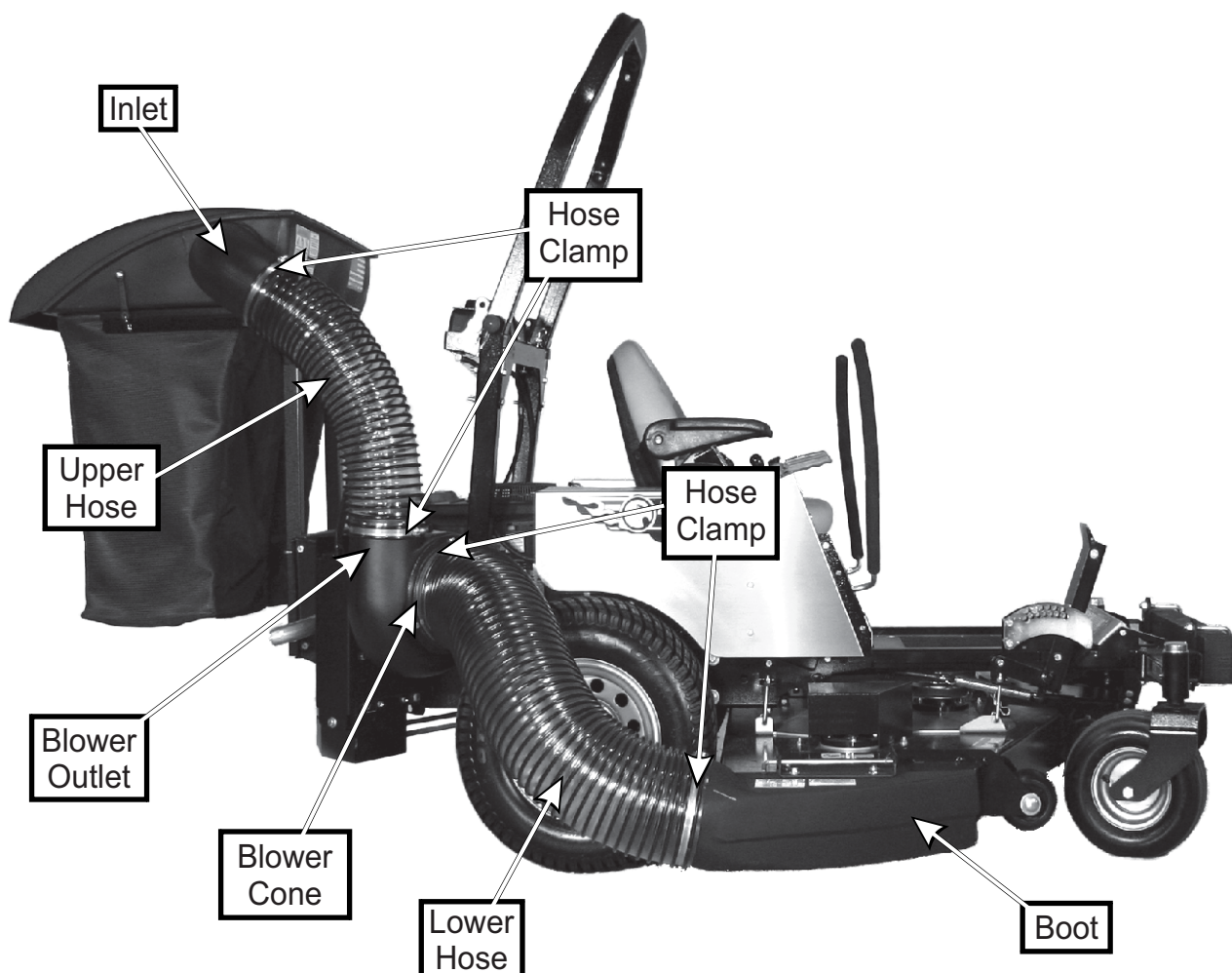
Installation

Slide a 8" Spirofil hose clamp P#(J0080) over both ends of the lower hose. Then proceed to slide the lower hose onto the blower cone. Tighten the hose clamp. The assembly should look like Figure 2-16.

2-18 Lower Hose To Boot Installation

Take the unattached end of the lower hose and slide it over the circular end of the boot. Use the lower hose clamp to secure the hose to the boot (Figure 2-16). Tip: Before securing clamp rotate hose counter-clockwise (away from yourself) approximately 1" to aid in retaining boot to mower deck.

Figure 2-16



2-19 Impeller Blade Removal/Replacement



BEFORE REMOVING/REPLACING THE IMPELLER BLADES, BE SURE THE MOWER IS TURNED OFF, THE PTO ASSEMBLY IS DISENGAGED AND THE NEGATIVE CABLE IS REMOVED FROM THE BATTERY. FAILURE TO DO SO MAY RESULT IN SEVERE INJURY OR DEATH.

REMOVAL

STEP 1: Remove the blower cone P#(E8004) from the blower housing P#(V0015) located on the PTO assembly P#(A1840). With the blower cone removed, you will have access to the impeller blade assembly P#(A1839). Refer to Figure 2-19.

STEP 2: Remove the 5/16"-24 LH x 1-1/4" hex bolt P#(K1171) and washer P#(K1446).

STEP 3: Insert the 1/2"-13 x 1" hex bolt (K1231) into the threads on the blade assembly and tighten. The blade should break free from the shaft.

STEP 4: Remove the blade assembly and key P#(J0254) from the PTO shaft. **Note:** If necessary, use a break free agent to aid in the removal of the blade.

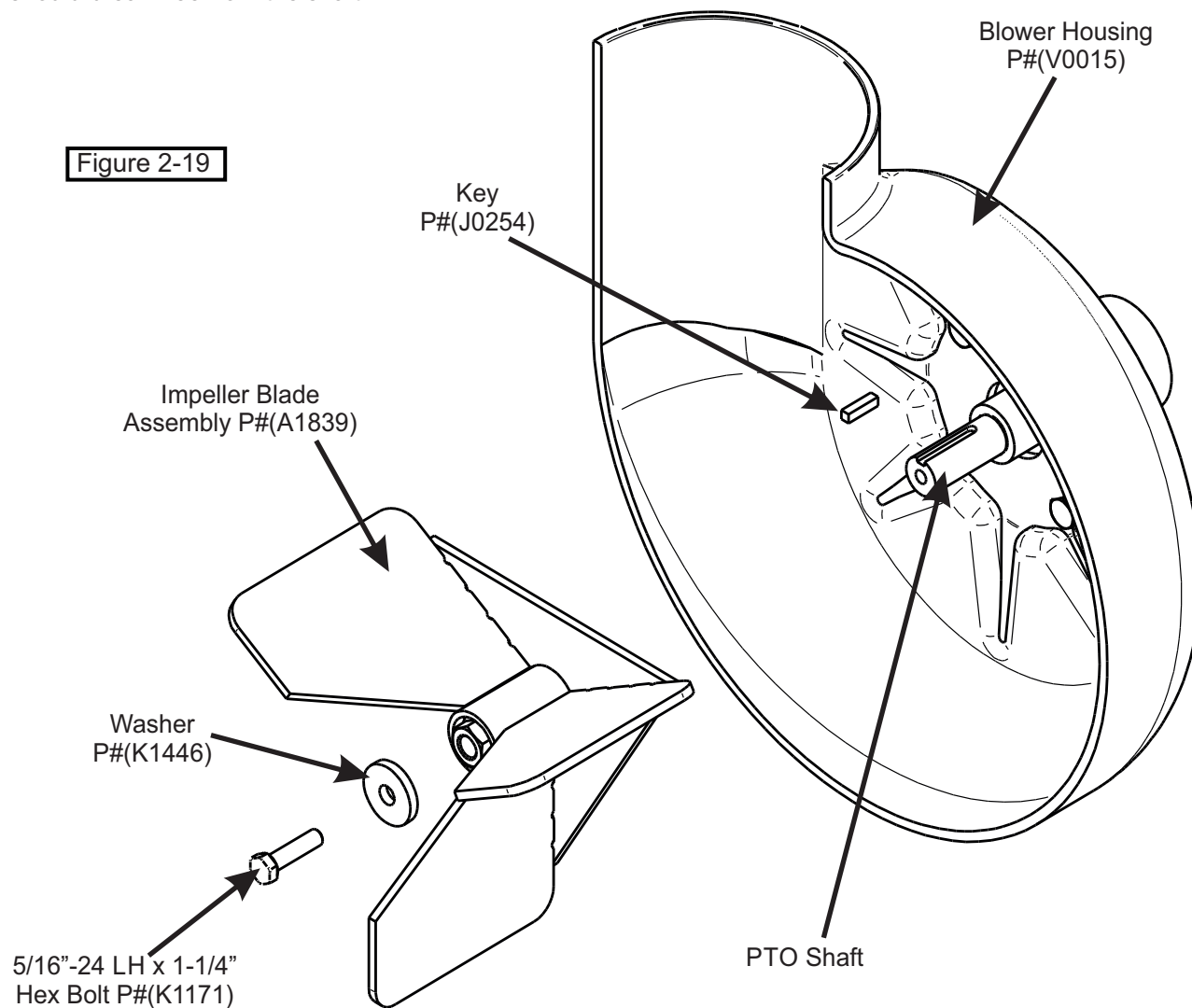
INSTALLATION

STEP 1: Insert the key P#(J0254) into the key way on the PTO shaft.

STEP 2: Insert the blade assembly P#(A1839) onto the PTO shaft.

STEP 3: Secure the blade assembly to the PTO shaft with (1) washer P#(K1446) and (1) 5/16"-24 LH x 1-1/4" hex bolt. Torque the bolt to 19 ft./lbs.

Figure 2-19



2-20 Weight Kit Installation

NOTE: It is recommended that someone assist you in the weight kit installation procedure.

Position the left and right weight brackets as shown in the Figure 2-20a. Attach the left weight bracket P#(B0383L) and right weight bracket P#(B0383R) to the front frame of the mower. Insert each weight bracket onto the frame tube. Secure each weight bracket using (2) 3/8"-16 x 3-1/2" HHCS P#(K1200), (2) 3/8" flat washers P#(K0047) and (4) 3/8"-16 nylon flange lock nuts P#(K2038). The (2) washers are used on the slotted holes on each weight bracket. Leave the hardware finger tight so the position of the weight brackets can be adjusted left or right if necessary.

Using two people, lift the weight bar P#(B2220) into position. Secure the weight bar to the left and right weight brackets using (2) 1/2"-13 x 4-1/4" u-bolts and (4) 1/2"-13 nylon flange locknuts. Use Figure 2-20b for reference. **NOTE:** Before tightening the u-bolts, make sure the weight bar is centered between the weight brackets. Tighten all the weight kit hardware at this time.

The weight kit assembly should look like Figure 2-20c after installation is complete.

Figure 2-20c

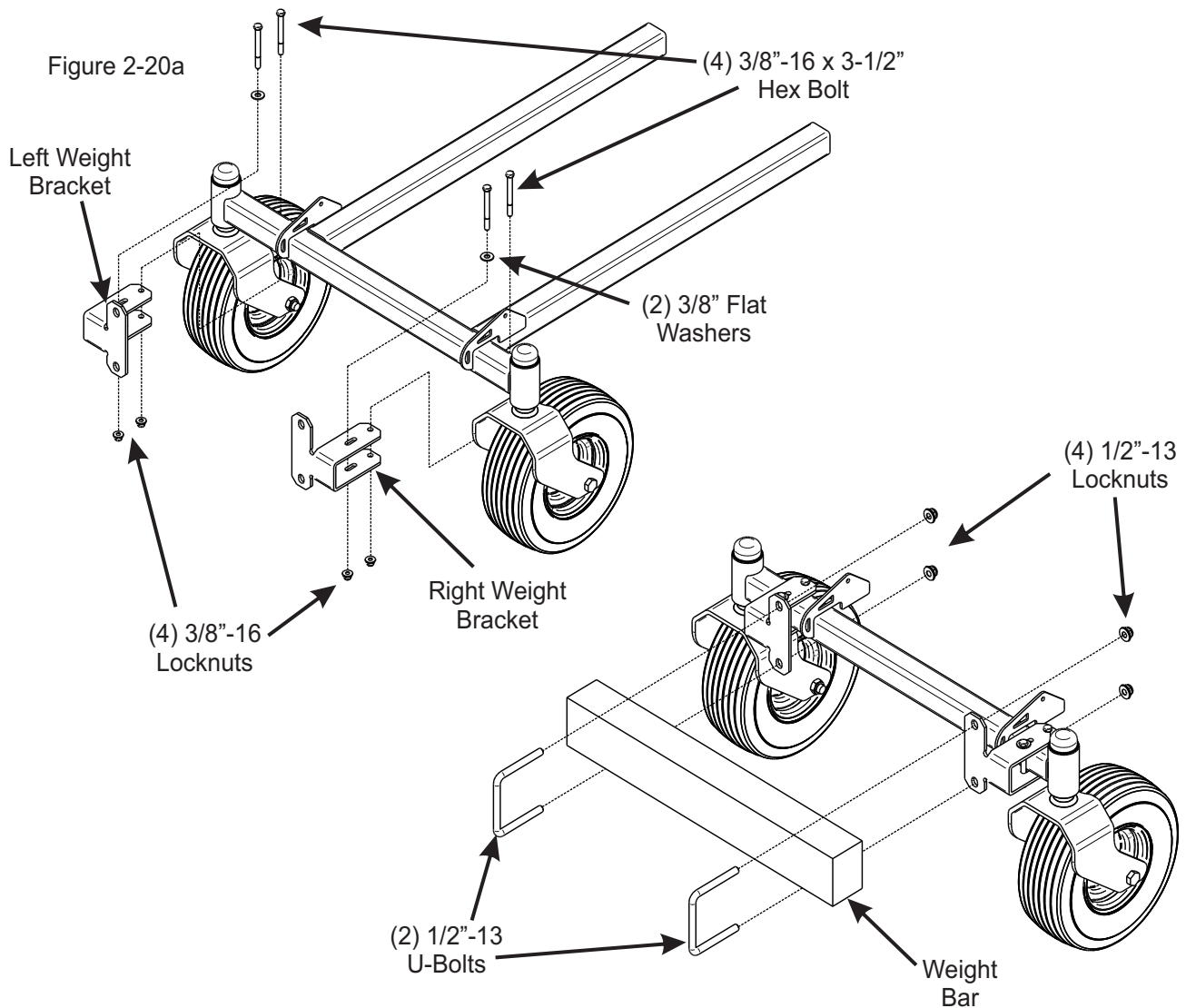
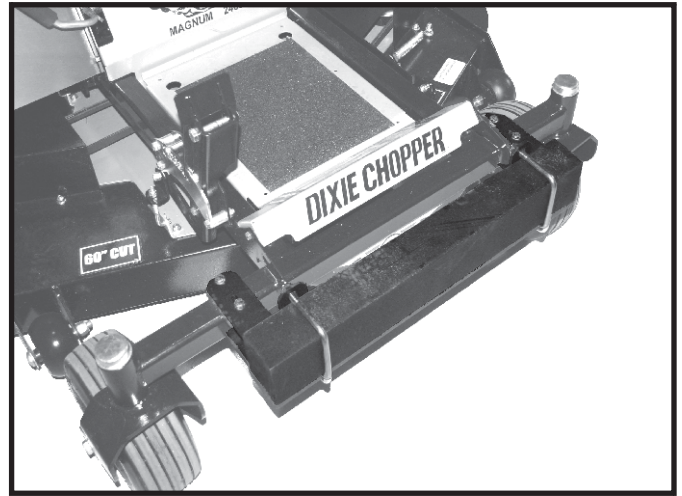


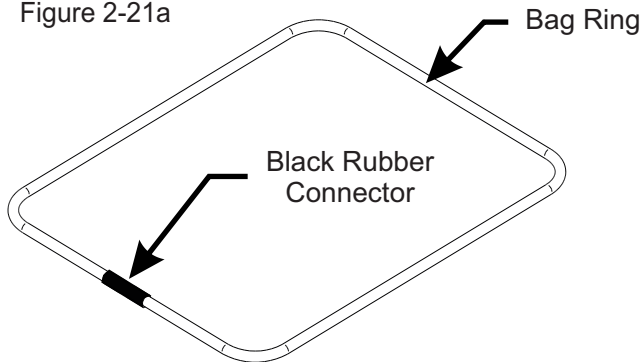
Figure 2-20b

2-21 Installation/Removal Of Collection Bags

IMPORTANT!

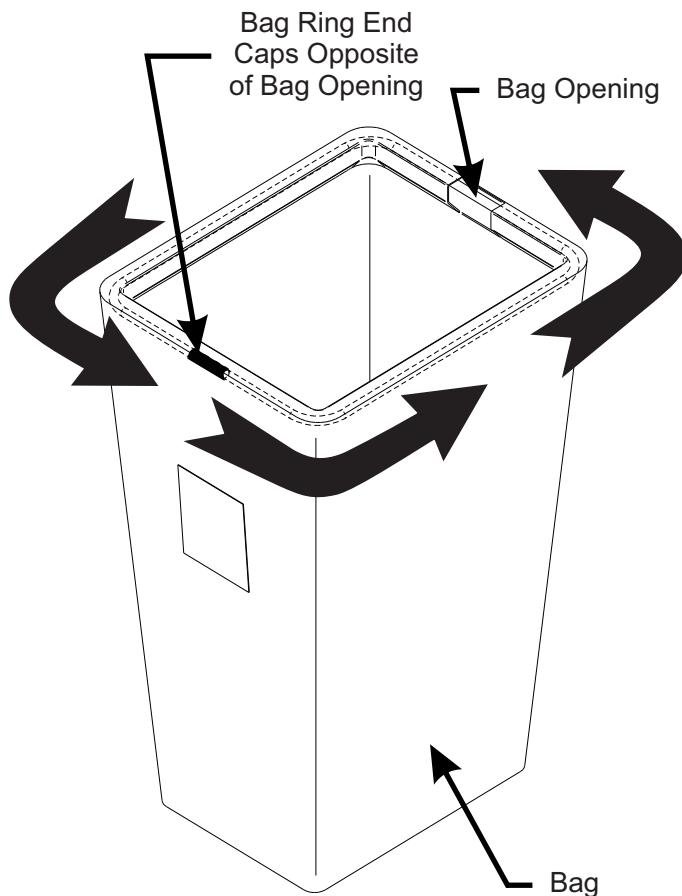
To prevent bag wear, install (1) Black rubber connector P#(F0010), as shown in Figure 2-21a, on each bag ring while installing bags.

Figure 2-21a



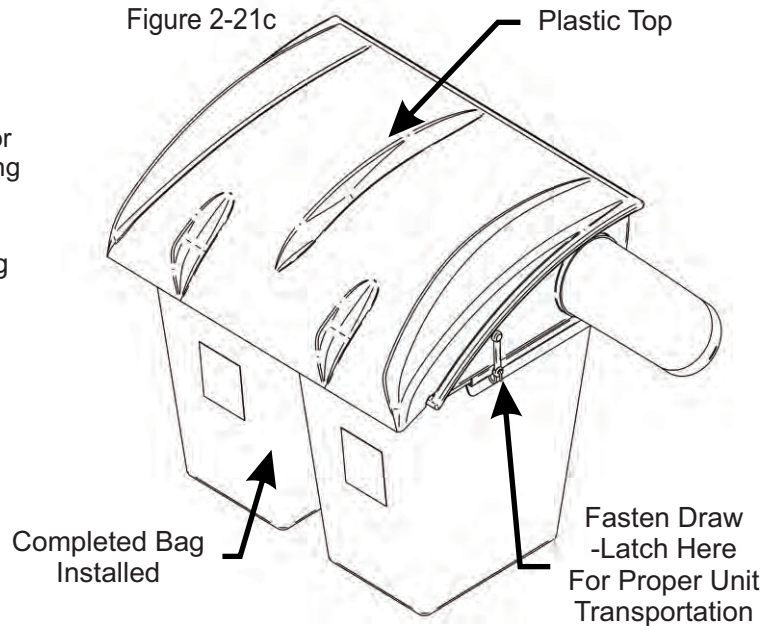
To install the bag onto the bag ring, place the seam openings of the bag onto the bag ring openings and turn the bag one full turn (360°) so the opening of the bag ring is accessible. Install the black rubber connector and rotate another (180°) so connector is located opposite to the opening in the bag (Figure 2-21b). Do this for each bag.

Figure 2-21b



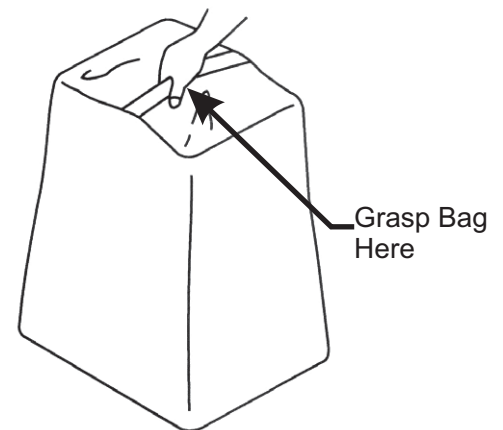
Install the completed assemblies onto the support frame and close the plastic top. Fasten the draw-latches to hold the plastic top closed (Figure 2-21c).

Figure 2-21c



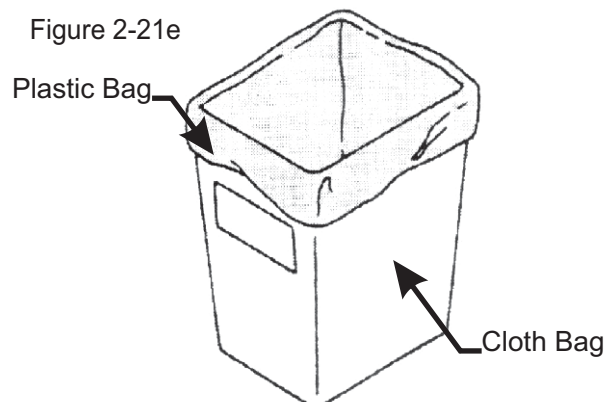
To empty the bag, first unlatch and lift top, next remove the bag and bag ring by sliding rearward, then grasp the loop on the bottom of the bag, and last turn it upside down to empty the collected debris (Figure 2-21d). Repeat for the other bag. Reinstall both bags, line with plastic bags if desired, close the plastic top and reattach the draw latches.

Figure 2-21d



Plastic lawn and leaf bags, 33 gallon size, may be used inside the cloth bags. Be sure to leave enough plastic bag hanging over the frame so the plastic bags can be twist tied before emptying (Figure 2-21e).

Figure 2-21e



SECTION III OPERATING INSTRUCTIONS

3-1 General Safety

Only qualified people familiar with this operator's manual and the mower's operator's manual should operate this machine.

3-2 Operation And Tips On Mowing

A. Perform BEFORE EACH USE the maintenance list in paragraph 4-1.

B. Start mower.

C. With the mower at high idle speed, engage the mower deck.

D. While seated in the operator's seat, pull the engagement handle of the PTO assembly towards the operator's seat until the handle slides into position in the retaining slot. With the PTO assembly engaged, you can proceed to operate the control levers of the mower.

NOTE: If the collection system does not appear to be collecting the grass clippings, disengage the deck and PTO assembly (Section 3-3), then, engage the parking brake and turn the mower off. Check upper and lower hoses for any clogs.

To obtain the maximum effectiveness from your collection system, the tips listed below should be followed:

- * Watch your speed- Normal conditions will allow a speed of up to approximately 4 mph, but thick, heavy damp conditions will require reduced ground speed.
- * Mow with sharp blades- A sharp blade cuts cleaner.
- * Wet grass and leaves will decrease effectiveness and will increase horsepower requirements.
- * Mow at higher cutting heights- Remove and mulch no more than 2" of grass length with each mowing. (Experts recommend not cutting off more than 1/3 of the grass blade length at any given time.)
- * Mow twice, at different height settings, (high, then low), if grass is extra tall.
- * Remember that horsepower requirements will vary with the mowing conditions such as type and height of turf grass, moisture content, amount of leaves, whether the terrain is flat or hilly, etc.

3-3 Disengagement Of The PTO Assembly

A. To disengage the PTO assembly, slide the engagement handle out of the retaining slot and push the engagement handle away from the operator's seat.

WARNING: The PTO assembly blades will continue to spin. DO NOT TOUCH the PTO assembly, pulleys, or the belt until the tractor is turned off. DO NOT adjust the belt tension until the mower is turned off. Refer to section 2-4 of the manual.

3-4 Unloading The Collection System

NOTE: To determine when the collection bags are full, follow the following steps:

- A. Stop the forward movement of the mower.
- B. Disengage the mower deck.
- C. Disengage the PTO assembly.
- D. Engage the parking brake.
- E. Once the parking brake has been engaged, then and only then, walk behind the mower and check the collection bags by first unhooking the rubber strap with S-hook that secures the plastic top, then lift the plastic hood. Load in bags should not exceed the height of the installed bag.
- F. To remove the bags from the frame slide bags out and turn bags over to deposit clippings.
- G. Slide empty bags back onto the frame and secure plastic top with the rubber strap with S-hook.

NOTE: Do not allow collection bags to become over-filled as potential damage may occur to your equipment. Also, be sure to clean the hood screen as needed.

SECTION IV MAINTENANCE

4-1 Maintenance Checklist

Before each use:

1. Check blades and spindles to be sure that no foreign objects, such as wire or steel strapping bands, are wrapped around them.
2. Inspect blades for wear. Replace if necessary. If it is necessary to sharpen the blades, remove the blades from the spindles before sharpening. DO NOT sharpen blades while still attached to the mower.

3. Make sure all shields are in place and in good condition. Repair or replace any missing or damaged shields.
4. Perform lubrication per paragraph 4-2.
5. Listen for abnormal sounds, which might indicate loose parts, damaged bearings, or other damage. Correct any deficiency before continuing operation.
6. With the engine off, engage the blower assembly. Check the belt tension and inspect the pulley belt for cracks or tears.
7. Check for wear or deterioration of the upper or lower hoses. If there are any portions of the hose that have been torn or worn through, replace immediately.

After Each Use:

1. Clean all debris from machine especially from the container, underneath the belt shields, and safety decals. Replace any missing or illegible decals.
2. Inspect the unit for worn or damaged components. Repair or replace before the next use. Any replacement component installed during repair shall include the component's current safety decal specified by the manufacturers to be affixed to the component.
3. Under normal usage, the bag material is subject to deterioration and wear and should therefore be frequently checked for necessary replacement. Any replacement bag should be checked to ensure compliance with the original manufacturer's recommendations or specifications.
4. Check belt for proper tension.

4-2 Lubrication

Gearbox:

NOTE: The gearbox is filled with 6.0 oz. of Mobilube HD Plus 80W-90 oil and permanently sealed. There is no need for scheduled lubrication. The oil level should only be checked if a leak is observed or if a change in gearbox noise is noticed.

Operators are recommended to check for leaks weekly. If a leak is observed, both the gasket and the seals are recommended to be replaced.

Replace the oil using 5.5 oz. of the recommended Mobilube HD Plus 80W-90 oil. Be sure to not overfill.

Blower Assembly:

NOTE: The following is for older PTO models that contain a greaseable zirc fitting. Newer models contain maintenance-free bearings and are without a greasable fitting.

1. On initial use: Grease the fitting on the blower shaft.
2. Every 25 hours of use: Re-grease the grease fitting.

NOTE: Use only white lithium based grease for lubrication of the shaft on the blower assembly.

SECTION V - PARTS & SERVICE

5-1 Parts And Service Information

Collection system owners should record the name and telephone number of their Service Center. Your Service Center will be happy to supply replacement parts, accessories, and do any service or repairs to your collection system. If for any reason your Service Center is unable to service your collection system or supply replacement parts, contact New PECO, Inc. and include the following information on the chart below.

THE SERIAL NUMBER PLATE IS LOCATED ON THE TOP ASSEMBLY

PECO	
OUTDOOR POWER EQUIPMENT	
Model Number	<input style="width: 90%;" type="text"/>
Serial Number	<input style="width: 90%;" type="text"/>
Arden, North Carolina 28704	

WRITE THE MODEL AND SERIAL NUMBER IN THE BOX TO THE LEFT FOR FUTURE REFERENCE.

Unit Model Number:	<input style="width: 90%;" type="text"/>
Unit Engine Size:	<input style="width: 90%;" type="text"/>
Unit Serial Number:	<input style="width: 90%;" type="text"/>
Date of purchase:	<input style="width: 30%;" type="text"/> / <input style="width: 30%;" type="text"/> / <input style="width: 30%;" type="text"/>
Dealer/Distributor Name:	<input style="width: 90%;" type="text"/>
Address:	<input style="width: 60%;" type="text"/> State: <input style="width: 20%;" type="text"/> Zip: <input style="width: 20%;" type="text"/>
Phone Number:	<input style="width: 90%;" type="text"/>



Unit Model #: 38120901

Mower & Type: Dixie Chopper Magnum

Mower Models:

Deck Size/Model: 50" & 60"

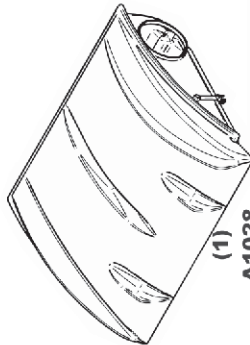
Owner's Manual: Q0444 Rev. 2

Revision #: 1 - Belt Was M0238 - JPS 10/27/2017

Vac/Drive Type: P2B+ (9 Cu. Ft.) PTO Driven

Fits Year(s): 2012-2014

A1997 Vac Kit



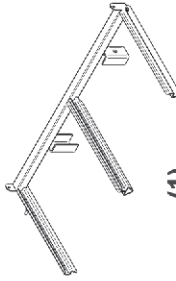
(1) A1028 TOP ASSEMBLY



(1) HB0622 VAC KIT HARDWARE BAG



(1) V0019 INLET

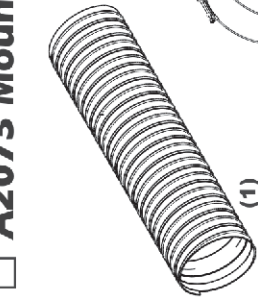


(1) A1114 UPPER FRAME ASSY

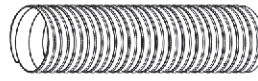


(2) B0227 BAG RING

A2073 Mount Kit



(1) F0080 LOWER HOSE 8" x 38"



(1) F0060 6" x 30" UPPER HOSE



(2) J0060 6" HOSE CLAMPS



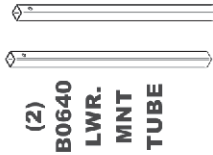
(2) J0080 8" HOSE CLAMPS



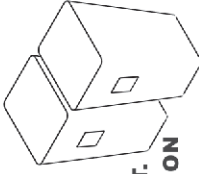
(1) E8004 8" BLOWER CONE



(1) HB0491 MOUNT KIT HARDWARE BAG



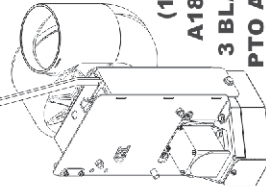
(2) B0640 LWR. MNT TUBE



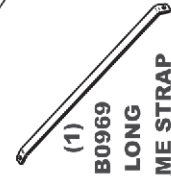
(2) G0003 4 CU. FT. COLLECTION BAGS



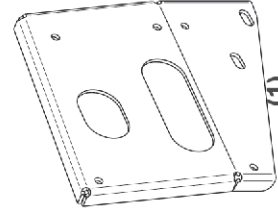
(1) B0733 PTO STOP PLATE



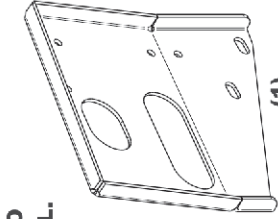
(1) A1840 3 BLADE PTO ASSY.



(1) B0969 LONG FRAME STRAP



(1) B0769 LT. FRAME BRACKET



(1) B0768 RT. FRAME BRACKET

A1880 Boot Kit



(1) E0023 BOOT

R0025 LABEL



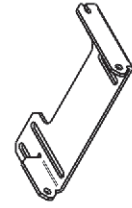
(1) B0775 BOOT PLATE



(1) B0333 BOOT ROD

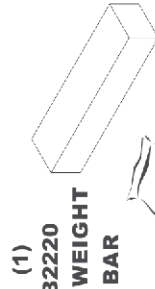


(1) HB0492 HARDWARE BAG



(1) B0774 DECK PLATE

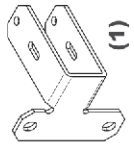
A1879 Weight Kit



(1) B2220 27" WEIGHT BAR



(1) HB0488 HARDWARE BAG



(1) B0383RH RT. WEIGHT BRACKET



(1) B0383LH LT. WEIGHT BRACKET



Unit Model #: 38120902

Mower & Type: Dixie Chopper Magnum

Mower Models:

Deck Size/Model: 44"

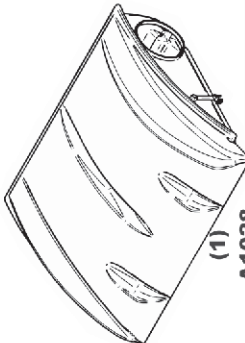
Owner's Manual: Q0444 Rev. 2

Revision #: 1 - Belt Was M0238 - JPS 10/27/2017

Vac/Drive Type: P2B+ (9 Cu. Ft.) PTO Driven

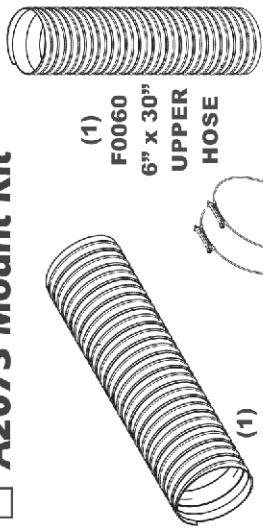
Fits Year(s): 2012-2014

A1997 Vac Kit



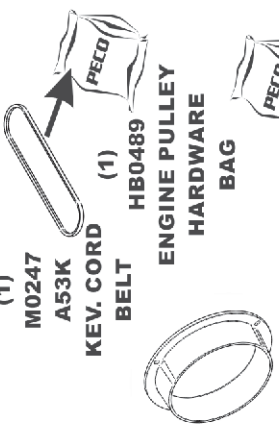
(1) A1028 TOP ASSEMBLY
 (1) HB0622 VAC KIT HARDWARE BAG
 (1) V0019 INLET

A2073 Mount Kit



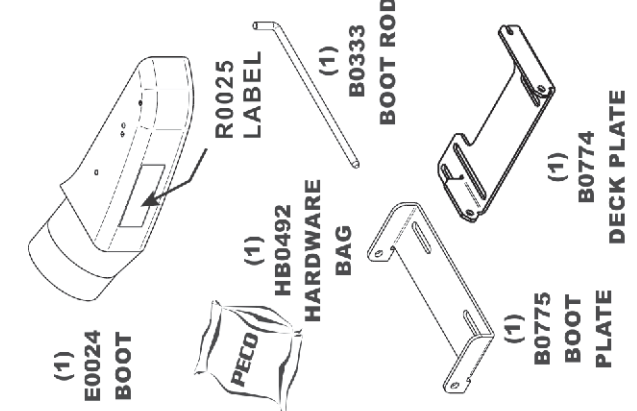
(1) F0080 8" x 38" LOWER HOSE
 (1) F0060 6" x 30" UPPER HOSE
 (2) J0080 8" HOSE CLAMPS
 (2) J0060 6" HOSE CLAMPS

A1890 Boot Kit



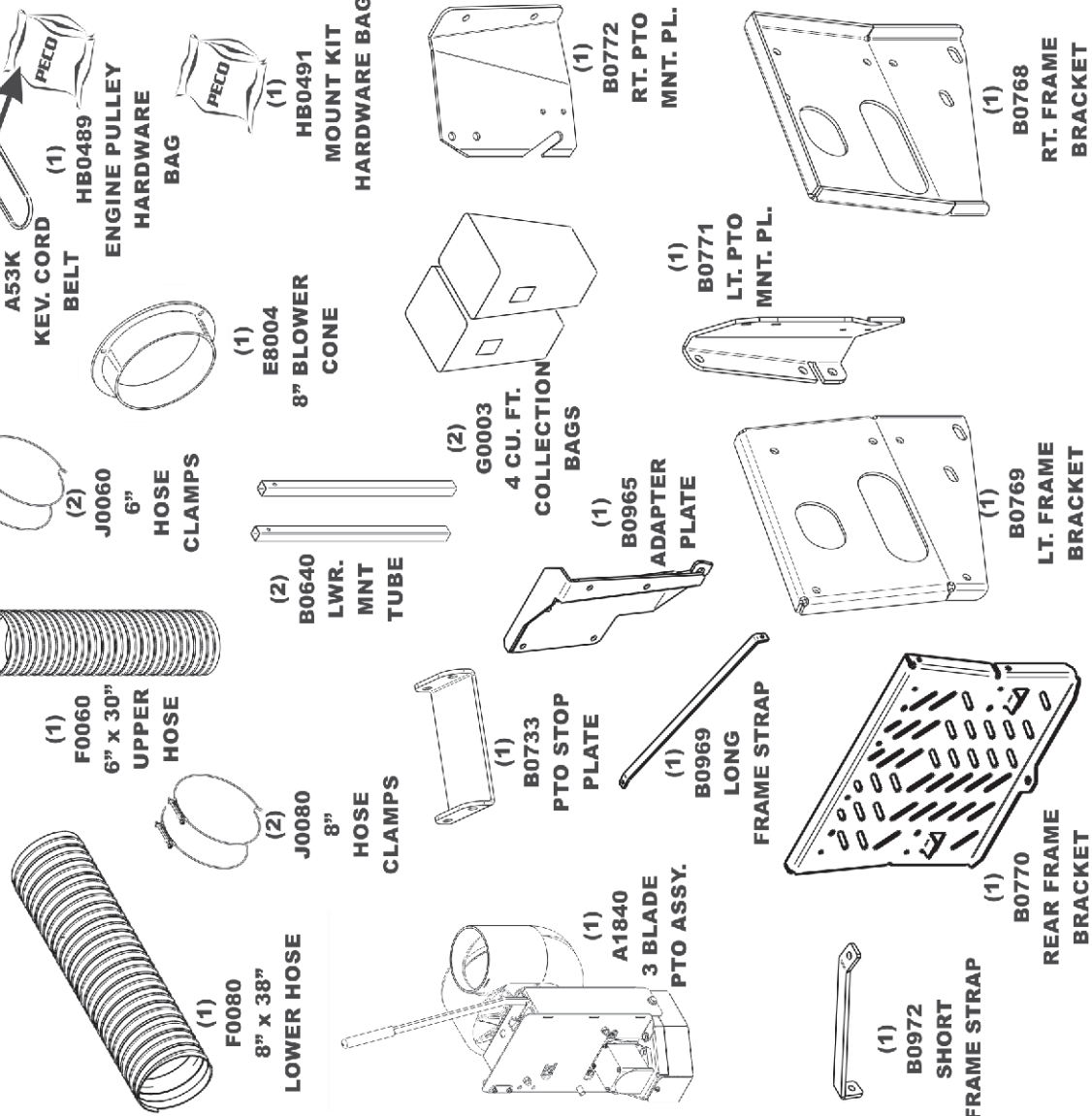
(1) M0247 A53K KEY. CORD BELT
 (1) HB0489 ENGINE PULLEY HARDWARE BAG
 (1) HB0491 MOUNT KIT HARDWARE BAG
 (1) E8004 8" BLOWER CONE

A1879 Weight Kit



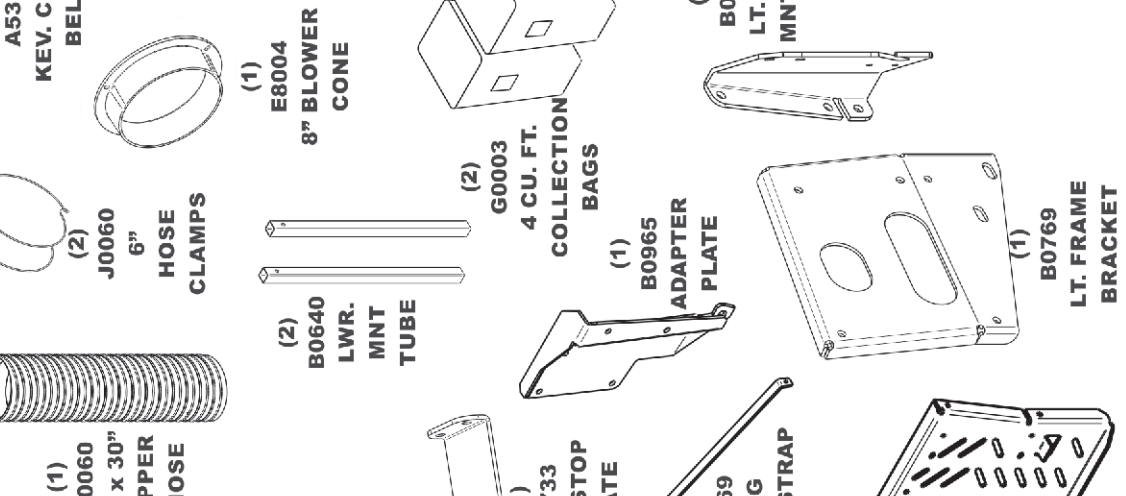
(1) E0024 BOOT
 (1) HB0492 HARDWARE BAG
 (1) R0025 LABEL
 (1) B0333 BOOT ROD
 (1) B0775 BOOT PLATE
 (1) B0774 DECK PLATE
 (1) B2220 27" WEIGHT BAR
 (1) HB0488 HARDWARE BAG
 (1) B0383RH RT. WEIGHT BRACKET
 (1) B0383LH LT. WEIGHT BRACKET

A1879 Weight Kit



(1) B0965 ADAPTER PLATE
 (1) B0733 PTO STOP PLATE
 (1) B0969 LONG FRAME STRAP
 (1) B0972 SHORT FRAME STRAP
 (1) B0770 REAR FRAME BRACKET
 (1) B0769 LT. FRAME BRACKET
 (1) B0768 LT. FRAME BRACKET
 (1) B0771 LT. PTO MNT. PL.
 (1) B0772 RT. PTO MNT. PL.

A1879 Weight Kit



(2) G0003 4 CU. FT. COLLECTION BAGS
 (2) B0640 LWR. MNT. TUBE
 (1) A1840 3 BLADE PTO ASSY.



Unit Model #: 38120903

Mower & Type: Dixie Chopper Magnum & Magnum HP

Mower Models: 2550BR, 2550KO, 2250R, 2250HP, 2750EFI

Deck Size/Model: 50"

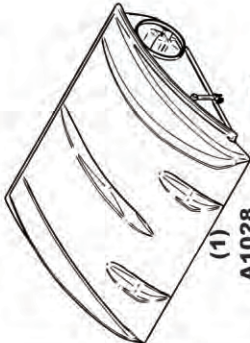
Owner's Manual: Q0444 Rev. 2

Revision #:

Vac/Drive Type: P2B+ (9 Cu. Ft.) PTO Driven

Fits Year(s): 2015-2018

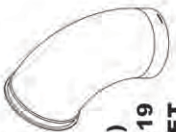
A1997 Vac Kit



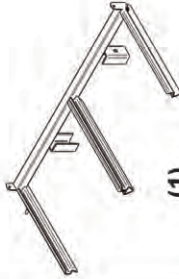
(1) A1028 TOP ASSEMBLY



(1) HB0622 VAC KIT HARDWARE BAG



(1) V0019 INLET

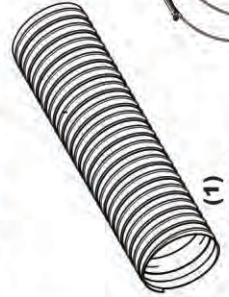


(1) A1114 UPPER FRAME ASSY



(2) B0227 BAG RING

A2073 Mount Kit



(1) F0080 8" x 38" LOWER HOSE



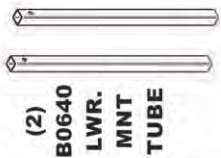
(2) J0080 8" HOSE CLAMPS



(1) F0060 6" x 30" UPPER HOSE



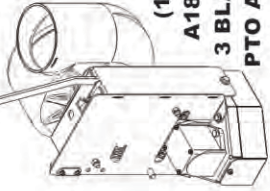
(2) J0060 6" HOSE CLAMPS



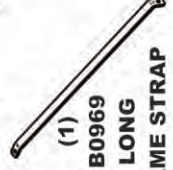
(2) B0640 LWR. MNT TUBE



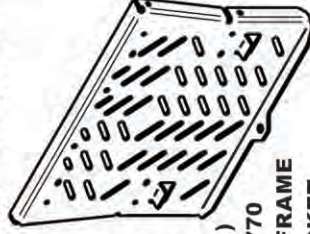
(1) B0733 PTO STOP PLATE



(1) A1840 3 BLADE PTO ASSY.



(1) B0969 LONG FRAME STRAP



(1) B0770 REAR FRAME BRACKET



(1) B0972 SHORT FRAME STRAP



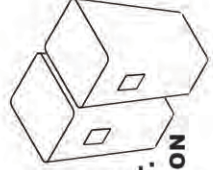
(1) M0247 A53K KEV. CORD BELT



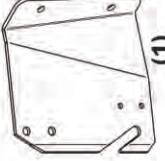
(1) E8004 8" BLOWER CONE



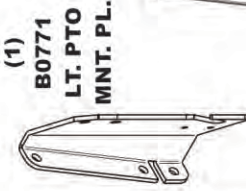
(1) HB0491 MOUNT KIT HARDWARE BAG



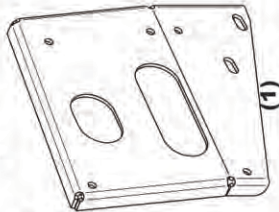
(2) G0003 4 CU. FT. COLLECTION BAGS



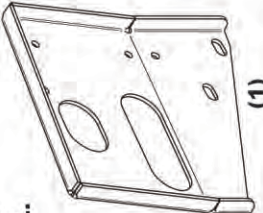
(1) B0772 RT. PTO MNT. PL.



(1) B0771 LT. PTO MNT. PL.

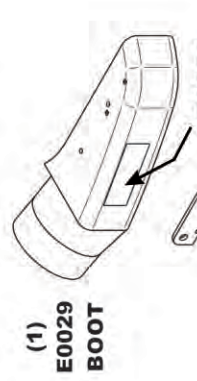


(1) B0769 LT. FRAME BRACKET

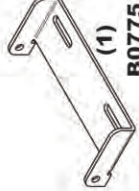


(1) B0768 RT. FRAME BRACKET

A2075 Boot Kit



(1) E0029 BOOT



(1) B0775 BOOT PLATE

R0025 LABEL

(1) B0333 BOOT ROD



(1) HB0492 HARDWARE BAG



(1) B0774 DECK PLATE

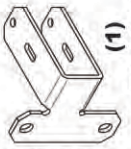
A1879 Weight Kit



(1) B2220 27" WEIGHT BAR



(1) HB0488 HARDWARE BAG



(1) B0383RH RT. WEIGHT BRACKET

B0383LH LT. WEIGHT BRACKET

Unit Model #: 38120904

Mower & Type: Dixie Chopper Magnum & Magnum HP

Mower Models: 2560BR, 2560KO, 2460R, 2460HP, 2760EFI

Deck Size/Model: 60"

Owner's Manual: Q0444 Rev. 2

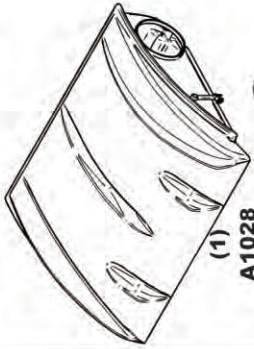
Revision #:

Vac/Drive Type: P2B+ (9 Cu. Ft.) PTO Driven

Fits Year(s): 2015-2018



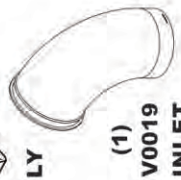
A1997 Vac Kit



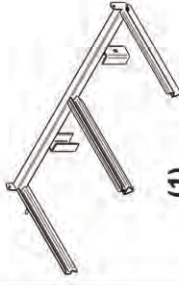
(1) A1028 TOP ASSEMBLY



(1) HB0622 VAC KIT HARDWARE BAG



(1) V0019 INLET

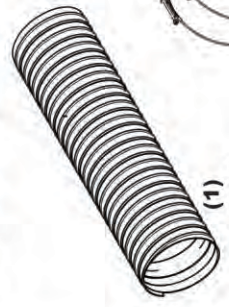


(1) A1114 UPPER FRAME ASSY



(2) B0227 BAG RING

A2073 Mount Kit



(1) F0080 8" x 38" LOWER HOSE



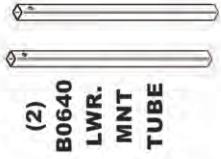
(2) J0080 8" HOSE CLAMPS



(1) F0060 6" x 30" UPPER HOSE



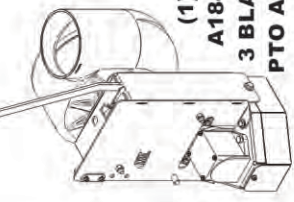
(2) J0060 6" HOSE CLAMPS



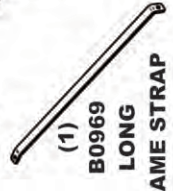
(2) B0640 LWR. MNT TUBE



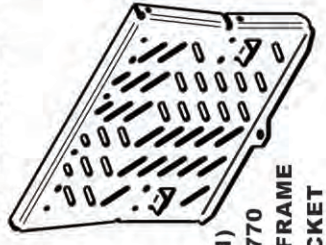
(1) B0733 PTO STOP PLATE



(1) A1840 3 BLADE PTO ASSY.



(1) B0969 LONG FRAME STRAP



(1) B0770 REAR FRAME BRACKET

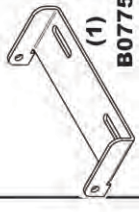


(1) B0972 SHORT FRAME STRAP

A1880 Boot Kit



(1) E0023 BOOT



(1) B0775 BOOT PLATE



R0025 LABEL



(1) B0333 BOOT ROD



(1) HB0492 HARDWARE BAG



(1) B0774 DECK PLATE

A1879 Weight Kit



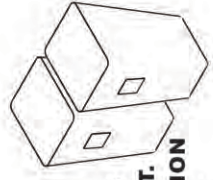
(1) M0247 A53K BELT KEV. CORD



(1) HB0670 ENGINE PULLEY HARDWARE BAG



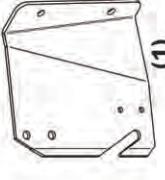
(1) E8004 8" BLOWER CONE



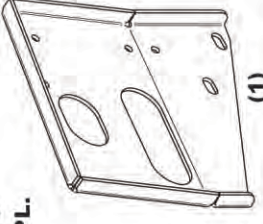
(2) G0003 4 CU. FT. COLLECTION BAGS



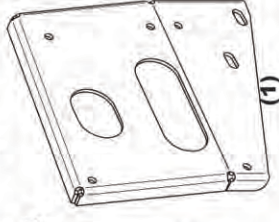
(1) B0771 LT. PTO MNT. PL.



(1) B0772 RT. PTO MNT. PL.



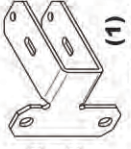
(1) B0768 RT. FRAME BRACKET



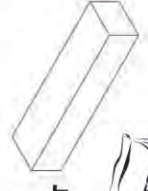
(1) B0769 LT. FRAME BRACKET



(1) B0383RH RT. WEIGHT BRACKET



(1) B0383LH LT. WEIGHT BRACKET

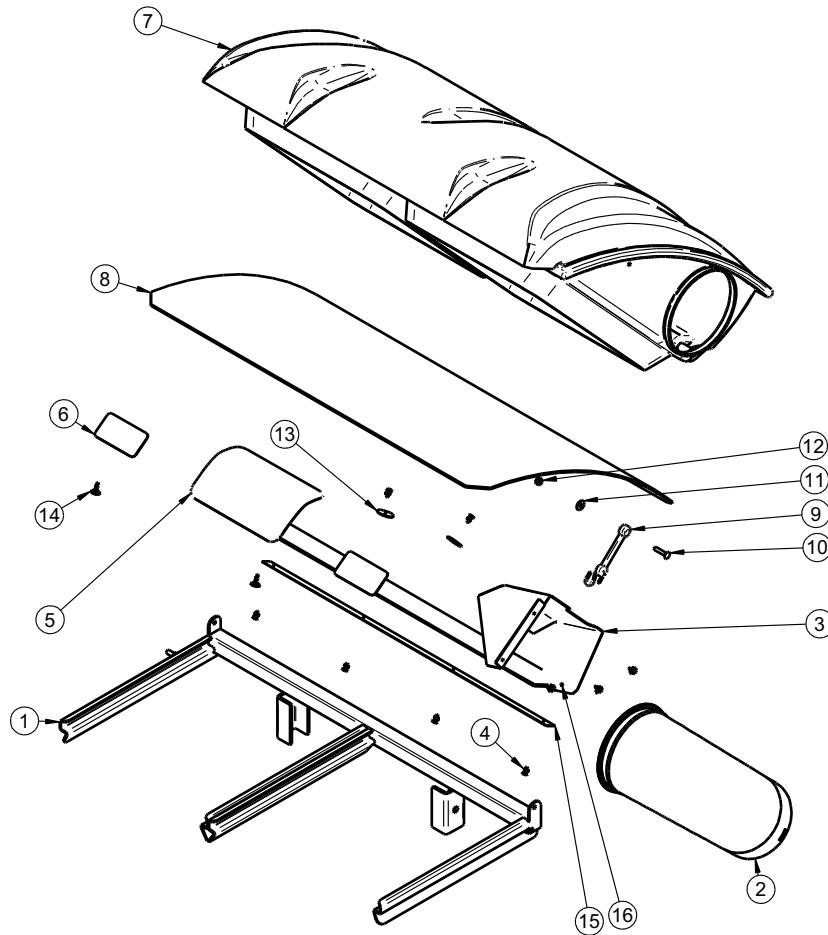


(1) B2220 27" WEIGHT BAR



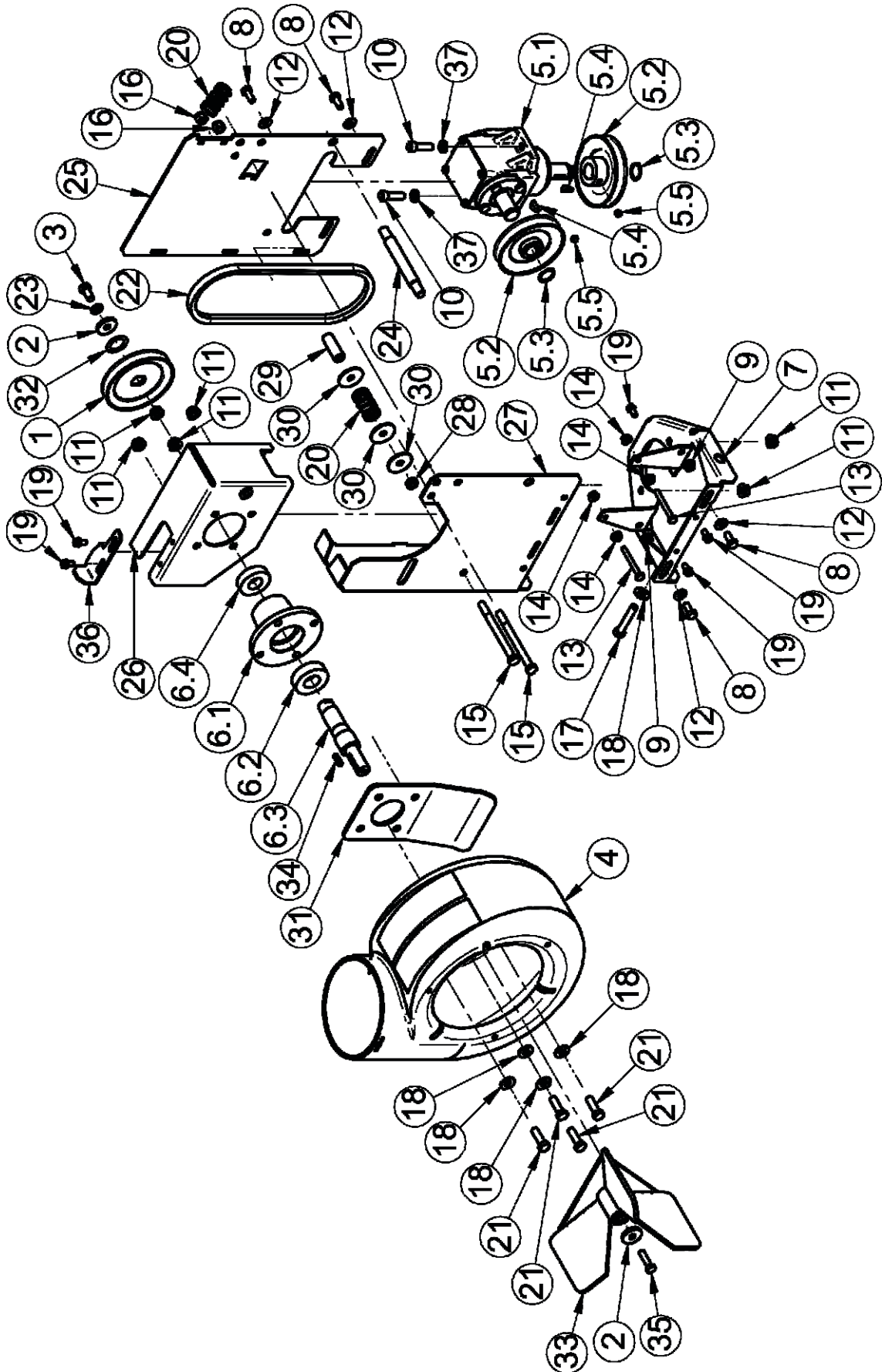
(1) HB0488 HARDWARE BAG

A1028 TOP ASSEMBLY
A1114 UPPER FRAME ASSEMBLY
EXPLODED PARTS VIEW



Item #	Part #	Desc.	Qty.
1	A1114	Upper Frame Assy P2B+ Generic Gen 1	1
2	V0019	Inlet	1
3	C0026	Grass Deflector	1
4	K0114	Black Plastic Rivet	9
5	R1070	PECO Logo Decal	1
6	R1057	2" x 4" Red Reflector Label	2
7	V0017	Pro 2 Bagger Top	1
8	V0018	Black Plastic Screen	1
9	J4009	Short Rubber Strap w/ S-Hook	1
10	K1030	1/4"-20 x 1-1/4" Carriage Bolt	1
11	K0037	Flat Washer / 1/4" (.75 OD x .312 ID x .060 T)	1
12	k1128	1/4"-20 Nyloc Nut	1
13	K0062	3/16" x 1-1/2" Fender Washer, Z	2
14	K1265	Black Panel Retainer	2
15	C0067	Dust Guard Mnt. Brkt.	1
16	V1117	Dust Guard	1

**A2194 PTO-R BASE ASSEMBLY
EXPLODED PARTS VIEW**

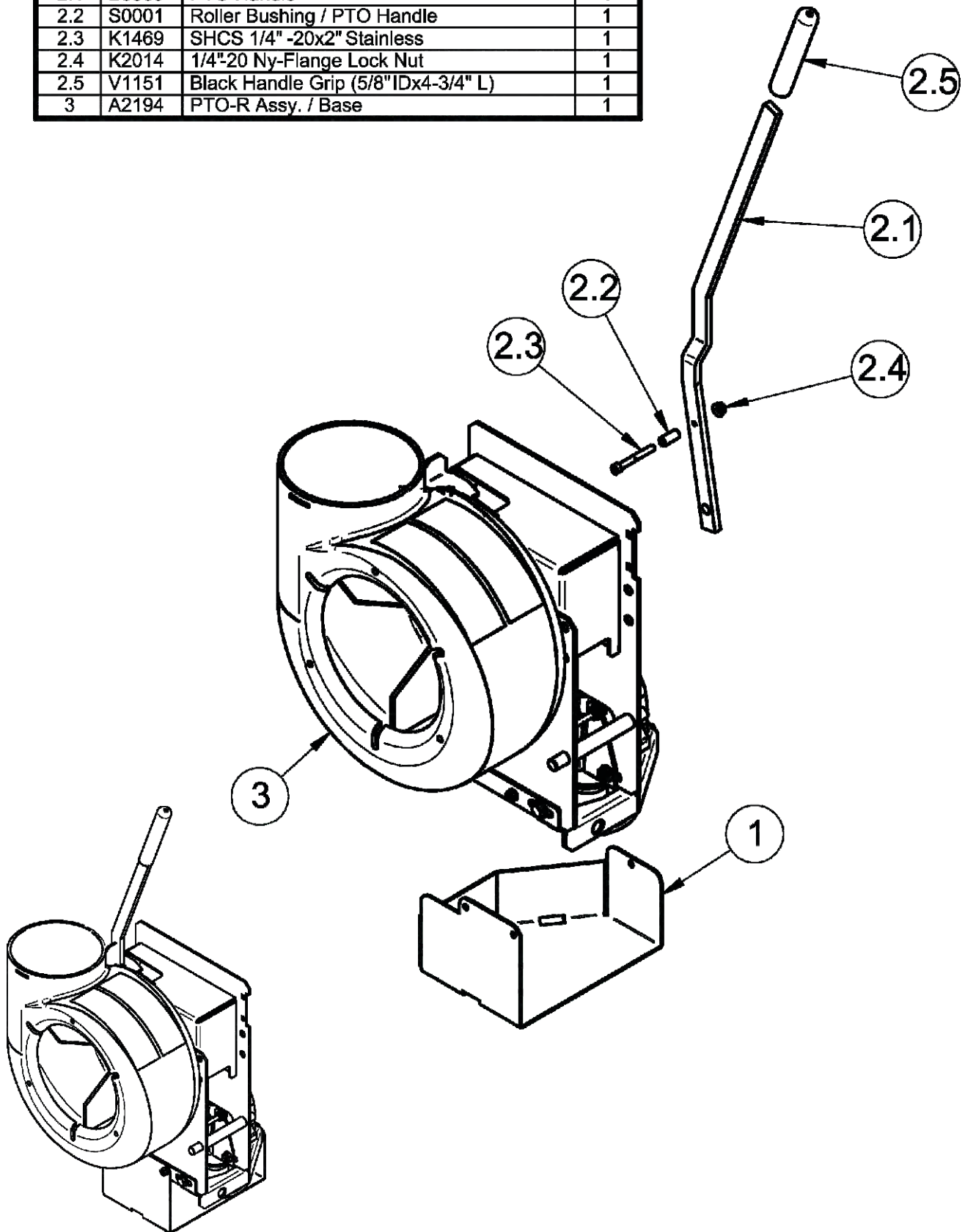


A2194 PTO-R BASE ASSEMBLY PARTS LIST

Item#	Part#	Desc.	Qty.
1	M0266	A-Section Pulley / 4.25 OD	1
2	K1446	PTO Housing Washer	2
3	K1190	HHCS / 3/8"-16x3/4"	1
4	V0015	Blower Hsg.	1
5	A0429	Gear Box Assy.	1
5.1	A0431	Gearbox	1
5.2	A0498	Pulley Assy. / Gear Box	2
5.3	K0360	Snap Ring / 7/8"Shaft	2
5.4	J0272	Woodruff Key #9	2
5.5	K0035	Set Screw 5/16"-18x1/4" CupPoint	2
6	A1004	PTO Shaft Assy.	1
6.1	E0015	Housing / PTO Shaft	1
6.2	N0147	Bearing (2.0472OD,0.9843ID,0.5906W)	1
6.3	B0460	PTO Shaft	1
6.4	N0165	Bearing (1.875OD,.875ID,.500W)	1
7	A1003	PTO Base Plate Assy.	1
8	K1153	HHCS 5/16" -18x3/4"	4
9	K1178	Flange Nut 5/16"-18	4
10	K0309	3/8"-16x1-1/4" SHCS	2
11	K1215	Flange Nut 3/8" -16	6
12	K0037	Flat Washer / 1/4" (.75ODx.312IDx.060T)	4
13	K1150	HHCS / 1/4" -20x2-1/4"	2
14	K1126	Flange Nut 1/4" -20	4
15	K1202	HHCS / 3/8" -16x4-1/2"/G5	2
16	K1216	Nyloc Nut / 3/8"-16	2
17	K0348	HHCS / 3/8" -16x2" AllThread	1
18	K0042	Flat Washer 5/16" / .875ODx.380IDx.075T	5
19	K0353	HWHTCS 1/4" -20x1/2"	5
20	J0303	Spring	2
21	K1192	HHCS 3/8" -16x1-1/4" GR5	4
22	M0267	Kevlar Belt / A28K	1
23	K0048	Lock Washer 3/8"	1
24	B0505	Mount Rod	1
25	B0506_01	Lt. PTO Arm	1
26	B0642	Mount Bracket / Blower Hsg.	1
27	B0643	Rt. PTO Arm	1
28	B0510	Spacer Bushing / Small	1
29	B0511	Spacer Bushing / Large	1
30	K0403	Flat Washer (1-1/2"ODx3/8" IDx.092T)	3
31	B0739	Stiffener Plate / Blower Hsg.	1
32	K0070	Flat Washer (1.295 OD x .881 ID x .020T)	1
33	A1839	3-Blade Impeller Assy.	1
34	J0254	Key / 3/16" x3/16" x3/4"	1
35	K1171	HHCS / 5/16" -24LHx1-1/4" / G5 w/ Patch Coating	1
36	B0887	Belt Tension Adjust Bracket	1
37	K0048	Lock Washer 3/8"	2

**A1840 PTO ASSEMBLY
EXPLODED PARTS VIEW**

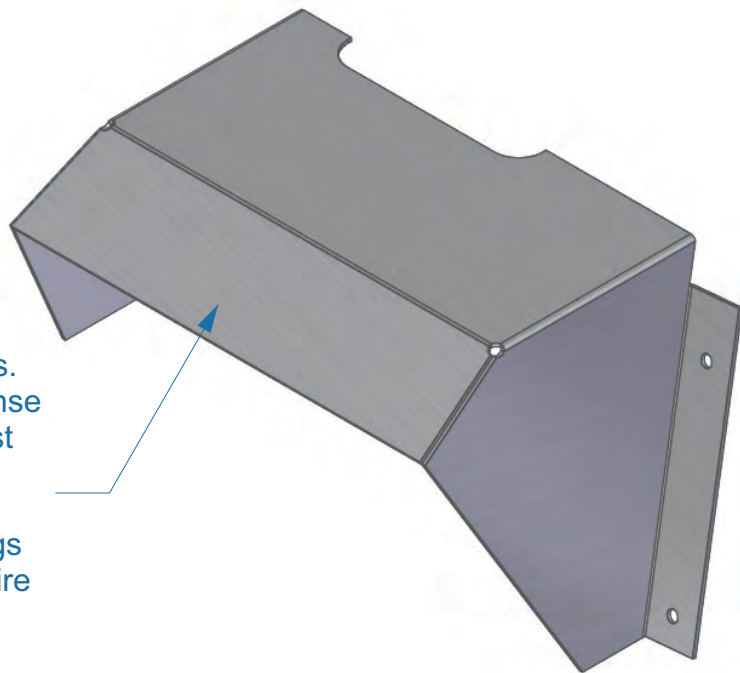
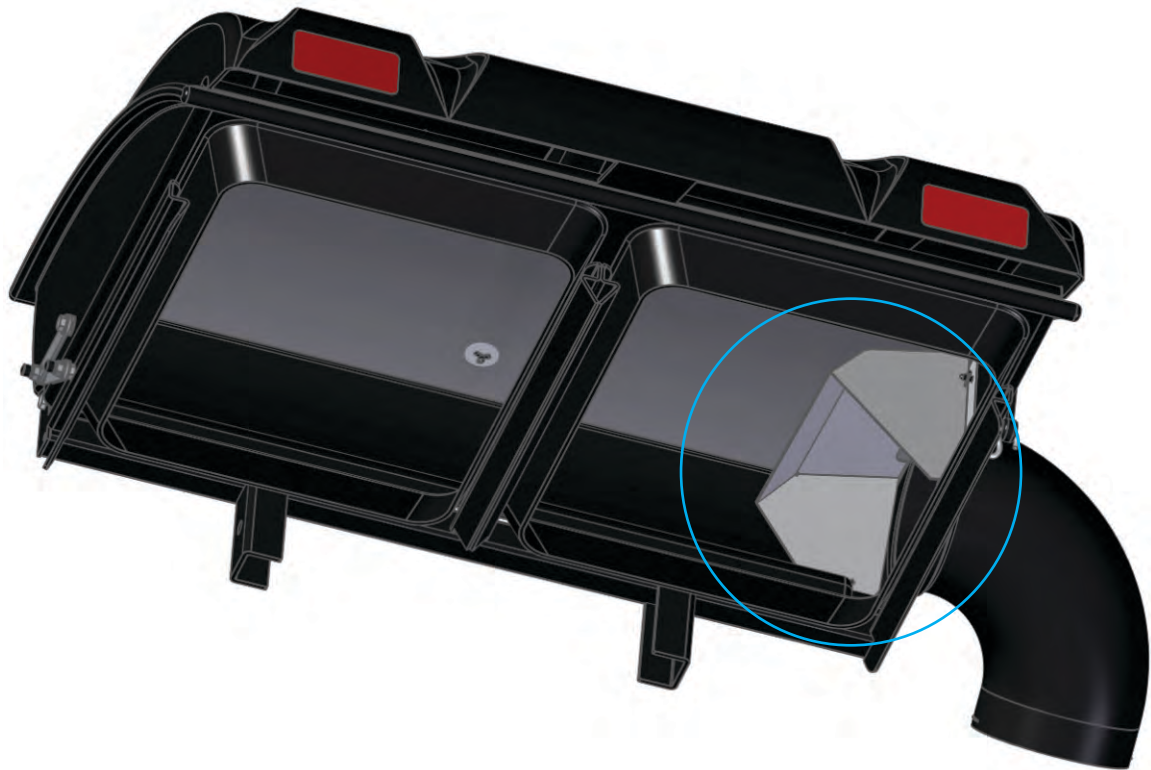
Item#	Part#	Desc.	Qty.
1	B0478	Gear Box Pulley Guard	1
2	A1112	PTO Handle Assembly	1
2.1	B0509	PTO Handle	1
2.2	S0001	Roller Bushing / PTO Handle	1
2.3	K1469	SHCS 1/4" -20x2" Stainless	1
2.4	K2014	1/4"-20 Ny-Flange Lock Nut	1
2.5	V1151	Black Handle Grip (5/8" IDx4-3/4" L)	1
3	A2194	PTO-R Assy. / Base	1



Troubleshooting

Collection System Performance

Problem	Possible Cause	Corrective Action
Abnormal Vibration	<ul style="list-style-type: none"> • Cutting blades are bent or unbalanced • Loose blower pulley or pulley assembly • Impeller blade out of balance 	<ul style="list-style-type: none"> • Install new cutting blade • Tighten the pulley • Contact dealer to replace
Reduced collection system performance	<ul style="list-style-type: none"> • Low engine speed • Plugged screen • Loose belt • Full collection bags 	<ul style="list-style-type: none"> • Always operate collection system at full throttle • Remove debris, leaves, or grass clippings from the screen • Replace/tighten belt • Empty the collection bags
Blower and hoses plugging too frequently	<ul style="list-style-type: none"> • Collection bags are too full • Low engine speed • Grass is too wet • Grass is too long • Ground speed is too fast • Worn belt • Loose belt 	<ul style="list-style-type: none"> • Dump more frequently • Always operate collection system at full throttle • Cut grass when it is dry • Cut the grass several times • Drive slower at full throttle • Replace belt • Adjust the pulley and tighten belts
Debris blowout	<ul style="list-style-type: none"> • Collection bags are too full • Plug/clog in the collection system • Ground speed is too fast 	<ul style="list-style-type: none"> • Dump more frequently • Clean the collection system • Drive more slowly at full throttle
Impeller doesn't rotate freely	<ul style="list-style-type: none"> • Plug in the blower housing • Worn impeller blade • Shaft bearings bad/failing 	<ul style="list-style-type: none"> • Clean the blower housing • Contact dealer to replace • Contact dealer to replace



Flap Can Be Adjusted Up/Down Depending On Mowing Conditions. Adjust Flap Up To Allow More Dense Material To Reach Left Bag. Adjust Flap Down To Allow Less Dense Material To Reach The Right Bag. Once Adjusted Properly, Both Bags Should Fill Evenly, But May Require Further Adjusting When Mowing Conditions Change.

SAFETY DECALS

To promote safe operation, Peco supplies safety decals on all products manufactured. Damage can occur to safety decals either through shipment, use or reconditioning. Contact your local Service Center for replacement decals.



Part # R1070
Peco Logo



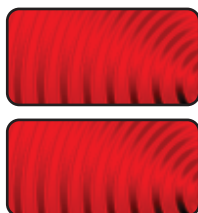
Part #: R4037
Warning: Hot Surface Label



Part #: R1051
Warning: Hearing Protection Label



Part #: R2008
Rotating Blades Label



Part #: R1057 - (2)



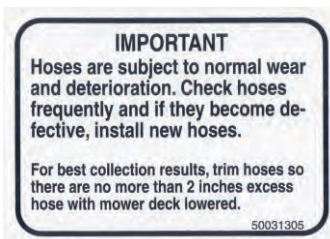
Part #: R1065
Made In America Label



Part #: R2007
Never Use Hands Label



Part #: R1100
Engage-Disengage Label



Part #: R1054
Important Label



Part #: R1069
Warning: Turn Off Blower Label



Part #: R4015
Danger: Rotating Blades Label



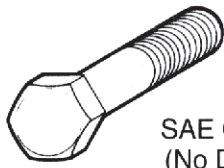
Part #: R4008
Caution: Rotating Blades Label



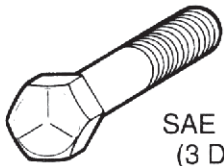
Part #: R1052
Small Warning: Turn Off Blower Label

TORQUE SPECIFICATIONS

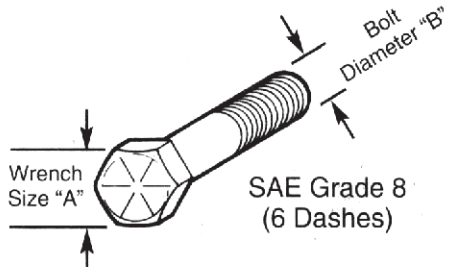
AMERICAN Bolt Head Markings



SAE Grade 2
(No Dashes)



SAE Grade 5
(3 Dashes)

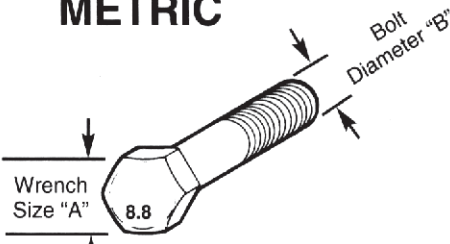


SAE Grade 8
(6 Dashes)

Recommended Torque in Foot Pounds (Newton Meters).*

WRENCH SIZE (IN.) "A"	BOLT DIAMETER (IN.) "B" AND THREAD SIZE	SAE GRADE 2	SAE GRADE 5	SAE GRADE 8
7/16	1/4 - 20 UNC	6 (7)	8 (11)	12 (16)
7/16	1/4 - 28 UNF	6 (8)	10 (13)	14 (18)
1/2	5/16 - 18 UNC	11 (15)	17 (23)	25 (33)
1/2	5/16 - 24 UNF	13 (17)	19 (26)	27 (37)
9/16	3/8 - 16 UNC	20 (27)	31 (42)	44 (60)
9/16	3/8 - 24 UNF	23 (31)	35 (47)	49 (66)
5/8	7/16 - 14 UNC	32 (43)	49 (66)	70 (95)
5/8	7/16 - 20 UNF	36 (49)	55 (75)	78 (106)
3/4	1/2 - 13 UNC	49 (66)	76 (103)	106 (144)
3/4	1/2 - 20 UNF	55 (75)	85 (115)	120 (163)
7/8	9/16 - 12 UNC	70 (95)	109 (148)	153 (207)
7/8	9/16 - 18 UNF	79 (107)	122 (165)	172 (233)
15/16	5/8 - 11 UNC	97 (131)	150 (203)	212 (287)
15/16	5/8 - 18 UNF	110 (149)	170 (230)	240 (325)
1-1/8	3/4 - 10 UNC	144 (195)	266 (360)	376 (509)
1-1/8	3/4 - 16 UNF	192 (260)	297 (402)	420 (569)
1-5/16	7/8 - 9 UNC	166 (225)	430 (583)	606 (821)
1-5/16	7/8 - 14 UNF	184 (249)	474 (642)	668 (905)
1-1/2	1 - 8 UNC	250 (339)	644 (873)	909 (1232)
1-1/2	1 - 12 UNF	274 (371)	705 (955)	995 (1348)
1-1/2	1 - 14 UNF	280 (379)	721 (977)	1019 (1381)
1-11/16	1-1/8 - 7 UNC	354 (480)	795 (1077)	1288(1745)
1-11/16	1-1/8 - 12 UNF	397 (538)	890 (1206)	1444 (1957)
1-7/8	1-1/4 - 7 UNC	500 (678)	1120 (1518)	1817 (2462)
1-7/8	1-1/4 - 12 UNF	553 (749)	1241 (1682)	2013 (2728)
2-1/16	1-3/8 - 6 UNC	655 (887)	1470 (1992)	2382 (3228)
2-1/16	1-3/8 - 12 UNF	746 (1011)	1672 (2266)	2712 (3675)
2-1/4	1-1/2 - 6 UNC	870 (1179)	1950 (2642)	3161 (4283)
2-1/4	1-1/2 - 12 UNF	979 (1327)	2194 (2973)	3557 (4820)

METRIC



Numbers appearing on bolt heads indicate ASTM class.

Recommended torque in foot pounds (newton Meters).*

WRENCH SIZE (mm) "A"	BOLT DIA. (mm) "B"	ASTM 4.6	ASTM 8.8	ASTM 9.8	ASTM 10.9
8	5	1.8 (2.4)		5.1 (6.9)	6.5 (8.8)
10	6	3 (4)		8.7 (12)	11.1 (15)
13	8	7.3 (10)		21.1 (29)	27 (37)
16	10	14.5 (20)		42 (57)	53 (72)
18	12	25 (34)	74 (100)	73 (99)	93 (126)
21	14	40 (54)	118 (160)	116 (157)	148 (201)
24	16	62 (84)	167 (226)	181 (245)	230 (312)
30	20	122 (165)	325 (440)		449 (608)
33	22		443 (600)		611 (828)
36	24	211 (286)	563 (763)		778 (1054)
41	27		821 (1112)		1138 (1542)
46	30	418 (566)	1119 (1516)		1547 (2096)

*Use 75% of the specified torque value for plated fasteners. Use 85% of the specified torque values for lubricated fasteners.



**10 WALDEN DR.
ARDEN, NORTH CAROLINA 28704
(800) 438-5823 OR (828) 684-1234 FAX: (828) 684-0858
EMAIL: peco@lawnvac.com
WEBSITE: www.lawnvac.com**

Rev.1 (1/8/2016)