



Unit Model #: 37131507

Mower: Scag

Owner's Manual: Q0437

Mower Type: Freedom Z

Engine Type: Kawasaki FS730V

Deck Size: 61" Commercial

Vac Type: 15 Cu. Ft. Pro 3 Bagger

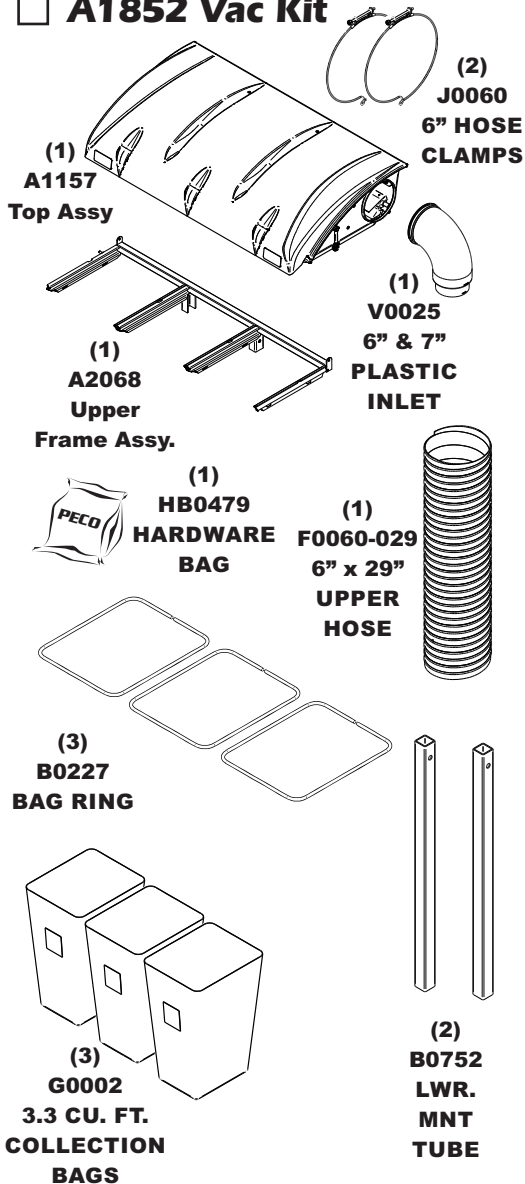
Deck Type:

Drive Type: PTO-C Drive

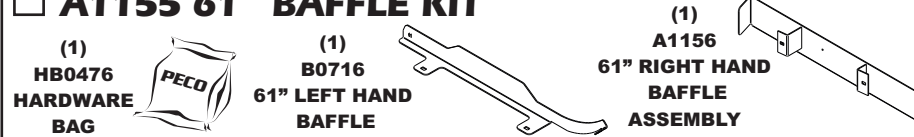
Revision #: 2 - MY & Weight Kit Update - 1/23/2018

Fits Year(s): 2010-Newer

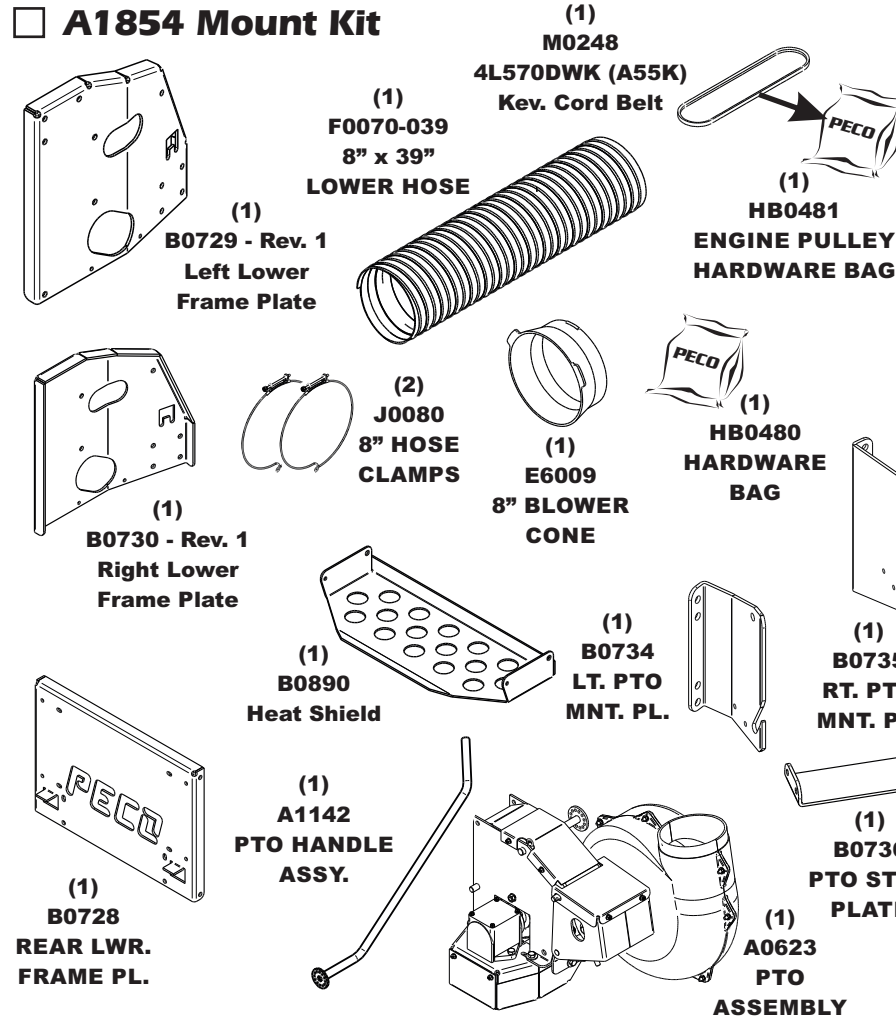
A1852 Vac Kit



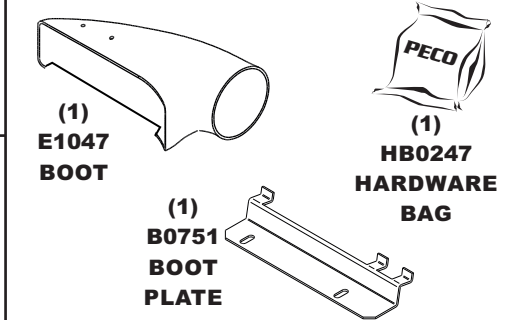
A1155 61" BAFFLE KIT



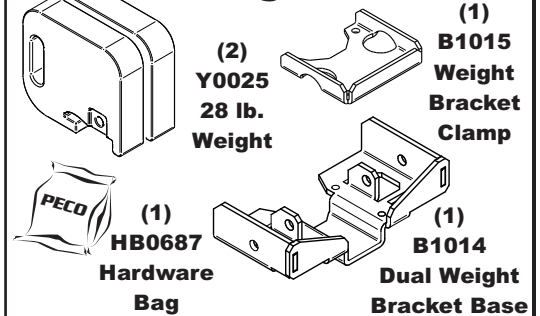
A1854 Mount Kit



A1857 Boot Kit



A2121 Dual Weight Kit / Single Caster



A2121 Dual Weight Kit / Single Caster

