



Unit Model #: 59A30044150 (21131508)

Mower & Type: Cub Cadet - Tank L (48", 54" & 60"), Tank S (60"), Tank LZ (54" & 60"), Tank SZ (54" & 60")

Mower Models: Tank L - 53AN2RTB050, 53AI2RTC050, 53AN2RTD050, 53AI2RTD050, 53AN2RTD009, 53YI2RTD050 /
 Tank S - 53RN2RUD050 / Tank LZ - 53AI2PTC050, 53BI2PTD050, 53YI2PTC050, 53YI2PTD050, 53BH2PTD330 /
 Tank SZ - 53AI2PUC050, 53BI2PUD050, 53YI2PUC050, 53YI2PUD050, 53RE2PUD050, 53AI2PUD330

Owner's Manual: Q0474

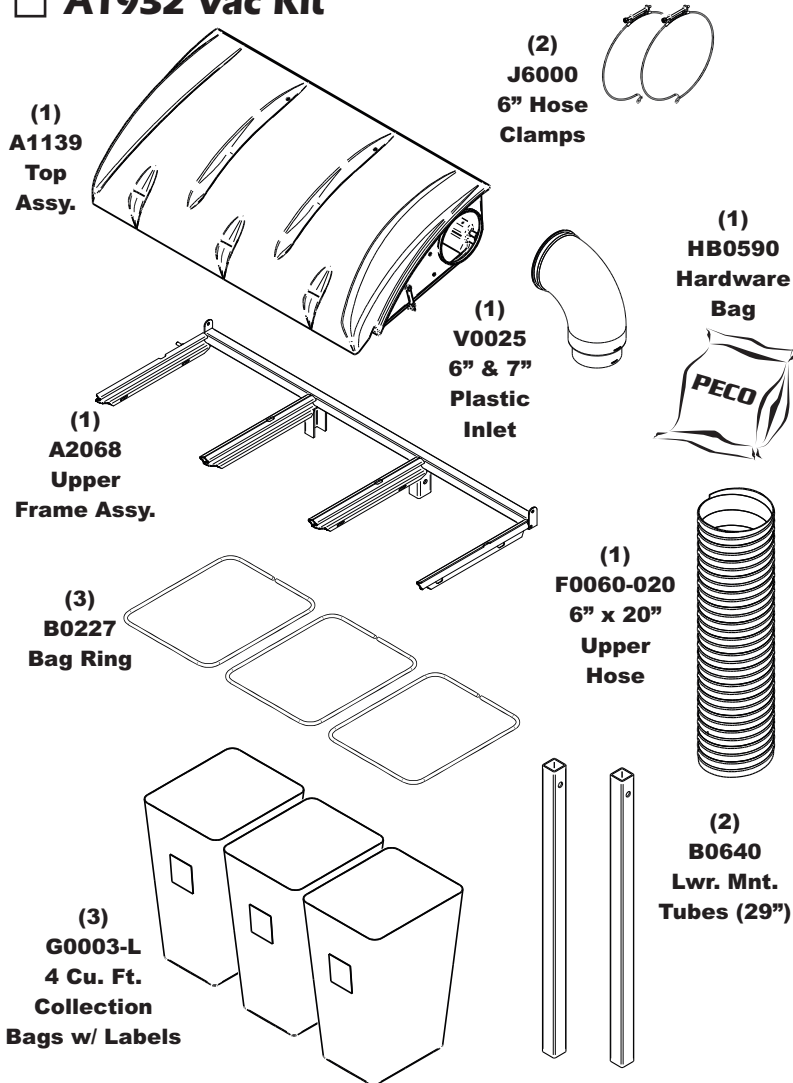
Vac/Drive Type: P3B (15 Cu. Ft.) PTO Driven

Revision #: 3 / Updated Hose P#'s (1/3/2018)

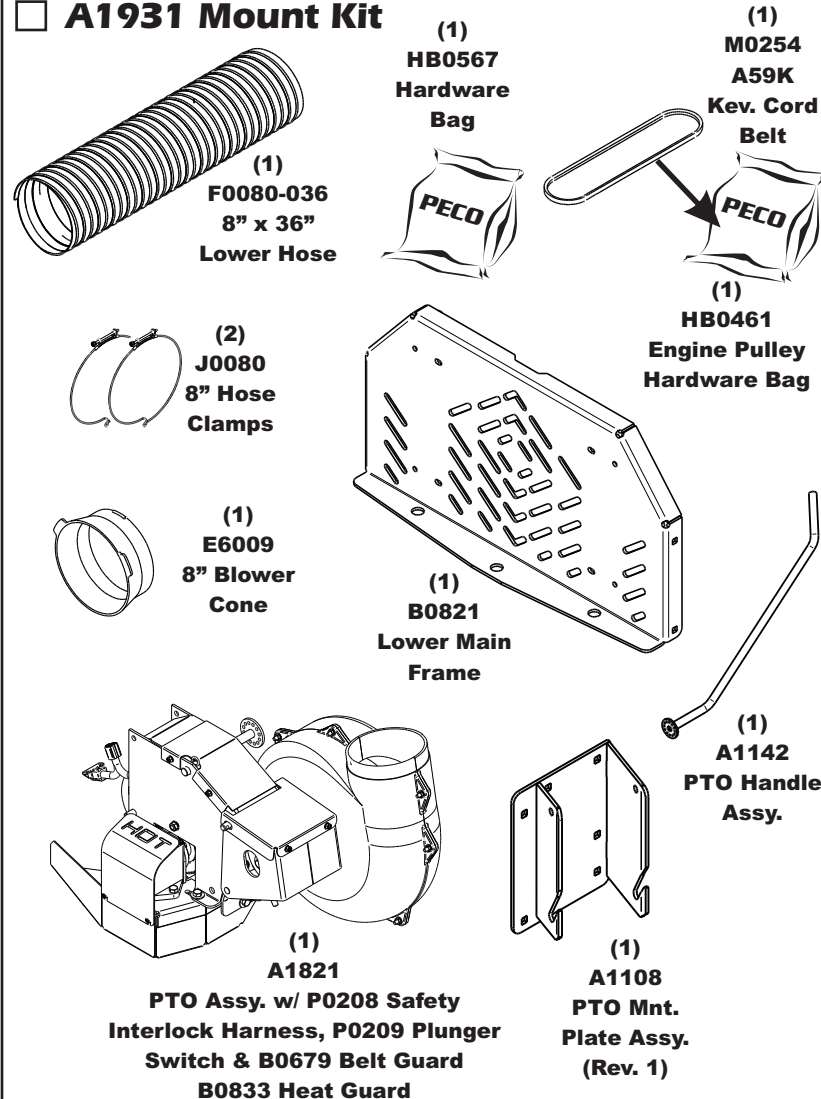
Fits Year(s): 2014-2015

LZ Mowers Require Weight Kit 59A30037150 (A1149) - Not Included On Pack

A1932 Vac Kit



A1931 Mount Kit



A1964 Boot Kit

