



**Unit Model #: 59A30033150 (21131507)**

**Mower:** Cub Cadet Commercial Tank

**Owner's Manual:** Q0425

**Mower Type:** LZ & SZ

**Deck Size:** 48", 54" & 60"

**Vac Type:** 15 Cu. Ft. Pro 3 Bagger

**Deck Type:** Sloped Nose & Select Cut

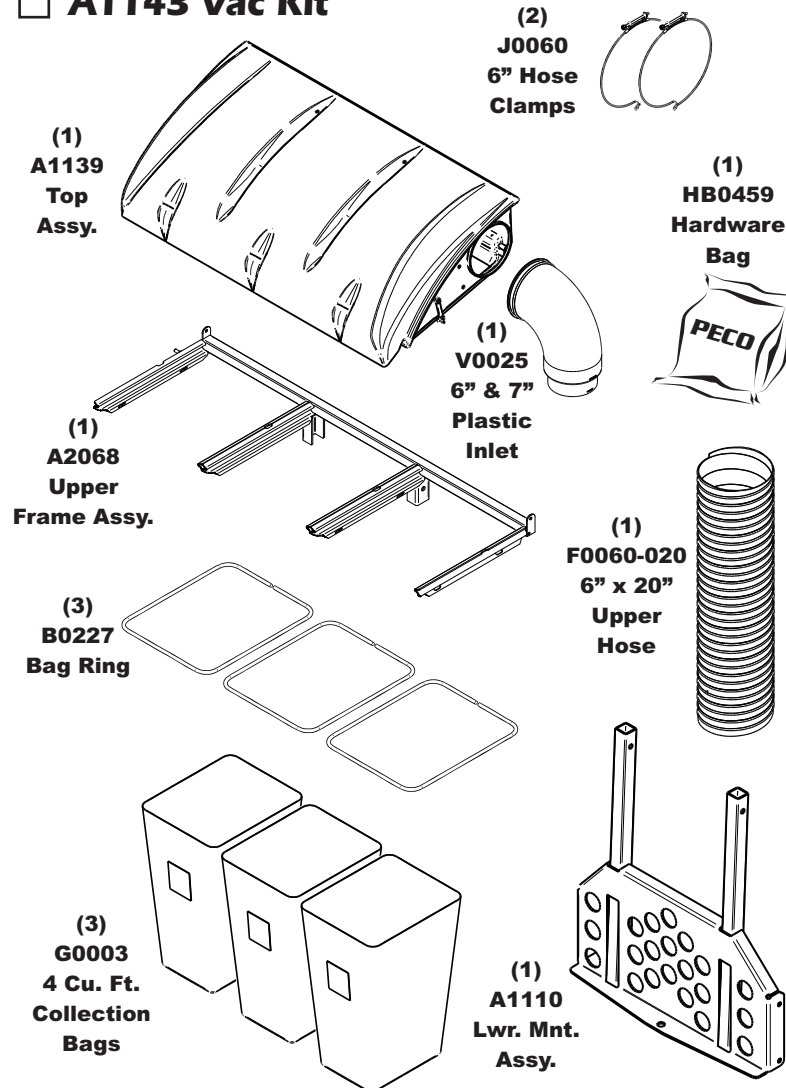
**Drive Type:** Rear PTO Drive

**Revision #:** 3 / Updated Hose P#'s (1/3/2018)

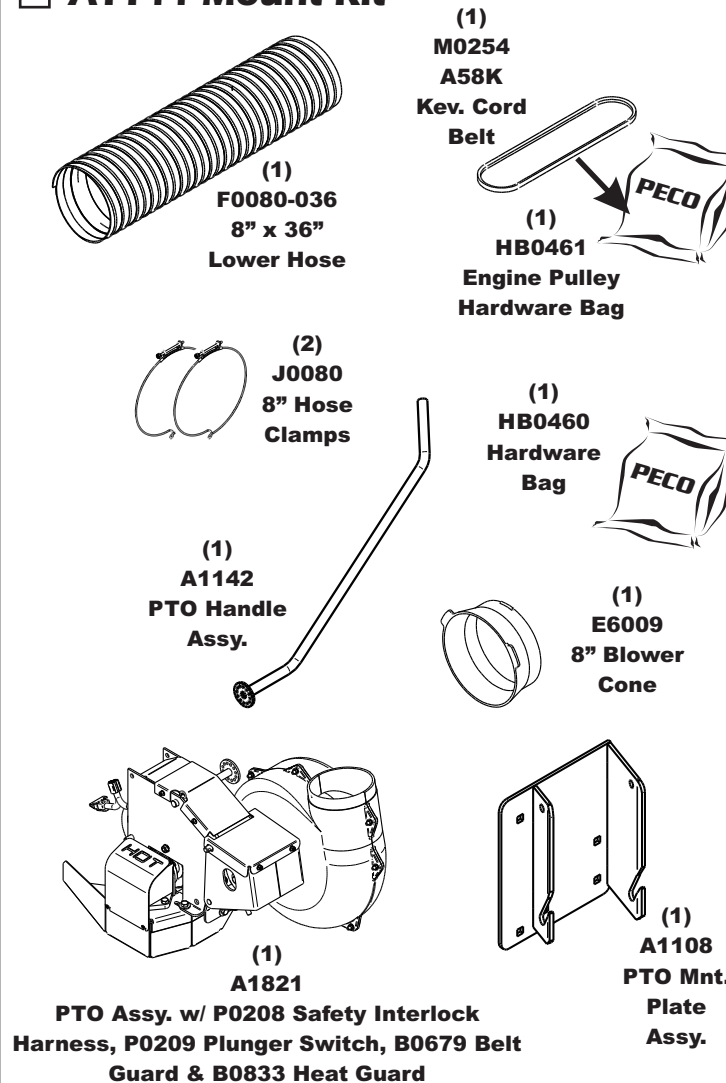
**Fits Year(s):** 2012-2013

**LZ Mowers Require Weight Kit 59A30037150 (A1149) - Not Included On Pack**

**A1143 Vac Kit**



**A1144 Mount Kit**



**A1150 Boot Kit**

