



PTO & ENGINE DRIVEN - GRASS COLLECTION SYSTEM

Model# 23131507, 23131508 & 23131509



Predator Pro RS

61" DECK

MODEL YEAR:

2018-NEWER



OPERATOR'S MANUAL

ASSEMBLY • OPERATION • MAINTENANCE

GRASS COLLECTION SYSTEM

TABLE OF CONTENTS

SECTION	PAGE	SECTION	PAGE
Safety	2	Hinge Kit Assy Installation	17
Safety Alert Symbols	3	Even Bag Fill Adjustment	17
Warranty	4	Length of Hose Adjustment	18
I INTRODUCTION AND DESCRIPTION	5	Upper Hose Installation	18
Introduction	5	Lower Hose to Blower Cone Installation	18
Description	5	Lower Hose to Boot Installation	18
II INSTALLATION FOR USE	6	Bag Assy	19
Preparation Of Mower	6	Bag Assy Installation	19
Rear Frame Bracket Assy & Installation	7	Impeller Blade Removal/Replacement	20
PTO Mount Plate Assy & Installation	8	Weight Kit Installation	21
PTO Assy & Hand Assy Installation	9	Exploded Views & Parts List	22-24
Belt Installation & Adjustment	10	Overall Parts List	25-27
Outer Eng Mnt Tube & Eng Mnt Arm Assy Installation	11	Safety Decals	28
Engine/Blower/Balde Assy Installation	11	III OPERATING INSTRUCTIONS	29
Throttle Cable Installation	12	General Safety	29
Blower Cone Installation	13	Operation & Tips On Mowing	29
Cam Assy Adjustment	13	Disengagement Of The PTO Assembly	29
Boot Kit Installation	14	Unloading The Collection System	29
Lower Mount Tube Installation	15	IV MAINTENANCE	29-30
Upper Frame Assy Installation	15	Maintenance Checklist	30
Top Assy to Upper Frame Assy Installation	16	Lubrication	30
Inlet Installation	16	V PARTS AND SERVICE	30
		Parts And Service Information	30
		Torque Specifications	31
		Troubleshooting	32

SAFETY

1. Read the operator's manual carefully and familiarize yourself with the proper use of your attachment. Do not allow anyone who is not acquainted with the Safety Instructions to use your attachment.
2. Know the controls and how to stop them quickly. **READ THE OPERATOR'S MANUAL!**
3. Do not allow children to operate the machine. Do not allow adults to operate it without proper instruction.
4. Be especially watchful of children and pets entering into the area while operating.
5. Keep your eyes and mind on your machine while mowing or operating your attachment. Don't let others distract you.
6. Do not attempt to operate your machine when not in the driver's seat.
7. Always shut off blades and engine when emptying the container.
8. Stop machine, shut off deck attachment, set parking brake, shut off engine and remove ignition key before removing clogs, removing or replacing hose, boot, blower cone, or performing any maintenance.
9. Mow across the face of slopes (not more than 10 degrees); never up and down the face.
10. It is recommended that the container be emptied when half full while operating on slopes. Start mowing on slopes when the container is empty.
11. Inspect your lawn and remove any foreign objects before mowing. Never deliberately run the mower across any foreign object.
12. Wear hearing protection.
13. Wear eye protection to prevent debris from getting into your eyes.

SAFETY

WARNING! NEVER operate the mower unless the discharge guard and either the deflector assembly or the vacuum collector adapter are fastened securely in place.

WARNING! Do not work around the mower deck boot or the blower area until you are certain that the mower blades and the blower impeller have stopped rotating.

WARNING! To avoid serious injury, perform maintenance on the vacuum collector; **ONLY AFTER STOPPING THE MOWER'S ENGINE AND WAITING FOR ALL MOVING PARTS TO COME TO A COMPLETE STOP.** Set the parking brake. Always remove the ignition key before beginning maintenance.

WARNING! For your own personal safety, **ALWAYS mow ACROSS the face of slopes and NEVER UP and DOWN the face. NEVER attempt to mow excessively steep slopes, and use caution when turning on any slope.**

Safety Alert Symbol



This Safety Alert Symbol means: **“ATTENTION! BECOME ALERT! YOUR SAFETY IS INVOLVED!”**

This symbol is used to call attention to safety precautions that should be followed by the operator to avoid accidents. When you see this symbol, carefully read the message that follows and heed its advice. Failure to comply with safety precautions could result in death or serious bodily injury.

Safety Signs

The signal words **DANGER**, **WARNING**, and **CAUTION** are used on the equipment safety signs. These words are intended to alert the viewer to the existence and the degree of hazard seriousness.



White letters on **RED**

This signal word indicates a potentially hazardous situation which, if not avoided, will result in death or serious injury.



Black letters on **ORANGE**

This signal word indicates a potentially hazardous situation which, if not avoided, could result in death or serious injury.

It may also be used to alert against unsafe practices.



Black letters on **YELLOW**

This signal word indicates a potentially hazardous situation which, if not avoided, will result in minor or moderate injury.

It may also be used to alert against unsafe practices.

PECO LIMITED WARRANTY FOR NEW PRODUCTS

A. WHAT IS UNDER WARRANTY?

PECO extends the following warranties to the original purchaser of each new PECO consumer product subject to the following limitations.

- 1. PRODUCT WARRANTY:** Any part of any consumer product, which is defective in material or workmanship as delivered to the purchaser will be repaired or replaced, as PECO elects, without charge for parts or labor, if the defect appears within 12 months from the date of delivery of the product to the original purchaser. ALL DEFECTIVE PARTS MUST BE RETURNED TO PECO FOR INSPECTION TO DETERMINE VALIDITY OF WARRANTY CLAIMS. Freight and mailing will be borne by the customer.
- 2. PARTS REPLACED DURING WARRANTY:** Any new PECO part which is furnished in performance of this warranty and is defective in material or workmanship as delivered to the purchaser will be repaired or replaced, before the expiration of the original warranty period, whichever is later.
- 3. COMMERCIAL USE:** Products put to personal use around a single household or residence is considered 'Residential'; Products put to any business use (agricultural, commercial, or industrial) or used at multiple locations is considered 'Commercial.' Products designated as 'Commercial' are warranted for 12 months from the date of delivery of the product to the original purchaser when used for in commercial applications. Products designated as 'Residential' are warranted for 90 days from the date of delivery of the product to the original purchaser when in commercial applications.

B. SECURING WARRANTY ADJUSTMENTS

Call PECO for Return Authorization. Damaged or broken parts other than engines or batteries, must be returned to New PECO, Inc. at 10 Walden Drive, Arden, NC 28704 before any warranty adjustment can be authorized. At the time of requesting warranty adjustment, the purchaser must present evidence of the date of delivery of the product. The purchaser shall pay any charge for the product to and from Arden, NC.

C. ITEMS NOT COVERED BY PECO WARRANTY

Engines and batteries attached to PECO products are covered under a separate warranty by the respective manufacturer.

D. UNAPPROVED ALTERATION OR MODIFICATION

All obligations of New PECO, Inc. under this warranty shall be terminated if products are altered or modified in ways not approved by New PECO, Inc.

E. ACCIDENTS AND NORMAL MAINTENANCE

The warranty covers only defective material and workmanship. It does not cover depreciation or damage caused by normal wear, accident, improper use or abuse of products. The cost of normal maintenance and normal replacement of service items such as belts, cutting blades, hoses, etc., which are not defective shall be paid for by the purchaser.

F. NO REPRESENTATIONS ADDITIONAL WARRANTIES, DISCLAIMER

Neither New PECO, Inc. nor any company affiliated with it makes any warranties, representations or promises as to the quality of performance of its products other than those set forth herein. Except as described above, New PECO, Inc. makes no other warranties AND SPECIFICALLY DISCLAIMS ANY AND ALL IMPLIED WARRANTIES OF FITNESS AND MERCHANTABILITY.

G. PRODUCTS USED FOR RENTAL OR LEASE PURPOSES ARE WARRANTIED FOR 45 DAYS FROM DATE OF ORIGINAL SALE ONLY

H. REMEDIED EXCLUSIVE

The only remedies the purchaser has in connection with the breach or performance of any warranty on New PECO, Inc. consumer products are set forth above. In no event will PECO be liable for special incidental or consequential damages.

1. NO SERVICE CENTER WARRANTY

The selling Service Center makes no warranty on his own on any item warranted by New PECO, Inc. unless he delivers to purchaser a separate written warranty certificate specifically warranting the item. The dealer has no authority to make any representation or promise on behalf of PECO or to modify the terms of this warranty in any way.

Section I - INTRODUCTION AND DESCRIPTION

Introduction

We are pleased to have you as a PECO customer. Your collection system has been designed to give you a low maintenance, simple, and effective way to collect the grass clippings from your mower. The manuals are provided to give you the necessary instructions to properly mount, operate and maintain the collection system on your mower. Please read this manual thoroughly. Understand what each control is for and how to use it. Observe all safety decal precautions on the machine and noted throughout the manual.

NOTE: All references made to right, left, front, rear, top or bottom are as viewed from the normal operator's position on the mower.

Description

The grass collection system is designed for turf maintenance where there is a need to collect the grass clippings as the mower cuts the turf. It is also used for picking up leaves in pre-season and post-season clean-up. The blower, mounted on the right side of the unit, uses a belt and gearbox system from the engine PTO shaft. Drive train protection comes through belt slippage. The blower draws grass clippings from the discharge area of the cutting deck back to the collection bags at the rear portion of the mower frame. The operator can engage the blower with a toggle switch mounted on the control panel to the right of the operator. Once the bags are full with clippings, they can be easily released for dumping.



Section II - INSTALLATION FOR USE

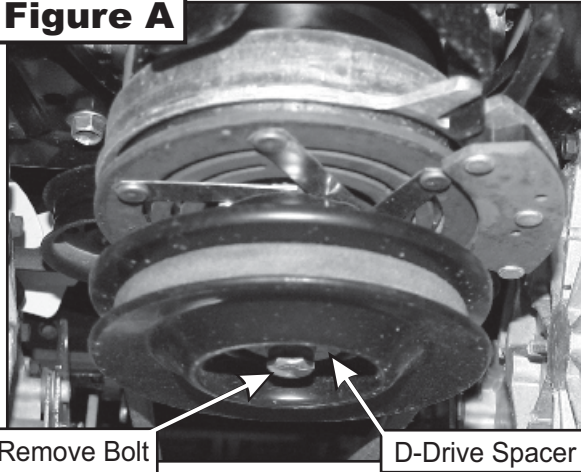
Preparation Of Mower

NOTE: The mower deck PTO belt must be removed from the electric clutch before continuing with the installation. Refer to your mower's owner's manual for instructions on PTO belt removal.

NOTE: Engine Pulley Installation is for PTO Models only.

From the underside of the engine, disconnect the wiring harness attached to the electric clutch. Remove the bolt and electric clutch from the mower. Refer to Figure A.

Figure A



Upon removal of clutch determine if your mower is equipped with a D-drive spacer. If so, proceed to Figure B. If your mower is equipped with a bolt, fender and lock washer without D-drive spacer proceed to Figure C. Remove the D-drive spacer using an arbor press or equivalent. On removal, adjacent bearing OUTER race must be supported or bearing damage may occur. Refer to Figure B.

Figure B

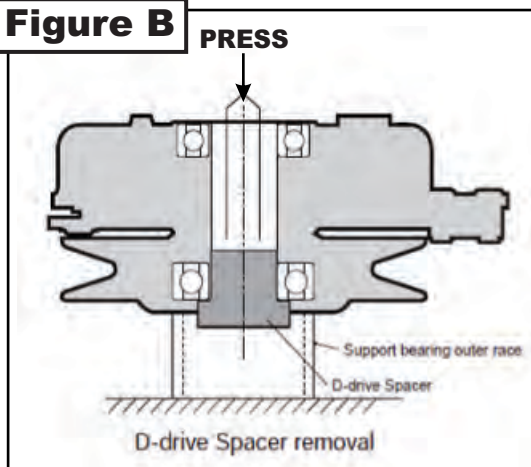
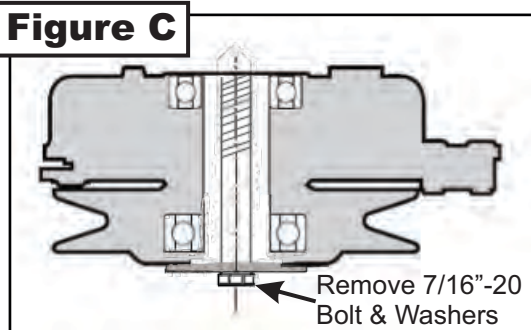
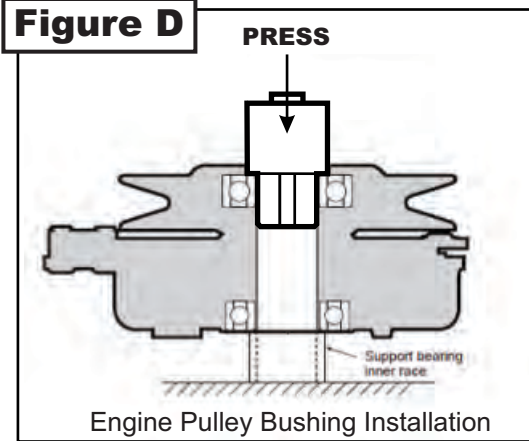


Figure C



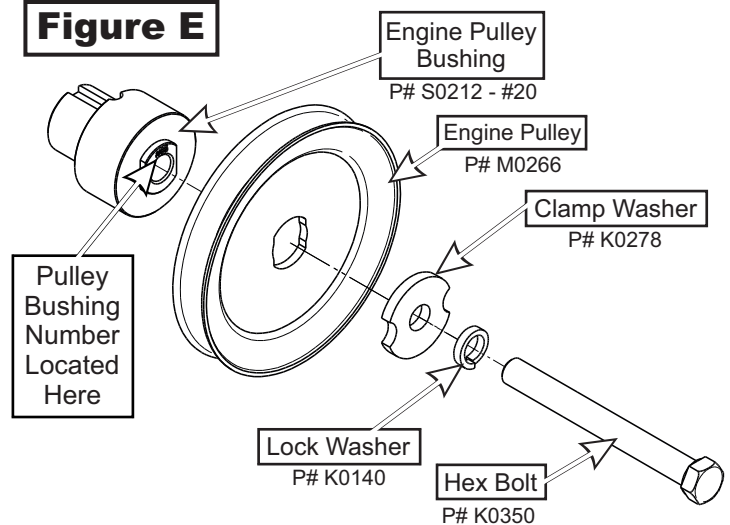
The engine pulley assembly must be installed using an arbor press or equivalent. During installation, opposite bearing inner race must be supported or bearing damage may occur. Refer to Figure D.

Figure D



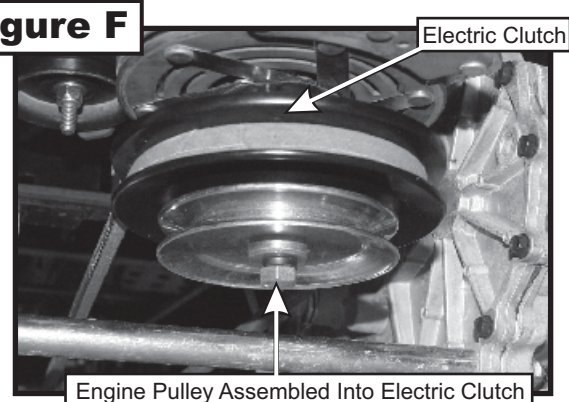
Once the Engine Pulley Bushing is installed, reattach the clutch assembly & deck PTO belt to the mower and then review Figure E.

Figure E



To assemble and fasten the Engine Pulley, align the Engine Pulley Bushing to the mower's clutch pulley and fasten using (1) Clamp Washer, (1) Lock Washer, and (1) Hex Bolt. Torque the bolt to 55 ft./lbs. The added pulley will power the collection system and should resemble Figure F when installed.

Figure F



Rear Frame Bracket Assembly & Installation

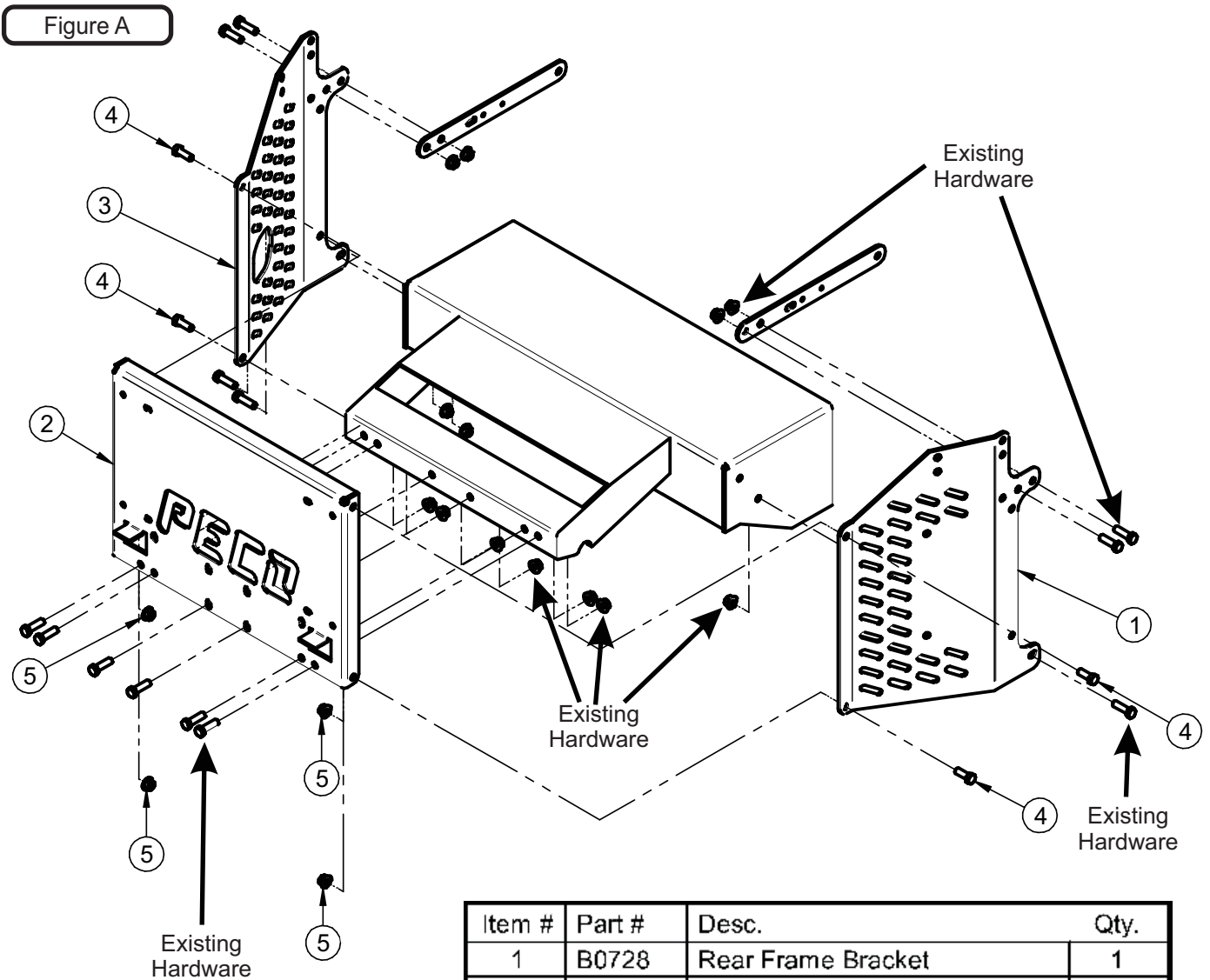
NOTE: Before installing the Rear Frame Bracket Assembly, remove the existing rear bumper from the mower saving all hardware. Refer to the Figure Below.

NOTE: Leave all hardware relatively loose until the end of this step.

To install the Rear Frame Bracket (Item #1), align the bottom bolt holes to those on the mower's rear frame. Secure the Rear Frame Bracket by replacing the existing hardware. For **Engine Driven Models**, leave the (2) CENTER bolt holes open to allow for the installation of the Outer Engine Mount Tube. Refer to Figure A.

Align the bolt holes on the right of the Right Frame Bracket (Item #2) to those on the right rear of the mower's frame. Secure the Right Frame Bracket to the mower's frame by using the existing hardware. For **PTO Models**, DO NOT replace the hardware for the bottom bolt hole (the bolt hole above the bottom tab). This bolt hole is left open for the installation of the Right PTO Mount Plate. Align the left bolt holes of the Right Frame Bracket to the bolt holes on the Rear Frame Bracket and secure the two Brackets by using (2) 3/8"-16 x 1" HHCS and (2) 3/8"-16 Ny-Flange Lock Nuts. Refer to Figure A. To Install the Left Frame Bracket (Item #3), repeat the same steps as the Right Frame Bracket and replace ALL existing hardware to the mower's frame. Refer to Figure A.

Tighten all hardware at this time.



Item #	Part #	Desc.	Qty.
1	B0728	Rear Frame Bracket	1
2	B0785	Right Frame Bracket	1
3	B0786	Left Frame Bracket	1
4	K1191	HHCS 3/8"-16 x 1" GR5	4
5	K2038	Ny-Flange Lock Nut 3/8"-16	4

PTO Mount Plate Assembly & Installation

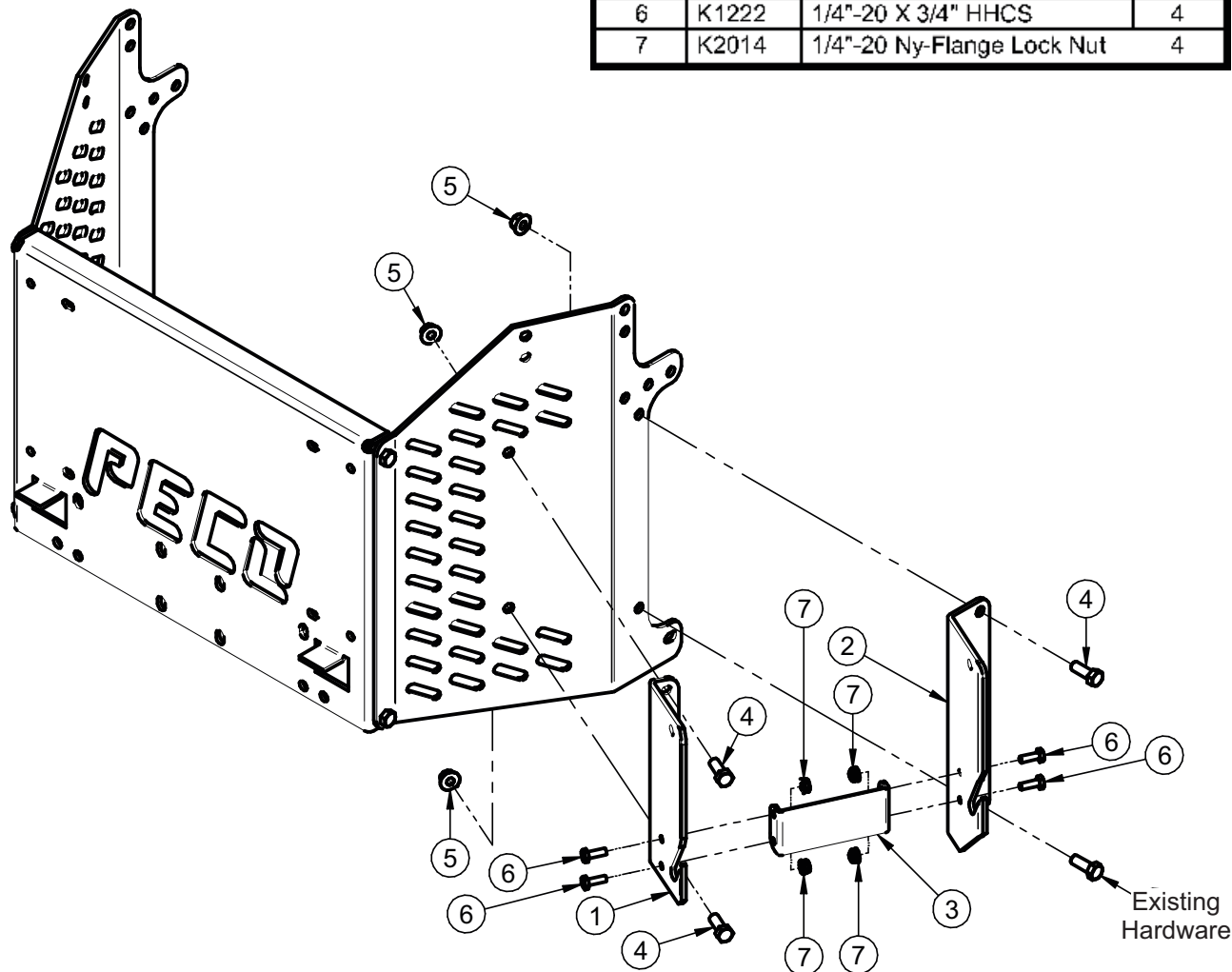
NOTE: PTO Models Only

To install the PTO Mount Plates, align the bolt holes of the Left PTO Mount Plate (Item #1) to the bolt holes on the left side of the Right Frame Bracket, refer to Figure A. Secure the Left PTO Mount Plate by using (2) 3/8"-16 x 1" HHCS (Item #4) and (2) 3/8" Ny-Flange Lock Nuts (Item #5). To Install the Right PTO Mount Plate (Item #2), remove the existing hardware and align the bolt holes of the Right PTO Mount Plate to the bolt holes on the right side of the Right Frame Bracket, refer to Figure A. Secure the Right PTO Mount Plate by replacing the existing hardware and using (1) 3/8"-16 x 1" HHCS (Item #4) and (1) 3/8" Ny-Flange Lock Nut (Item #5). Refer to Figure A.

To Install the PTO Stop Plate (Item #3), align the bolt holes on either side of the tabs to the bolts holes of the Left and Right Mount Plates. Be sure the tabs are facing towards the mower. Secure the PTO Stop Plate by using (2) 1/4"-20 x 3/4" HHCS and (2) 1/4"-20 Ny-Flange Lock Nuts PER tab. Refer to Figure A.

Figure A

Item #	Part #	Desc.	Qty.
1	B0788	Lt. PTO Mnt. Pl.	1
2	B0787	RT. PTO Mnt. Pl.	1
3	B0736	PTO Stop Pl.	1
4	K1191	HHCS 3/8"-16 x 1" GR5	3
5	K2038	Ny-Flange Lock Nut 3/8"-16	3
6	K1222	1/4"-20 X 3/4" HHCS	4
7	K2014	1/4"-20 Ny-Flange Lock Nut	4



PTO Assembly & Handle Assembly Installation

NOTE: PTO Models Only

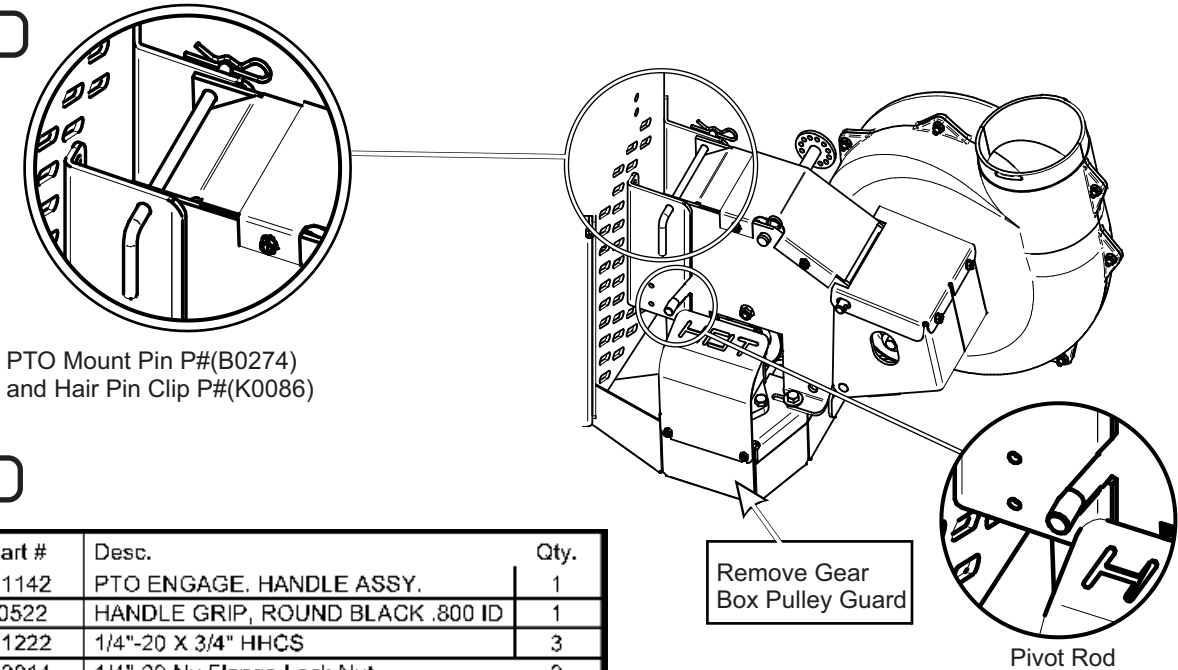
To mount the PTO Assembly, insert the Pivot Rod on the PTO Assembly P#(A1950) into the mounting slots located on the Left & Right PTO Mount Plates (Figure A). Tilt the PTO Assembly upward and insert the PTO Mount Pin P#(B0274) through the hole in the top of the Right PTO Mount Plate Assembly. Secure the PTO Mount Pin using 3/32" Hair Pin Clip P#(K0099) as shown below.

Note: Remove the gearbox pulley guard in preparation for the belt installation. Refer to Figure A.

To install the PTO Handle (Item#1), attach the PTO Handle to the PTO Assembly using (3) 1/4"-20 x 3/4" HHCS (Item#3) and (3) 1/4"-20 Ny-Flange Locknuts (Item#4). Attach the Handle Grip (Item#2) to the PTO Handle. Refer to figure B

Note: The PTO Handle can be adjusted after achieving proper belt adjustment. To adjust the handle, remove (3) 1/4"-20 x 3/4" HHCS (Item#3) and (3) 1/4"-20 Ny-Flange Locknuts (Item#4), rotate handle until positioned in the desired location (while aligning holes) and replace the hardware. The bolts should be kept approximately 120 degrees apart to ensure proper fastening.

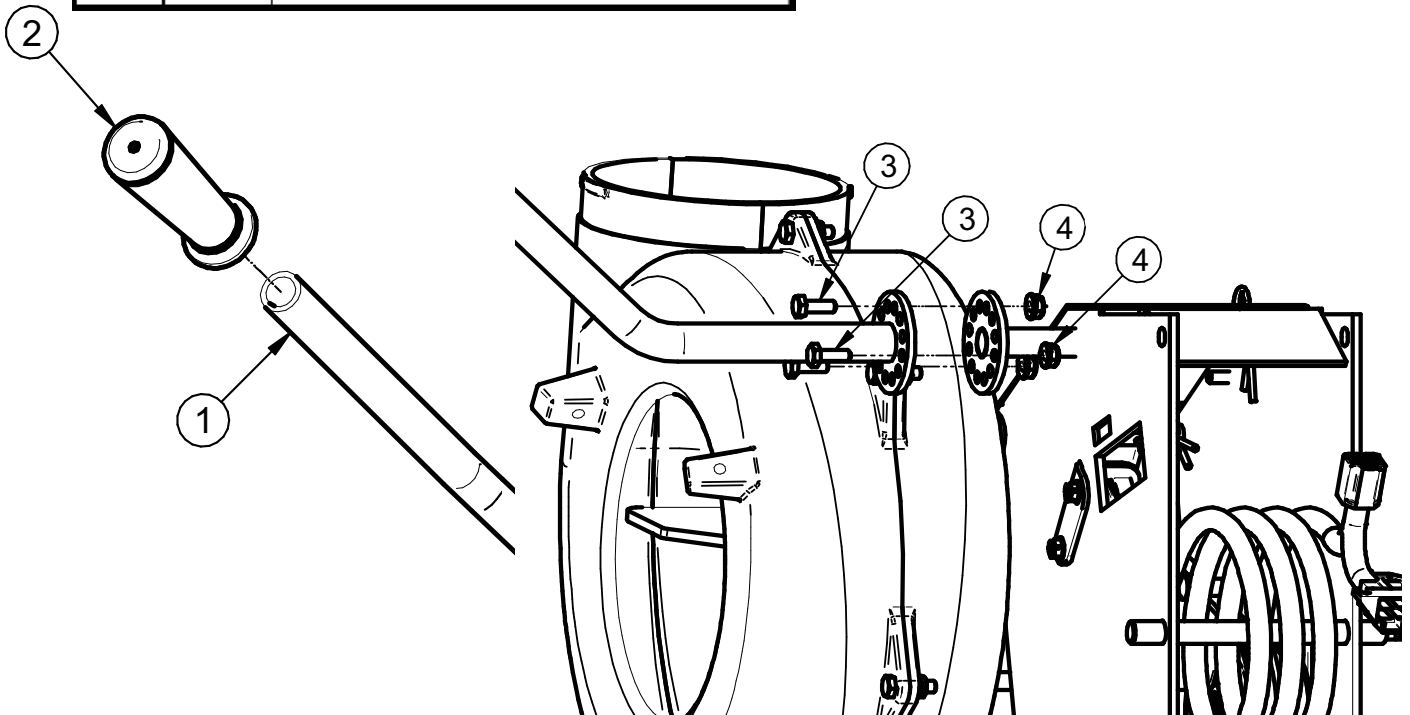
Figure A



PTO Mount Pin P#(B0274)
and Hair Pin Clip P#(K0086)

Figure B

Item #	Part #	Desc.	Qty.
1	A1142	PTO ENGAGE. HANDLE ASSY.	1
2	J0522	HANDLE GRIP, ROUND BLACK .800 ID	1
3	K1222	1/4"-20 X 3/4" HHCS	3
4	K2014	1/4"-20 Ny-Flange Lock Nut	3



Belt Installation & Adjustment

Loosen the (4) bolts P#(K1191), (2) on each side, that secure the gear box assembly to the PTO assembly P#(A1950) (Figure A and B).

Figure A

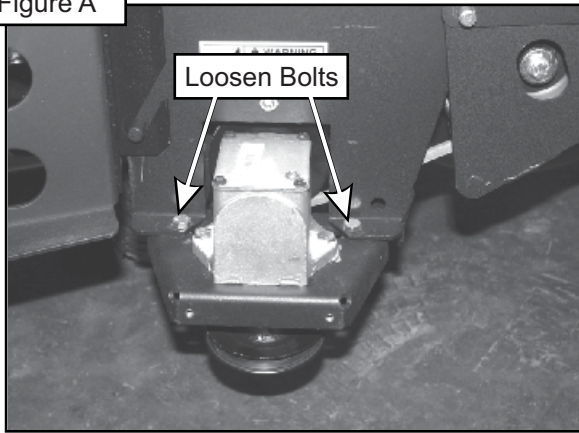
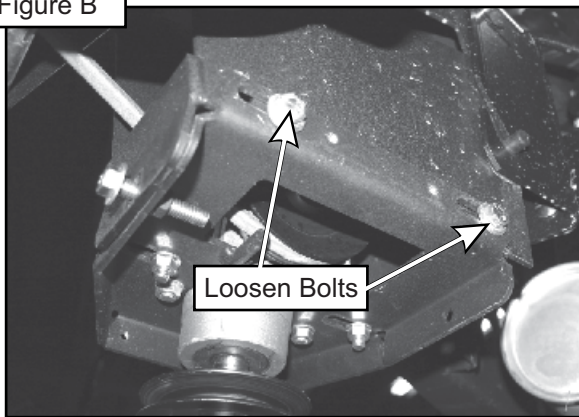
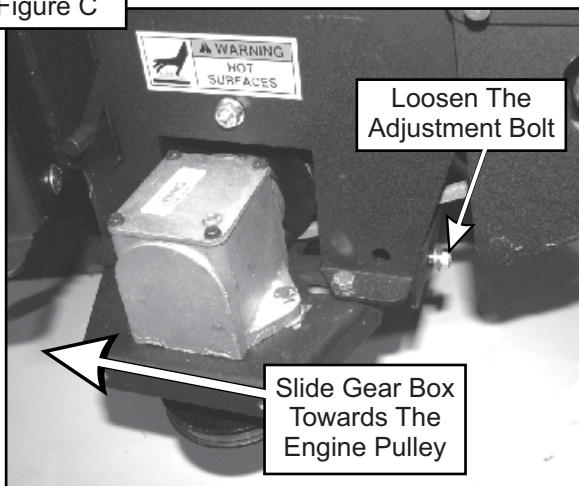


Figure B



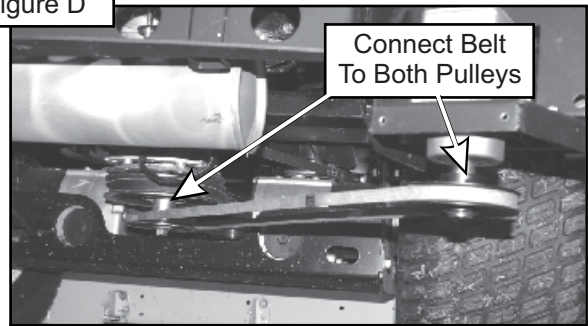
Loosen the adjustment bolt P#(K0348) until the gear box assembly is at its far left adjustment (the gear box is moved toward the mower's engine pulley). Refer to Figure C.

Figure C



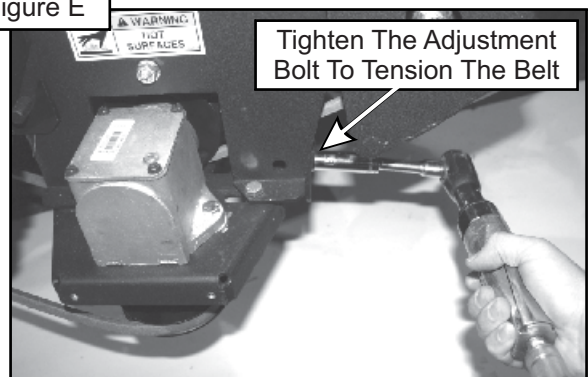
Connect the belt A57K P#(M0256) from the engine pulley to the lower gear box pulley (Figure D).

Figure D



To tension the drive belt, turn the adjustment bolt clockwise (Figure E) until there is 1" of deflection, with 10-11 lbs. of pressure, at the center of the belt between the engine pulley and the gear box pulley.

Figure E



Once the correct tension of the belt is achieved, tighten the (4) bolts that secure the gear box assembly. Refer to Figures F and G. Replace the belt guard and hardware that was removed in the previous step.

Figure F

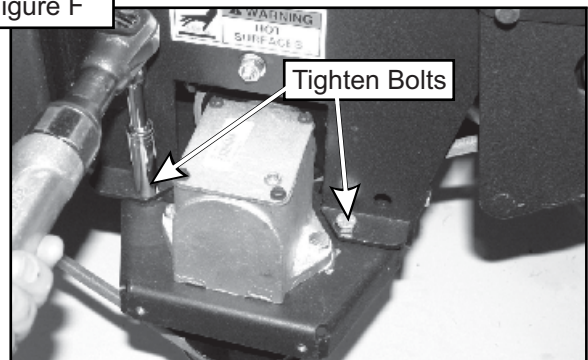
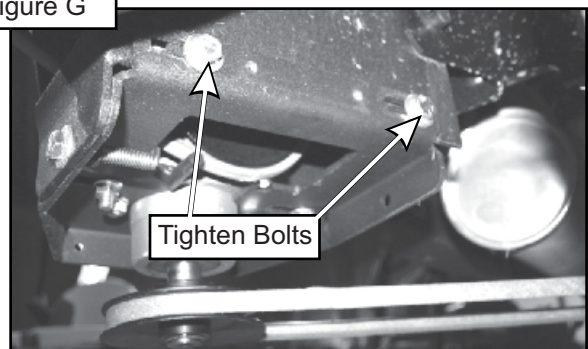


Figure G



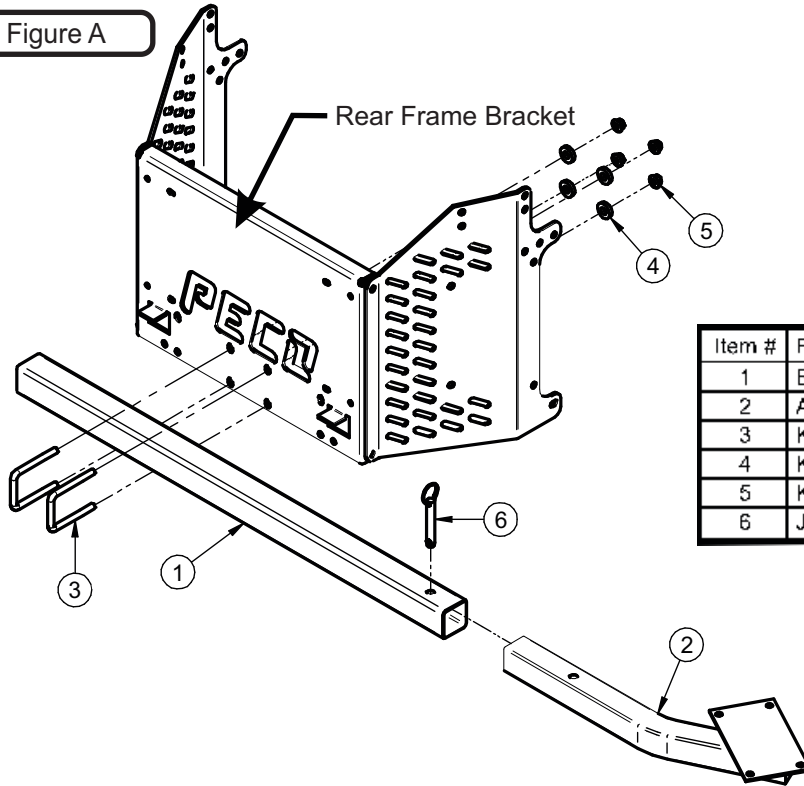
Outer Engine Mount Tube & Engine Mount Arm Assy Installation

NOTE: Engine Drive Models Only

Secure the Outer Engine Mount Tube (Item #1) to the Rear Frame Bracket using (2) 3/8"-16 U-bolts (Item #3), (4) Spacer (Item #4) and (4) 3/8"-16 Ny-Flange Locknuts (Item #5). Leave the locknuts finger tight until the Engine Blower Blade Assembly has been installed. Refer to the Figure A.

Insert the Engine Mount Arm Assembly (Item #2) into the end of the Outer Engine Mount Tube. Secure the Engine Mount Arm Assembly by using (1) Detent Pin (Item #6). Refer to the Figure A.

Figure A



Item #	Part #	Desc.	Qty.
1	B3727	Outer Engine Mount Tube	1
2	A1824	Eng. Mint Arm Assy.	1
3	K1460	U-Bolt 3/8-16 X 2-1/8 X 3-3/8	2
4	K0277	Spacer	4
5	K2038	Ny-Flange Lock Nut 3/8"-16	4
6	J0248	Detent Pin	1

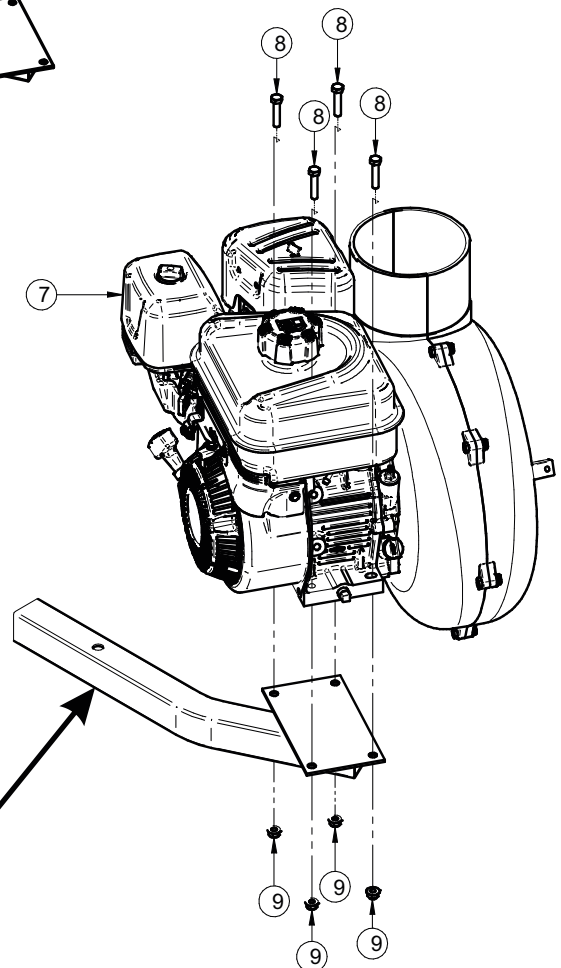
Engine/Blower/Blade Assembly Installation

Place the Engine Blower Blade Assembly (Item #7) on top of the Engine Mount Arm. Secure the Engine Blower Blade Assembly by using (4) 5/16"-18 x 1-1/2" HHCS (Item #8) and (4) 5/16"-18 Ny-Flange Lock Nuts (Item #9). Refer to Figure B. Adjust the position of the blower assembly by sliding the engine mount tubes left or right. There should be a minimum of 1" clearance between the blower housing and the rear tire. Tighten all hardware at this time.

Figure B

Item #	Part #	Desc.	Qty.
7	A639	Engine/Blower/Blade Assembly	1
8	K1157	5/16"-18 x 1-1/2" All Thread HHCS	4
9	K2516	Ny-Flange Lock Nut 5/16"-18	4

Engine Mount Arm



Throttle Cable Installation

NOTE: Engine Driven Models Only

To install the Throttle Cable Kit to the ROPS (Roll Over Protection System), place the 3/8" U-Bolt P#(K0136) onto the ROPS with the threads facing the front of the mower. Next slide on the Throttle Mount Plate Assembly P#(A0666) with the rivets also facing toward the front of the mower. Tighten the Throttle Mount Plate Assembly securely to the ROPS using (2) 3/8"-16 Ny-Flange Locknuts P#(K2038) (Figure A). With the throttle cable facing toward the Engine/Blower/Blade Assembly, place the Throttle Base Plate over the rivets, Slide the Throttle Cable Kit to the right, moving the smaller end of the slot over the rivets. When positioned correctly, the Throttle Spring Plate will snap into place (Figure B).

To remove the Throttle Cable Kit, lift the Throttle Spring Plate and slide the Throttle Kit to the left.

Route cable over the Upper Hose as shown in Figure C.

Secure the Throttle Cable to the Blower Housing Assembly using (1) J-Clip P#(K1455). Use the existing hardware from the Blower Housing to secure the J-Clip, as shown in Figure C.

To fasten the Throttle Cable end to the engine, place the Throttle Control Lever into the "Stop" position. Rotate the Engine Throttle Lever to the "Stop" position. Thread the wire end of the Throttle Cable into the Engine Throttle Lever eyelet and tighten the screw. Fasten the Throttle Cable sleeve to the clamp on the Engine Throttle (Figure D). Rotate the Throttle Control Lever into the "Fast" position to check for proper installation.

NOTE: Cable sleeve may need to be cut, depending on the engine type. Once Throttle Cable is attached, lift the plastic top assembly and make sure that the Throttle Cable does not interfere with the movement of the plastic top.

Figure A

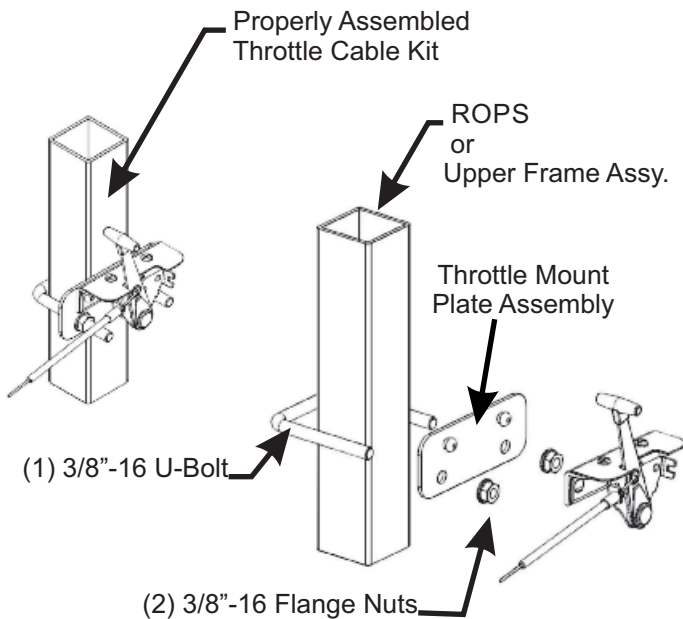


Figure C

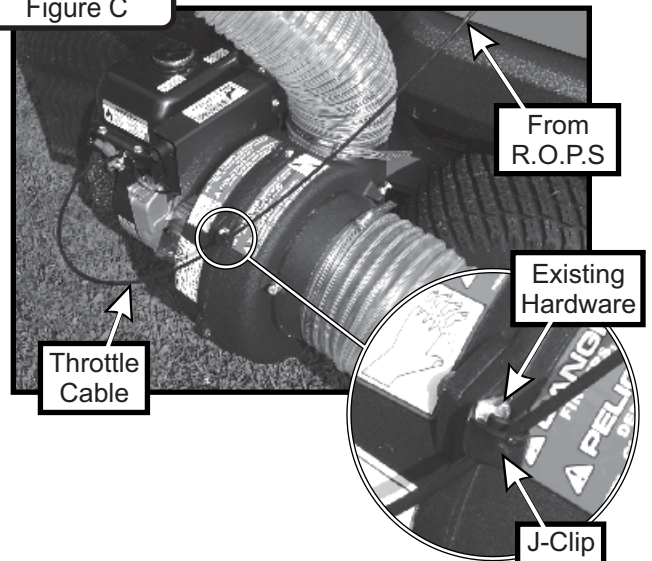


Figure B

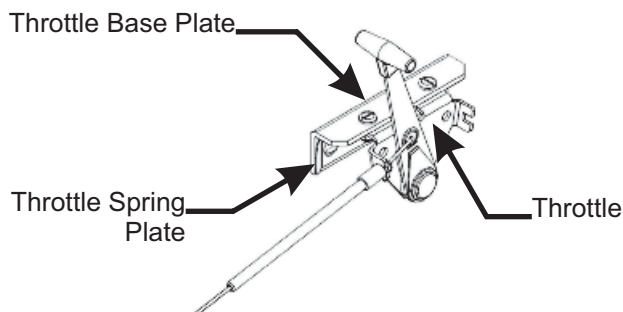
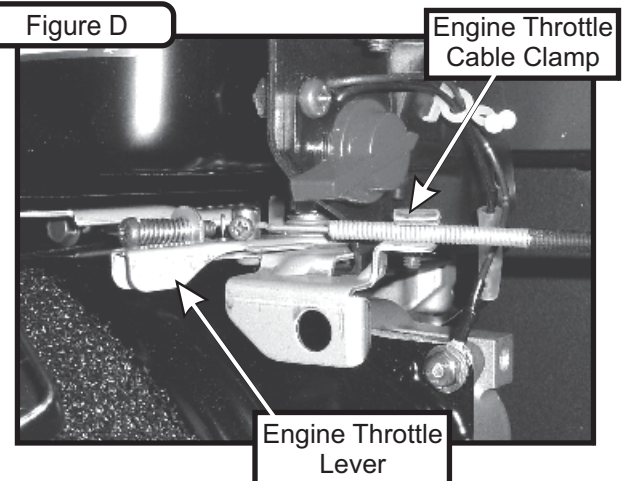


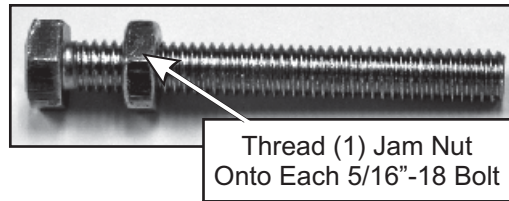
Figure D



Blower Cone Installation

Thread (1) 5/16"-18 Jam Nut P#(K0120) onto each end of (2) 5/16"-18 x 2-1/2" HHCS P#(K0125) as shown in Figure A.

Figure A



Now partially thread (1) bolt into each of the two threaded bosses located on the blower housing. Place blower cone so the two tabs line up with the bolts and tighten completely as shown in Figure B. Once the (2) bolts are tight, tighten the jam nuts against the threaded boss as shown in Figure C.

Figure B

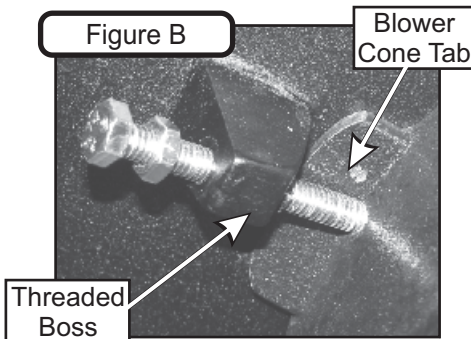
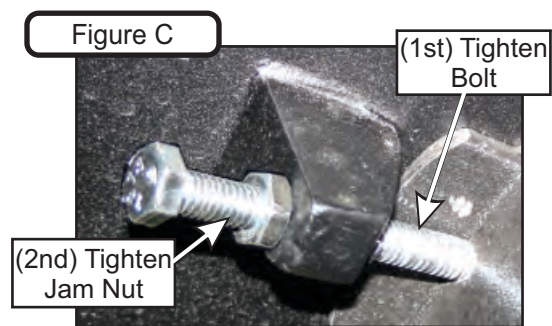


Figure C



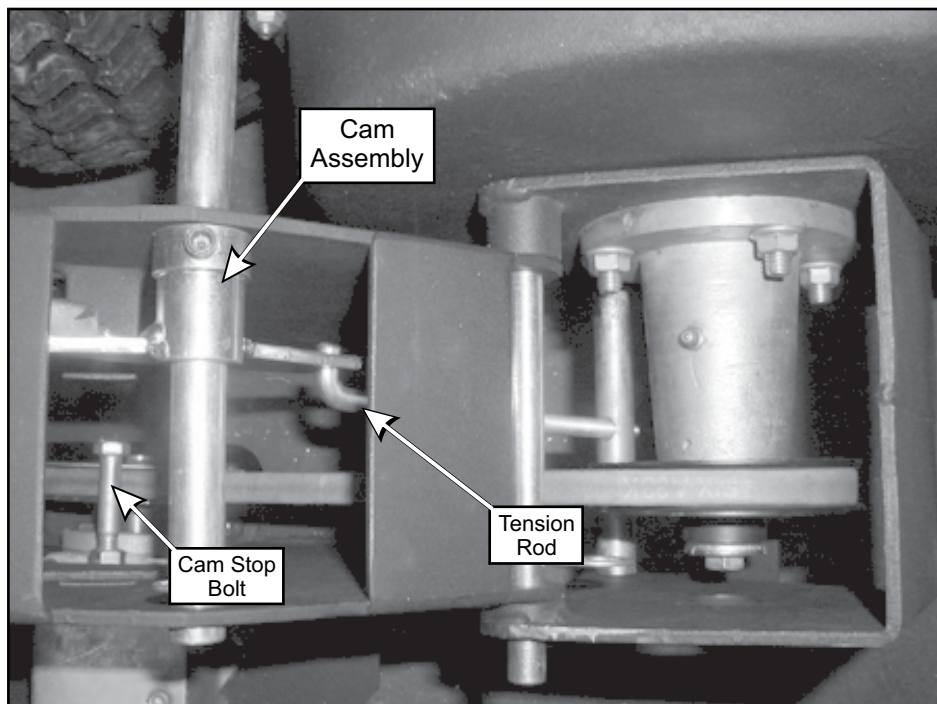
Cam Assembly Adjustment

NOTE: PTO Models Only

The cam assembly P#(A0422), which controls the blower belt tension, comes from the factory pre-adjusted. If the belt is too tight or becomes too loose, remove the hair pin clip P#(K0130) from the belt tension rod P#(K0326) and pull the "L" end of the rod out of it's hole in the cam assembly.

The tension rod may then be screwed out to tighten the belt or screwed in to loosen the belt. Replace the "L" end into the top hole in the cam and replace the hair pin clip. Adjust the cam stop bolt P#(K1159) to allow the cam to rotate slightly over center when the blower is engaged (Figure D).

Figure D



Boot Kit Installation

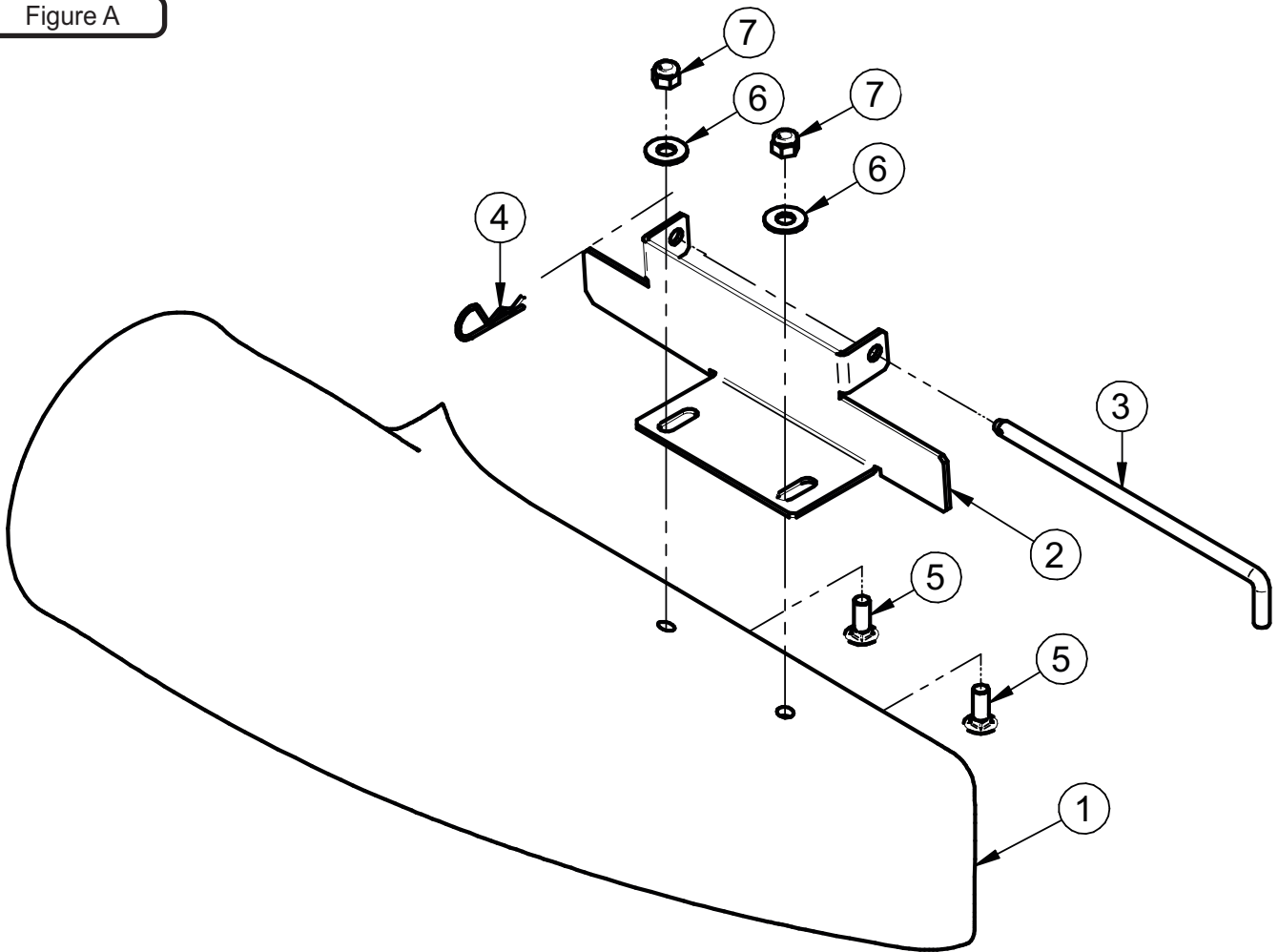
Secure the Boot Plate (Item #2) to the Aluminum Boot (Item #1) using (2) 3/8"-16 x 1" Carriage Bolts (Item #5), (2) 3/8" Flat Washers (Item #6) and (2) 3/8"-16 Nyloc Nuts (Item #7). Insert the Carriage Bolts from the inside of the Boot so the threads are on the top of the Boot. This will prevent grass clippings from collecting on the threads. Leave the hardware loose until the boot plate has been attached to the mower deck. Refer to Figure A.

Align the Boot Plate to the deck plate assembly bushings. Insert Boot Rod (Item #3) through the Boot & Deck Plate Assembly Bushings. Secure the Boot Rod using a Hair Pin Clip (Item #4).

With the Carriage Bolts still loose, adjust the position of the boot so that there is no gap between the mower deck and the Boot.

Tighten all hardware at this time.

Figure A



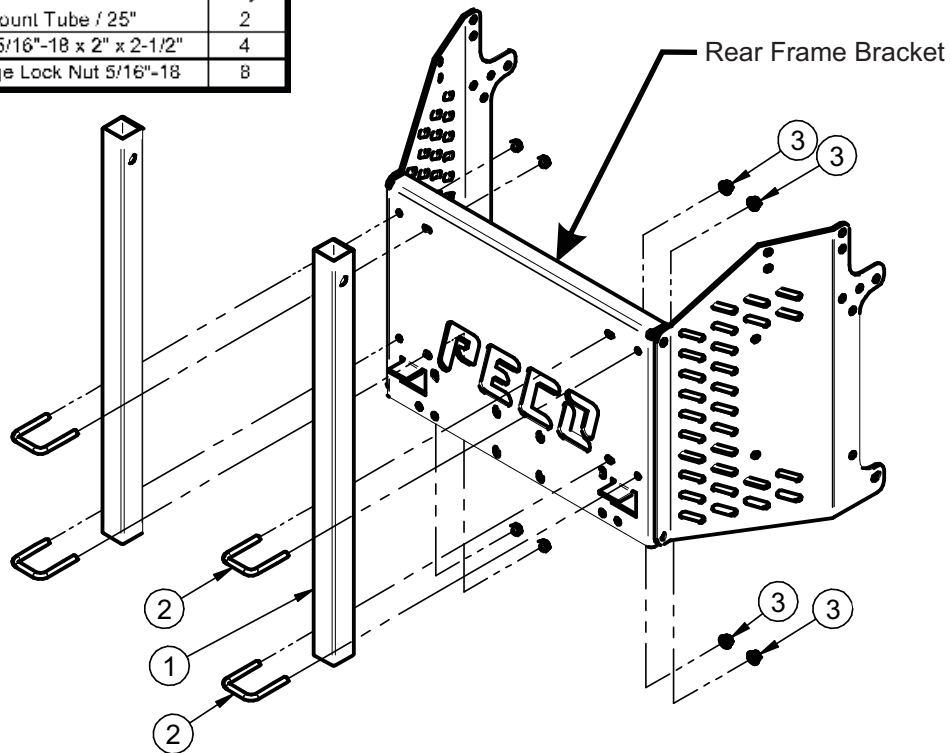
Item #	Part #	Desc.	Qty.
1	E1030	BOOT	1
2	B1062	Boot Plate	1
3	B0288	Boot Rod	1
4	K0099	Hair Pin Clip 3/32"	1
5	K1182	Carriage Bolt 3/8"-16 x 1"	2
6	K0047	Flat Washer 3/8" / 1.00 OD x .446 ID x .075 T	2
7	K1216	Nyloc Nut / 3/8"-16	2

Lower Mount Tube Installation

Secure the (2) Lower Mount Tubes (Item #1) to the Rear Frame Bracket using (2) 5/16"-18 U-Bolts (Item #2) and (4) 5/16"-18 Ny-Flange Lock Nuts (Item #3) PER TUBE. Refer to Figure A.

Figure A

Item #	Part #	Desc.	Qty.
1	B0752	Lower Mount Tube / 25"	2
2	K1098	U-Bolt / 5/16"-18 x 2" x 2-1/2"	4
3	K2516	Ny-Flange Lock Nut 5/16"-18	8

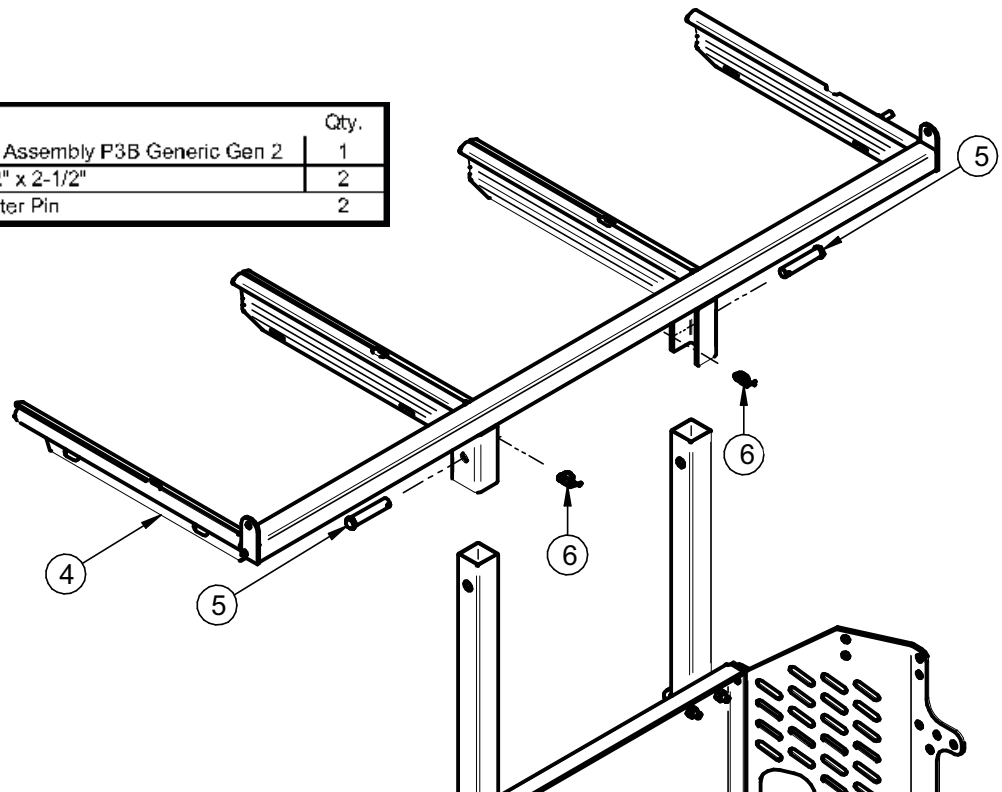


Upper Frame Assembly Installation

Position the Upper Frame Assembly (Item #2) above the Lower mount tubes as shown in Figure A. Slide the Upper Frame Assembly down onto the Lower Mount Tubes and secure using (2) Clevis Pins (Item #5) and (2) Hair Pin Clips (Item #6).

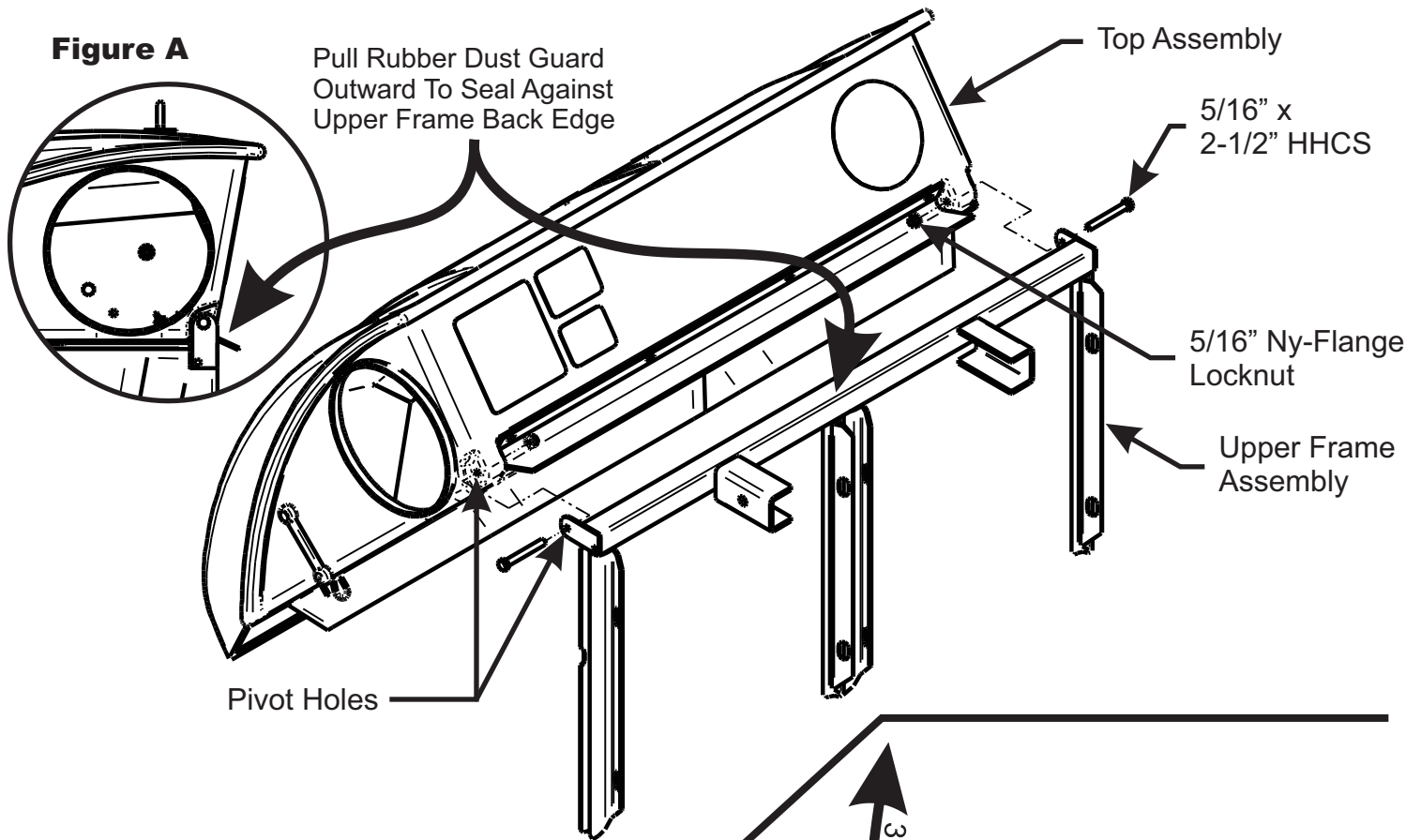
Figure B

Item #	Part #	Desc.	Qty.
4	A2068	Upper Frame Assembly P3B Generic Gen 2	1
5	K0133	Clevis Pin 1/2" x 2-1/2"	2
6	K1437	Rue Ring Cotter Pin	2



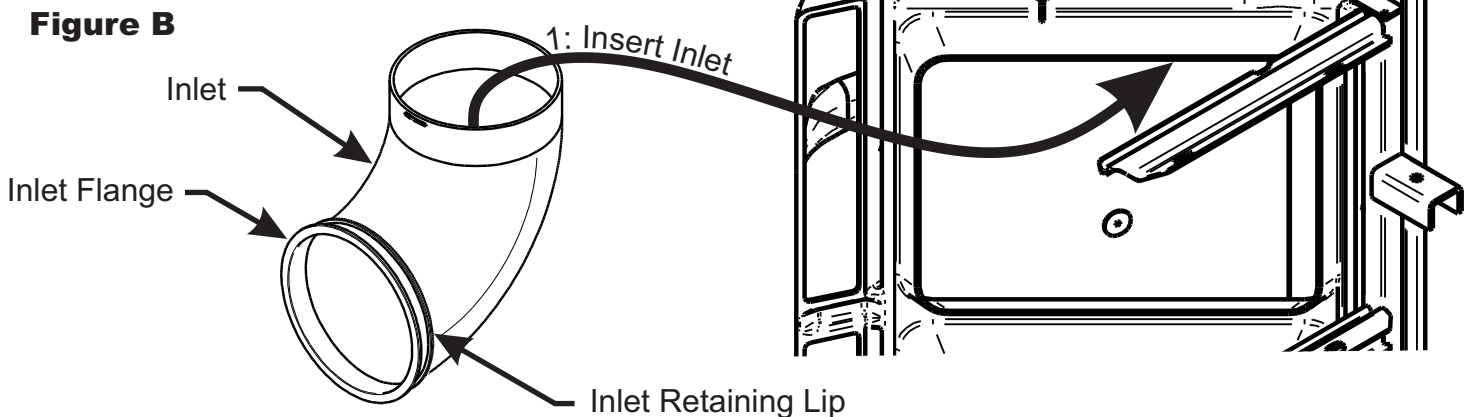
Top Assembly To Upper Frame Assembly Installation

Align the Top Assembly Pivot Holes to the Upper Frame Assembly. See Figure A below. Before fastening, pull Rubber Dust Guard outward to seal against Upper Frame Assembly (towards the mower's operator seat). Fasten the Top Assembly to the Upper Frame Assembly using (2) 5/16"-18 x 2-1/2" HHCS P#(K0125) and (2) 5/16"-18 Ny-Flange Locknuts P#(K2516). Leave the Ny-Flange Locknuts slightly loose to allow the Top Assembly to open and close easily.



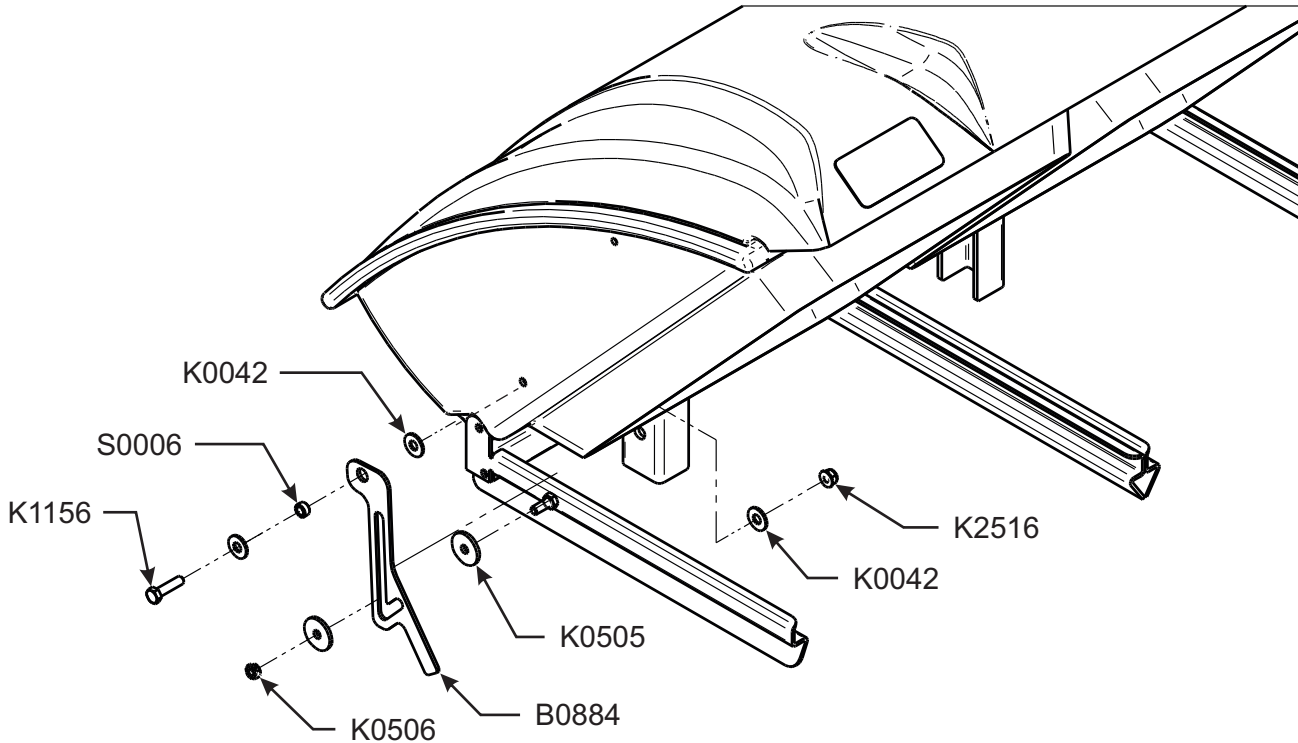
Inlet Installation

Position the Top Assembly on its side with the Inlet Hole facing up. See Figure B. 1: Insert the Inlet from inside the Top Assembly, up through the Inlet Hole, until the Inlet Retaining Lip meets the Inlet Hole. 2: Position the Inlet as shown in Figure B, then pull the Inlet until a portion of the Inlet Retaining Lip protrudes from the Inlet hole. 3: Next, lift the Inlet as shown in Figure B until all of the Inlet Retaining Lip protrudes from the Inlet Hole. Once installed, the Inlet should pivot freely about the Inlet Hole.



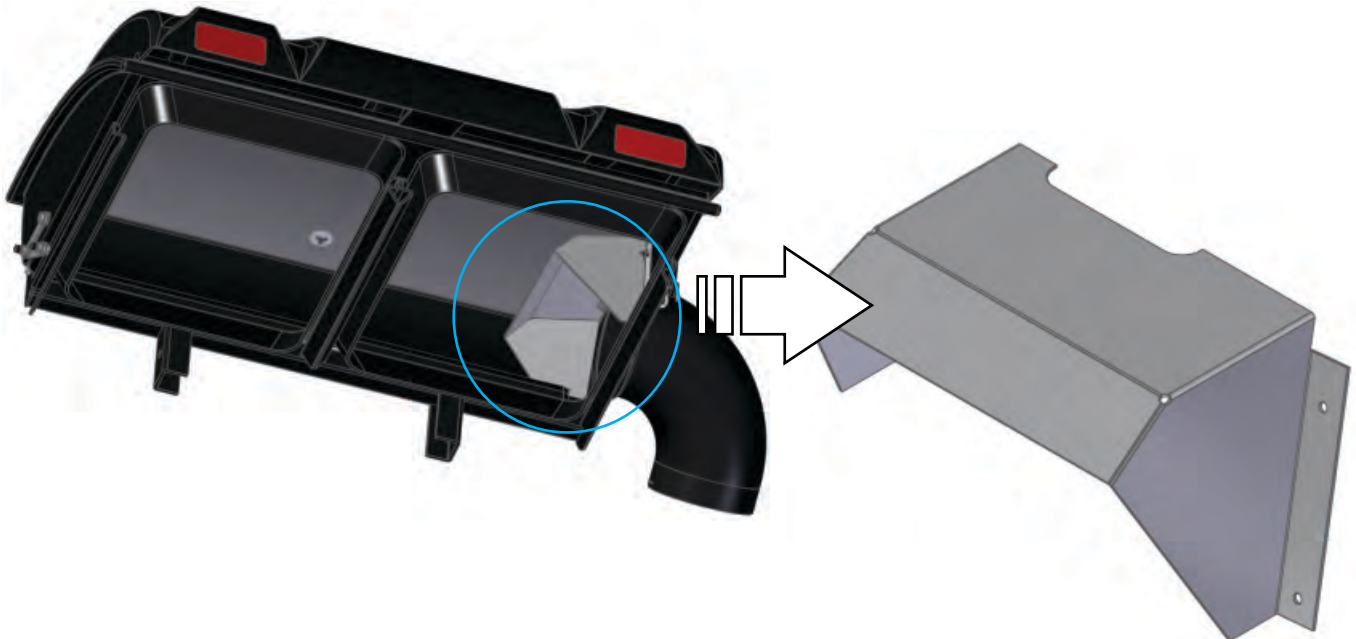
Hinge Kit Assembly Installation

Assemble the Hinge Kit using (1) Latch Plate P#(B0884), (1) 5/16"-18 x 1-1/4" HHCS P#(K1156), (1) 5/16"-18 Ny-Flange Lock Nut P#(K2516), (3) 5/16" Flat Washers P#(K0042), (1) Latch Spacer P#(S0006), (2) Extra Heavy 5/16" Fender Washers P#(K0505) and (1) 5/16"-18 Lock Nut P#(K0506). Leave the nuts loose enough to allow fluid movement of the top when opening and closing. When opened, the top should rest in the Latch Plate Slot.



Even Bag Fill Adjustment

Flap can be adjusted Up/Down depending on mowing conditions. Adjust flap up to allow more dense material to reach left bag. Adjust flap down to allow less dense material to reach the right bag. Once adjusted properly, both bags should fill evenly, but may require further adjusting when mowing conditions change.



Length Of Hose Adjustment

The hoses in the following steps must be cut to fit your machine. Do not cut the hoses until you have tried to fit them on your machine. Remember that the hoses need to be long enough to allow for the opening and closing of the collection system as well as allowing ample clamping surface between each component.

Upper Hose Installation

Slide a Hose Clamp P#(J0060) over one end of the 6" Upper Hose. Secure this end of the 6" Upper Hose to the Blower Outlet. See Figure below for details. Secure opposite end of the 6" Upper Hose to the Inlet. Make sure both ends are securely fastened by tightening the Hose Clamp and rotating the Inlet Snap Fastener towards the hose to lock in place.

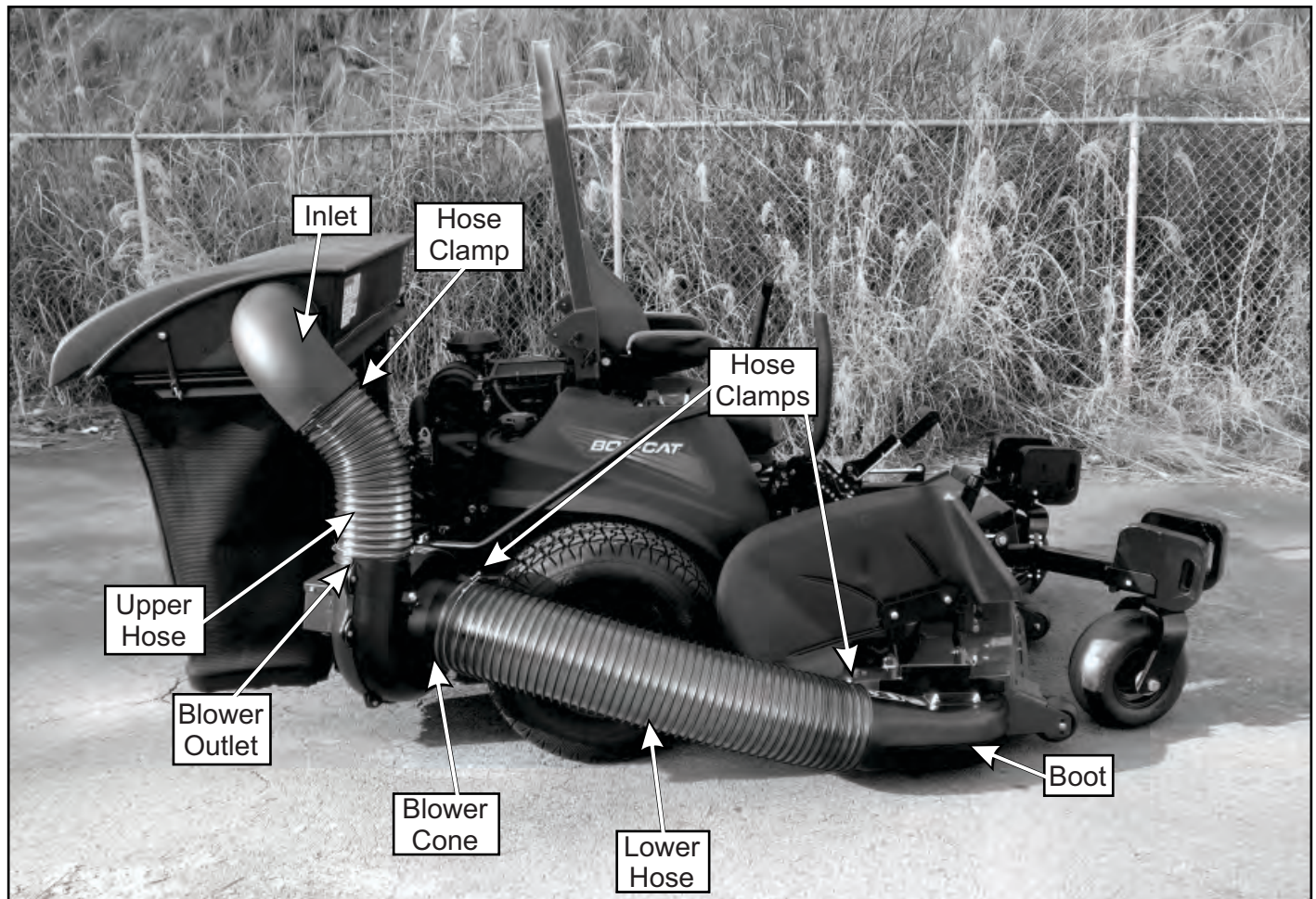
Lower Hose To Blower Cone Installation

Slide a Hose Clamp P#(J0080) over both ends of the Lower Hose. Secure one end of the Lower Hose to the Blower Cone and fasten by tightening the Hose Clamp.

Lower Hose To Boot Installation

Take the unattached end of the Lower Hose and secure it to the circular end of the Boot and fasten by tightening the Hose Clamp.

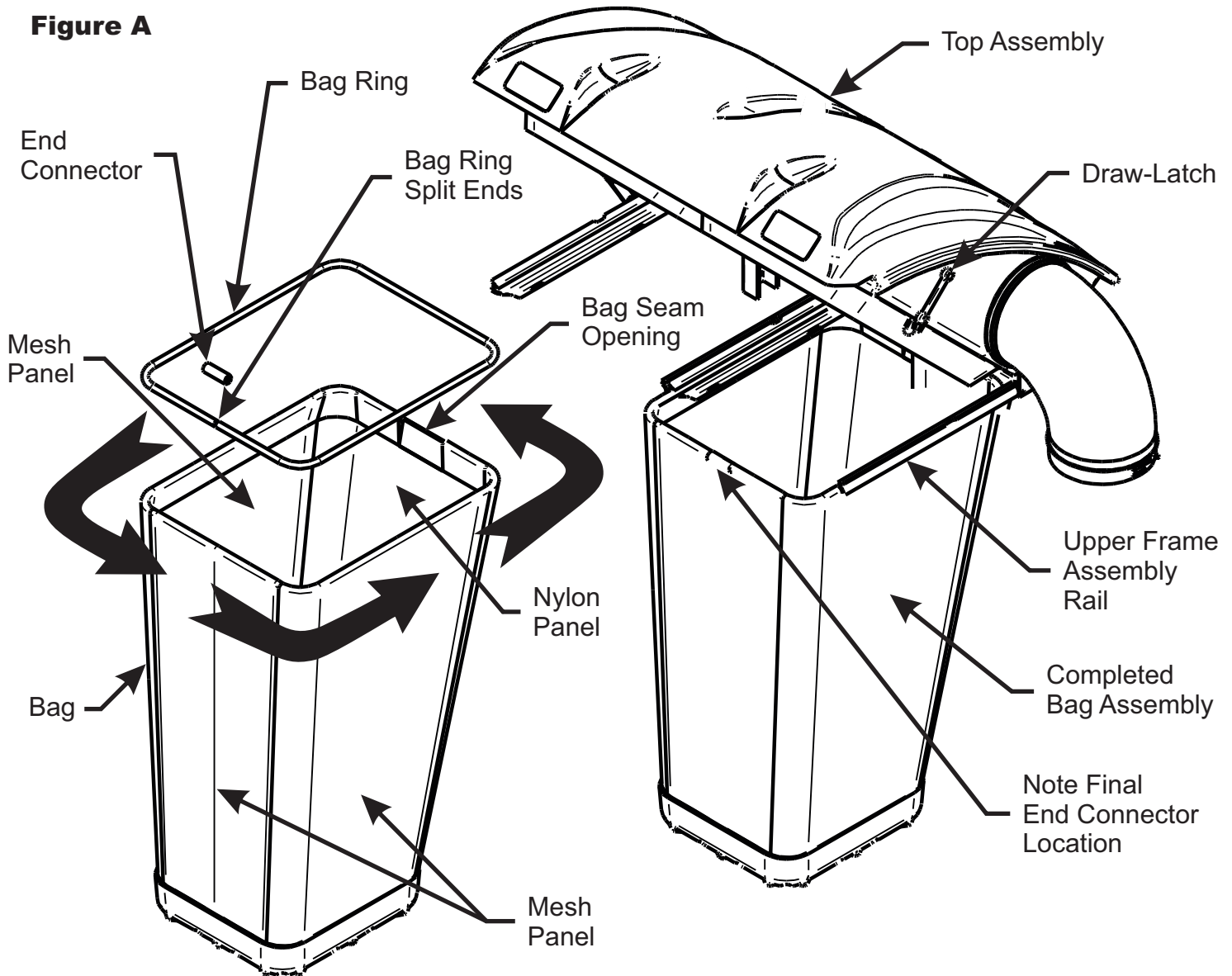
Tip: Before securing Hose Clamp fully, rotate Lower Hose counter-clockwise (away from yourself) approximately 1" to aid in retaining Boot to mower deck.



Bag Assembly

First, take one of the Bag Ring Split Ends and insert it through the Bag Seam Opening. Next, rotate the Bag around the Bag Ring (1) full turn (360 degrees) until the Bag Ring Split Ends and the Bag Seam Opening are positioned on the same side. Then, connect the Bag Ring Split Ends using (1) End Connector. Last, rotate the Bag Ring and the End Connector Assembly (1/2") turn (180 degrees) to position the Connector opposite of the Bag Seam Opening. Note Final End Connector Location below in Figure A. Repeat for each Bag.

Figure A



Bag Assembly Installation

Slide the Completed Bag Assembly into the Upper Frame Assembly Rails and close the Top Assembly. Fasten the Draw-Latch on either side to hold the bagger closed.

Impeller Blade Removal/Replacement

To Remove: First remove the 5/16"-24 x 1" HHCS P#(K0428) (#1), Taper Lock Bushing Washer P#(K0284) (#3), (2) 5/16 Flat Washers P#(K0042) and Spacer Bushing P#(S0159) (#4) from the Taper-Lock Bushing P#(S0157) (#5). Next remove the (2) 1/4"-20 x 1" HHCS (#2) and place them into the threaded holes of the Taper-Lock Bushing (#5). Gradually thread each bolt evenly into the Taper-Lock Bushing, forcing the blade to break-away from the Taper-Lock Bushing. If the Impeller will not move, carefully hit the base of the Impeller, between each vein, with a hammer, then try again.

To Replace: Place Impeller Blade over the engine shaft. Slide the Taper-Lock Bushing (#5) on to the engine shaft and into the Impeller Blade, aligning the **non-threaded** holes of the Taper-Lock Bushing to the threaded holes of the Impeller Blade. Fasten by using (2) 1/4"-20 x 1" HHCS (#2), (1) Spacer Bushing (#4) (1) Taper-Lock Bushing Washer (#3), and (1) 5/16"-24 x 1" HHCS (#1). Torque to the proper specifications in the torque chart on the back of this manual. Next, rotate the Impeller Blade to ensure that the blade is clear of contact on all sides of the blower housing.



Weight Kit Installation

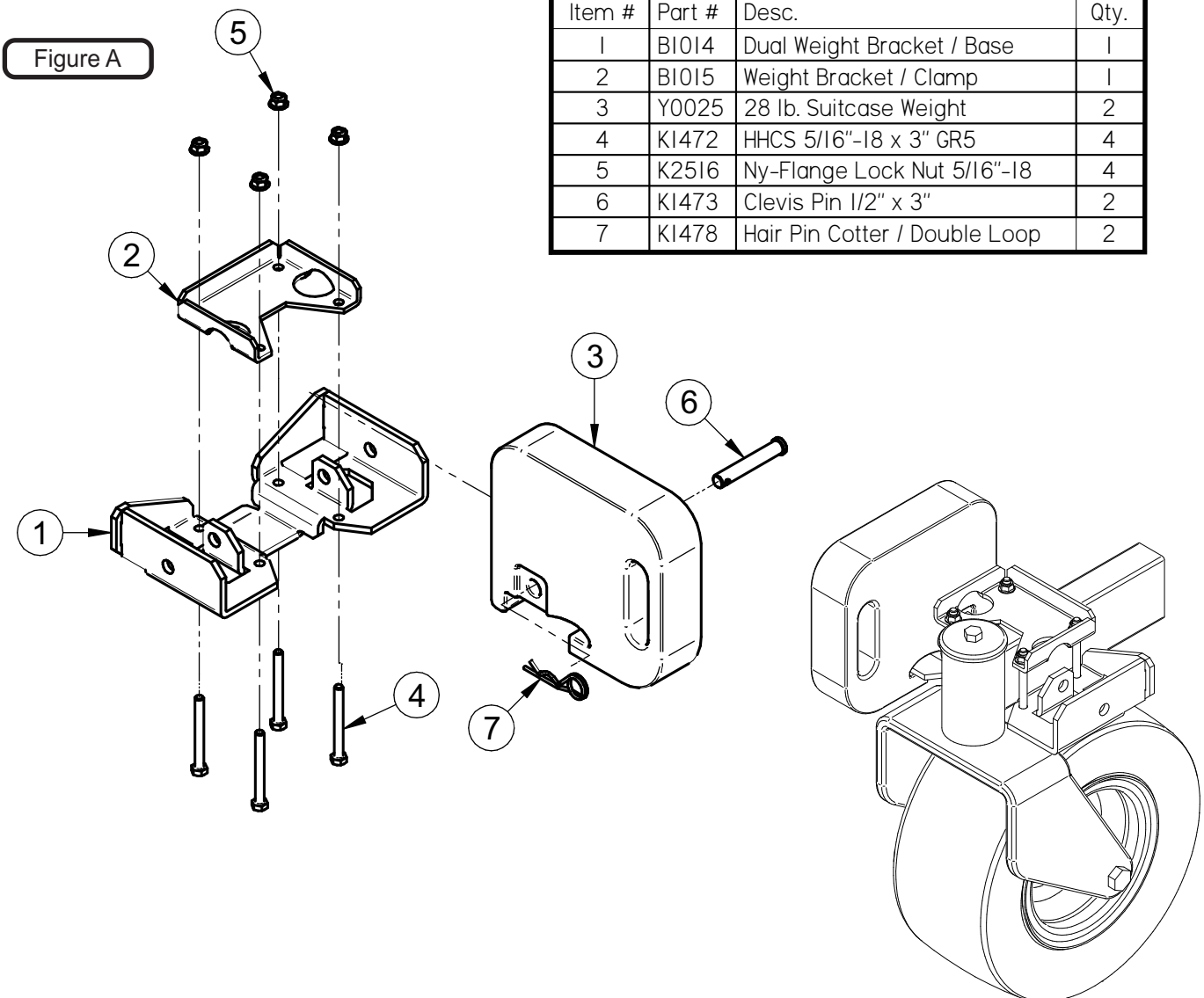
Position the Dual Weight Bracket Base (Item#1) under the caster tubing w/ opening towards caster fork. Next, position the Weight Bracket Clamp (Item#2) on top of caster tubing w/ opening towards caster fork.

Align the (4) holes of the Weight Bracket Clamp (Item#2) to the holes in the Dual Weight Bracket Base (Item#1). Loosely fasten the Weight Bracket Clamp (Item#2) to the Weight Bracket Base (Item#1) using (4) 5/16"-18 x 3" Bolts (Item#4) & (4) 5/16"-18 Ny-Flange Lock Nuts (Item#5).

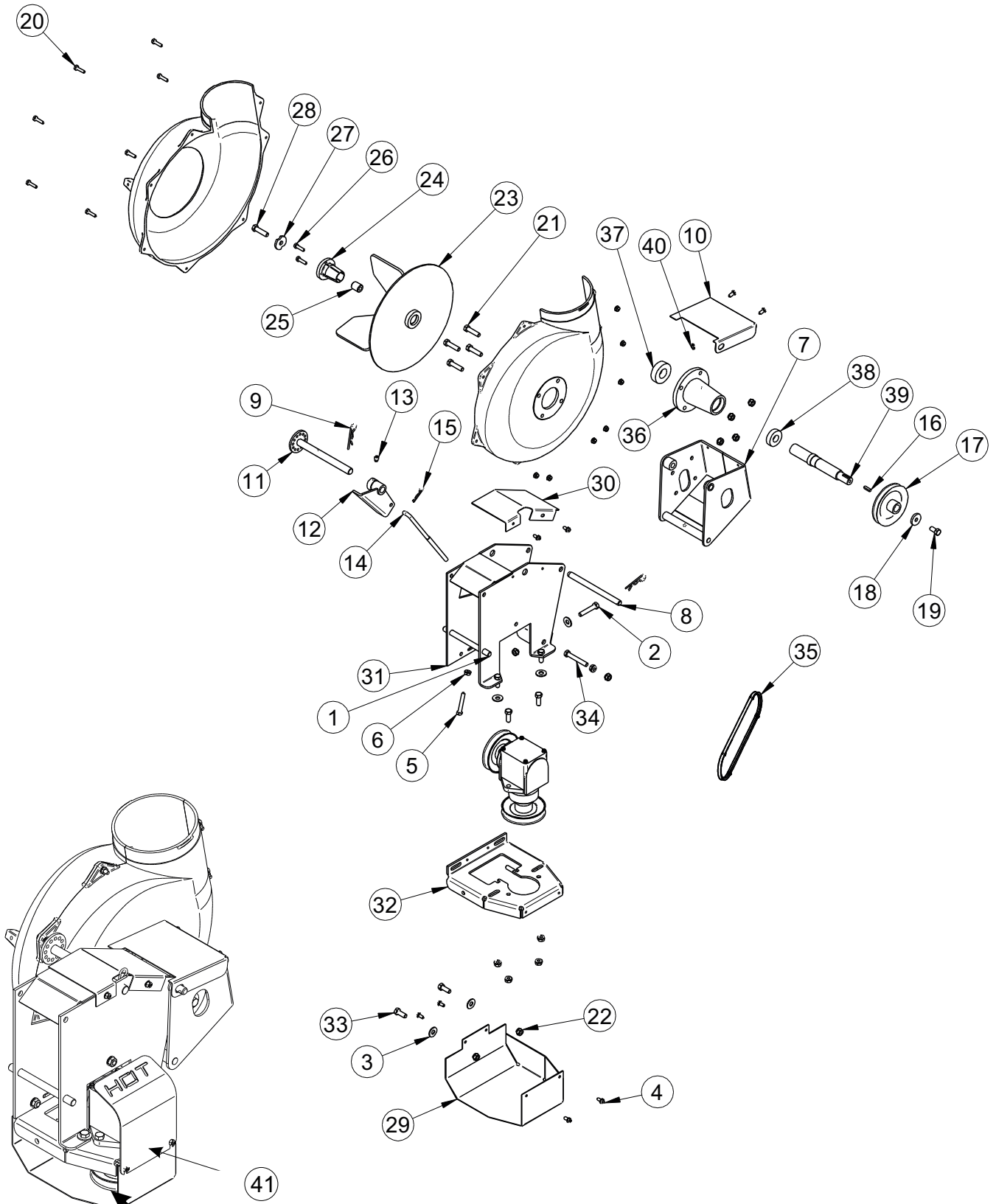
Position the Weight Bracket Base and the Weight Bracket Clamp assembly along the caster tubing to prevent interference from caster forks or any other objects. Tighten the fasteners in an 'X' pattern until assembly is firmly clamped to caster tubing. Do not over tighten which may result in bending Weight Bracket Clamps (Item#3).

Insert (1) Weight (Item#3) Into the Weight Bracket Base (Item#2) & align the holes of the Weight w/ the holes of the Weight Bracket Base (Item#2). Fasten the Weight (Item#1) to the Weight Bracket Base Using (1) Clevis Pin (Item#6) & (1) Hair Pin Clip (Item#7) per weight.

Repeat on additional caster. Refer to the Figure Below.



A1950 PTO Assembly Exploded Parts View

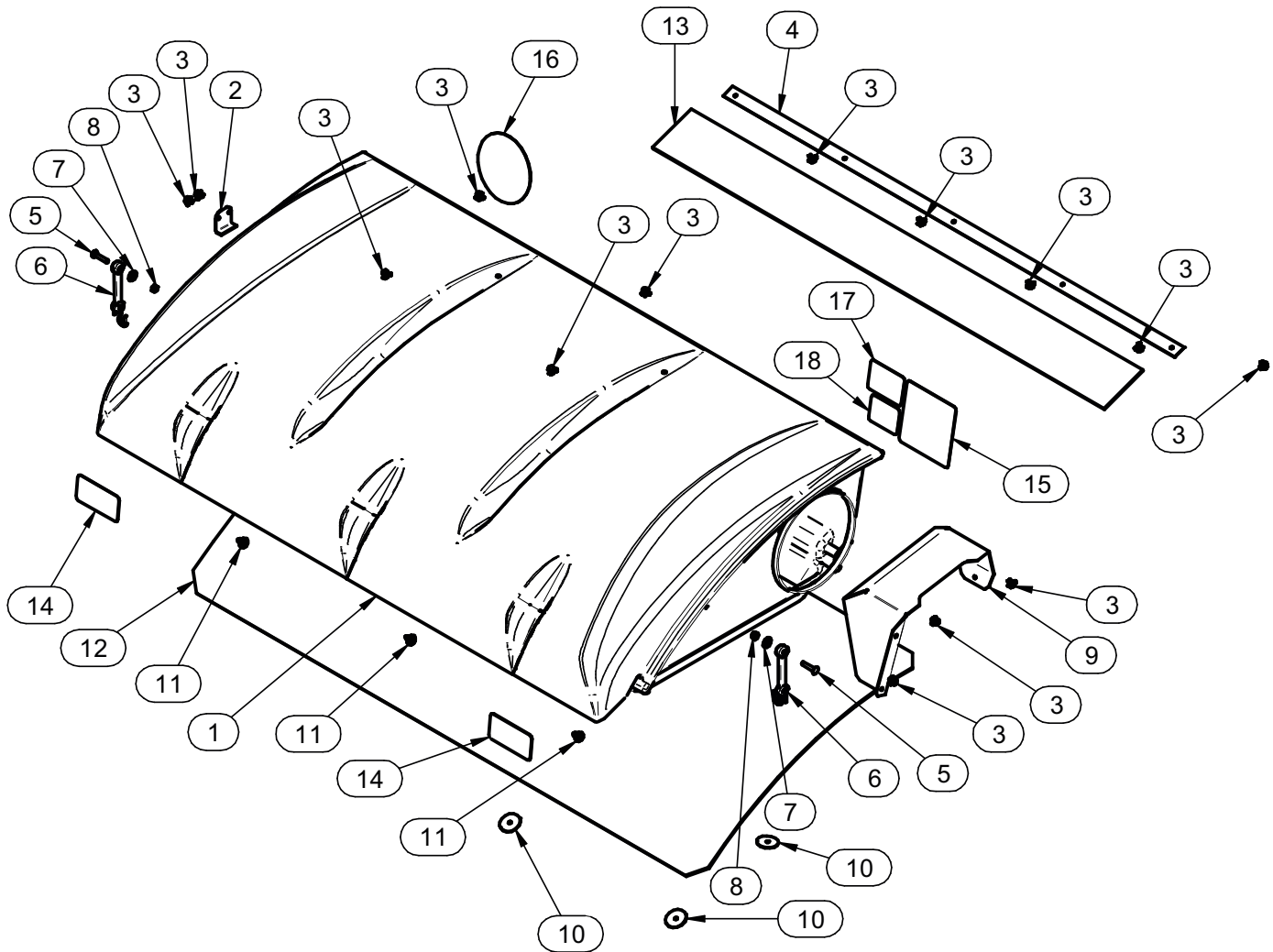


M0256
A57K BELT
(INCLUDED IN H.W. BAG)

A1950 PTO Parts List

Item Number	Document Number	Title	Quantity
1	A0429	GEAR BOX ASSEMBLY	1
2	K0348	3/8"-16 x 2" ALL THREAD HHCS	1
3	K0047	3/8" FLAT WASHER 1.00 OD x .446 ID x .075 T	5
4	K0353	1/4"-20 x 1/2" HHSTS	8
5	K1159	5/16"-18 x 2" ALL THREAD HHCS	1
6	K1178	5/16"-18 FLANGE NUT	1
7	A0144	BLOWER MOUNT BRACKET ASSEMBLY	1
8	B1755	BLOWER PIVOT ROD	1
9	K0086	.125 OD x 2.50 HAIR PIN CLIP	2
10	B0121	BLOWER BELT GUARD	1
11	A0604	PTO HANDLE MOUNT ASSY	1
12	A0422	CAM BRACKET ASSEMBLY	1
13	K0356	3/8"-16 TAPERED SET SCREW	1
14	K0326	BELT TENSION ROD 3/8"-16	1
15	K0130	.091 OD x 1.625 L HAIR PIN CLIP	1
16	J0254	3/16" SQ. x 3/4" LONG KEYWAY	1
17	M0228	BLOWER PULLEY	1
18	K1446	1.187 OD x .380 ID x .187 WASHER	1
19	K1190	3/8"-16 x 3/4" HHCS	1
20	E4004A	BLOWER HSG. ASSY.	1
21	K1193	3/8"-16 x 1-1/2" HHCS	4
22	K1215	3/8"-16 FLANGE NUT	12
23	A0645	SMALL 4-BLADE IMPELLER	1
24	S4302	TAPER-LOCK BUSHING	1
25	S3242	PLATED BUSHING	1
26	K1225	1/4"-20 X 1" HHCS GRADE 8	2
27	K0278	TAPER-LOCK BUSHING WASHER	1
28	K1211	3/8"-16 x 1-1/2" HHCS GRADE 8	1
29	B0269	GEAR BOX PULLEY GUARD	1
30	B0270	PTO ARM GUARD	1
31	A0622	PTO ARM ASSY.	1
32	A0624	BASE PLATE ASSY.	1
33	K1191	3/8"-16 x 1" HHCS	6
34	K1197	3/8"-16 X 2 1/2" HHCS	1
35	M0250	A30K KEVLAR BELT	1
36	E0121	PTO SHAFT HOUSING	1
37	N0147	BEARING 2.0472 OD, 0.9843 ID, 0.5906 W (6205RS PEER)	1
38	N0148	BEARING 1.625 OD, 0.75 ID, 0.4375 W (9R12 PEER)	1
39	B1758	PTO SHAFT	1
40	J0801	1/4"-28 ZIRC FITTING	1
41	B0833	GEAR BOX HEAT GUARD	1

A1157 Top Assembly Exploded Parts View



Item #	Part #	Desc.	Qty.
1	V0022	Pro 3 Bagger Top	1
2	B0676	Hinge Stop Pl.	1
3	K0114	Black Plastic Rivet	14
4	C0069	Dust Guard Brace	1
5	K1030	1/4"-20 x 1-1/4" Carriage Bolt	2
6	J4009	Short Rubber Strap w/ S-Hook	2
7	K0037	Flat Washer / 1/4" (.75 OD x .312 ID x .060 T)	2
8	K1128	1/4"-20 Nyloc Nut	2
9	C0026	Grass Deflector	1
10	K0062	Fender Washer / .230 ID x 1.500 OD / Zinc	4
11	K1265	Black Panel Retainer	3
12	V1120	Black Plastic Screen	1
13	V1118	Dust Guard	1
14	R1057	Decal / 2" x 4" Red Reflector	2
15	R1069	Decal / Warning - Turn Off Blower	1
16	R0022	Decal / Built In The USA / Lg	1
17	R1054	Decal / Important Check Hoses	1
18	R1051	Decal / Warning - Use Hearing Protection	1



Unit Model #: 23131507

Mower & Type: Bob-Cat Predator Pro RS

Owner's Manual: Q0528

Mower Model: 942545

Deck Size: 61"

Vac Type: 15 Cu. Ft. Pro 3 Bagger

Deck Type: DuraDeck

Drive Type: PTO Drive

Revision #: 0

Fits Year(s): 2018 - Newer

A2171 Vac Kit

- (1) A1157 Top Assy.
- (1) A2068 Upper Frame Assy.
- (2) J0060 6" Hose Clamps
- (1) V0025 6" & 7" Plastic Inlet
- (1) F0060-25 6" x 25" UPPER HOSE
- (1) HB0718 Hardware Bag
- (3) B0227 Bag Ring
- (3) G0003 4.0 Cu. Ft. Collection Bags
- (2) B0752 Lwr. Mnt. Tube

A1886 Mount Kit

- (1) M0256 A57K - 59" Kevlar Cord Belt
- (1) HB0498 Engine Pulley Hardware Bag
- (1) HB0497 Mount Kit Hardware Bag
- (1) F0080-41 8" x 41" Lower Hose
- (2) J0080 8" Hose Clamps
- (1) B0728 Rear Frame Brkt.
- (1) B0785 Rt. Frame Bracket
- (1) B0787 Rt. PTO Mnt. Pl.
- (1) B0786 Lt. Frame Brkt.
- (1) B0788 Lt. PTO Mnt. Pl.
- (1) A1950 PTO Assembly
- (1) E6009 8" Blower Cone
- (1) A1142 PTO Handle Assembly

A2174 Boot Kit

- (1) B1062 Boot Plate
- (1) E1030 Boot
- (1) B0288 Boot Rod
- (1) HB0393 Hardware Bag

A2121 Dual Weight Kit / Single Caster

- (2) Y0025 28 lb. Weight
- (1) B1015 Weight Bracket
- (1) B1014 Dual Weight Bracket Base
- (1) HB0687 Hardware Bag

A2121 Dual Weight Kit / Single Caster

- (2) Y0025 28 lb. Weight
- (1) B1015 Weight Bracket
- (1) B1014 Dual Weight Bracket Base
- (1) HB0687 Hardware Bag



Unit Model #: 23131508

Mower & Type: Bob-Cat Predator Pro RS

Mower Model: 942545

Deck Size: 61"

Deck Type: DuraDeck

Revision #: 0

Owner's Manual: Q0528

Vac Type: 15 Cu. Ft. Pro 3 Bagger

Drive Type: Briggs & Stratton 900 Series

Fits Year(s): 2018 - Newer

<p><input type="checkbox"/> A2171 Vac Kit</p>	<p><input type="checkbox"/> A2175 Mount Kit</p>	<p><input type="checkbox"/> A2174 Boot Kit</p>	<p><input type="checkbox"/> A2121 Dual Weight Kit / Single Caster</p>
<p><input type="checkbox"/> A0619 Throttle Kit</p>		<p><input type="checkbox"/> A2121 Dual Weight Kit / Single Caster</p>	



Unit Model #: 23131509

Mower & Type: Bob-Cat Predator Pro RS

Mower Model: 942545

Deck Size: 61"

Deck Type: DuraDeck

Revision #: 0

Owner's Manual: Q0528

Vac Type: 15 Cu. Ft. Pro 3 Bagger

Drive Type: Briggs & Stratton 6.5HP Vanguard

Fits Year(s): 2018 - Newer

<p><input type="checkbox"/> A2171 Vac Kit</p> <p>(1) A1157 Top Assy.</p> <p>(2) J0060 6" Hose Clamps</p> <p>(1) V0025 6" & 7" Plastic Inlet</p> <p>(1) A2068 Upper Frame Assy.</p> <p>(1) HB0718 Hardware Bag</p> <p>(3) B0227 Bag Ring</p> <p>(3) G0003 4.0 Cu. Ft. Collection Bags</p> <p>(2) B0752 Lwr. Mnt. Tube</p> <p>(1) F0060-25 6" x 25" UPPER HOSE</p>	<p><input type="checkbox"/> A2176 Mount Kit</p> <p>(1) F0080 8" x 41" Lower Hose</p> <p>(1) A1824 Engine Mnt. Arm Assy.</p> <p>(1) B3727 Outer Engine Mount Tube</p> <p>(1) E6009 8" Blower Cone</p> <p>(1) B0728 Rear Frame Brkt.</p> <p>(1) B0785 Rt. Frame Bracket</p> <p>(1) B0786 Lt. Frame Brkt.</p> <p>(2) J0080 8" Hose Clamps</p> <p>(1) HB0719 Mount Kit Hardware Bag</p>	<p><input type="checkbox"/> A2174 Boot Kit</p> <p>(1) B1062 Boot Plate</p> <p>(1) E1030 Boot</p> <p>(1) B0288 Boot Rod</p> <p>(1) HB0393 Hardware Bag</p>	<p><input type="checkbox"/> A2121 Dual Weight Kit / Single Caster</p> <p>(1) Y0025 28 lb. Weight</p> <p>(2) Y0025 28 lb. Weight</p> <p>(1) B1015 Weight Bracket</p> <p>(1) B1014 Dual Weight Bracket Base</p> <p>(1) HB0687 Hardware Bag</p>	<p><input type="checkbox"/> A2121 Dual Weight Kit / Single Caster</p> <p>(1) Y0025 28 lb. Weight</p> <p>(2) Y0025 28 lb. Weight</p> <p>(1) B1015 Weight Bracket</p> <p>(1) B1014 Dual Weight Bracket Base</p> <p>(1) HB0687 Hardware Bag</p>
<p><input type="checkbox"/> A0619 Throttle Kit</p> <p>(1) A0666 Throttle Mnt. Pl. Assy.</p> <p>(1) A0060 70" Throttle</p> <p>(1) HB0249 Hardware Bag</p> <p>(1) A639 Engine/Blower Blade Assembly</p>				

SAFETY DECALS

To promote safe operation, New PECO, Inc. supplies safety decals on all products manufactured. Damage can occur to safety decals either through shipment, use or reconditioning. Contact your local Service Center for replacement decals.



Part# R1070
PECO Logo



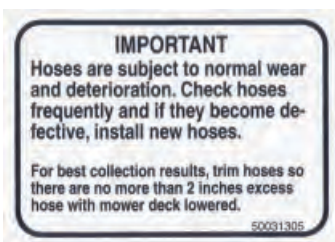
Part# R0022
Designed & Built
In The USA



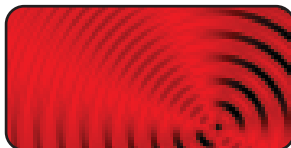
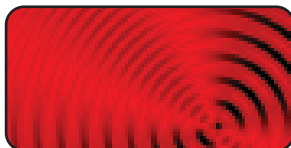
Part #: R2007
Danger - Never Use Hands



Part #: R2008
Danger - Rotating Blades



Part #: R1054
Important - Hose Wear



Part #: R1057 - (2)
Red Reflectors



Part #: R1069
Warning - Turn Off Blower



Part # R0024
Danger - Keep Hands
Clear



Part #: R1051
Warning - Hearing Protection



Part # R0025
Danger - Rotating
Blades

SECTION III OPERATING INSTRUCTIONS

General Safety

Only qualified people familiar with this operator's manual and the mower's operator's manual should operate this machine.

Operation And Tips On Mowing

- A. Perform BEFORE EACH USE the maintenance list referenced in Section IV.
- B. Start mower.
- C. With the mower at high idle speed, engage the mower deck.
- D. While seated in the operator's seat, move Bagger PTO switch to the on position. With the PTO assembly engaged, you can proceed to operate the control levers of the mower.

NOTE: If the collection system does not appear to be collecting the grass clippings, disengage the deck and PTO assembly, then, engage the parking brake and turn the mower off. Check upper and lower hoses for any clogs.

To obtain the maximum effectiveness from your collection system, the tips listed below should be followed:

- * Watch your speed- Normal conditions will allow a speed of up to approximately 4 mph, but thick, heavy damp conditions will require reduced ground speed.
- * Mow with sharp blades- A sharp blade cuts cleaner.
- * Wet grass and leaves will decrease effectiveness and will increase horsepower requirements.
- * Mow at higher cutting heights- Remove and mulch no more than 2" of grass length with each mowing. (Experts recommend not cutting off more than 1/3 of the grass blade length at any given time.)
- * Mow twice, at different height settings, (high, then low), if grass is extra tall.
- * Remember that horsepower requirements will vary with the mowing conditions such as type and height of turf grass, moisture content, amount of leaves, whether the terrain is flat or hilly, etc.

Disengagement Of The PTO Assembly

- A. To disengage the PTO assembly, move Bagger PTO switch to the off position.

WARNING: The PTO assembly blades will continue to spin. DO NOT TOUCH the PTO assembly, pulleys, or the belt until the tractor is turned off. DO NOT adjust the belt tension until the mower is turned off. Refer to the Belt Installation section of the manual.

Unloading The Collection System

NOTE: To determine when the collection bags are full, follow the following steps:

- A. Stop the forward movement of the mower.
- B. Disengage the mower deck.
- C. Disengage the PTO assembly.
- D. Engage the parking brake.
- E. Once the parking brake has been engaged, then and only then, walk behind the mower and check the collection bags by first unhooking the rubber strap with S-hook that secures the plastic top, then lift the plastic hood. Load in bags should not exceed the height of the installed bag.
- F. To remove the bags from the frame, slide bags out and turn bags over to deposit clippings.
- G. Slide empty bags back onto the frame and secure plastic top with the rubber strap with S-hook.

NOTE: Do not allow collection bags to become over-filled as potential damage may occur to your equipment. Also, be sure to clean the hood screen as needed.

SECTION IV MAINTENANCE

Maintenance Checklist

Before each use:

1. Check blades and spindles to be sure that no foreign objects, such as wire or steel strapping bands, are wrapped around them.
2. Inspect blades for wear. Replace if necessary. If it is necessary to sharpen the blades, remove the blades from the spindles before sharpening. DO NOT sharpen blades while still attached to the mower.

3. Make sure all shields are in place and in good condition. Repair or replace any missing or damaged shields.
4. Perform lubrication per instructions.
5. Listen for abnormal sounds, which might indicate loose parts, damaged bearings, or other damage. Correct any deficiency before continuing operation.
6. With the engine off, engage the blower assembly. Check the belt tension and inspect the pulley belt for cracks or tears.
7. Check for wear or deterioration of the upper or lower hoses. If there are any portions of the hose that have been torn or worn through, replace immediately.

After Each Use:

1. Clean all debris from machine especially from the container, underneath the belt shields, and safety decals. Replace any missing or illegible decals.
2. Inspect the unit for worn or damaged components. Repair or replace before the next use. Any replacement component installed during repair shall include the component's current safety decal specified by the manufacturers to be affixed to the component.
3. Under normal usage, the bag material is subject to deterioration and wear and should therefore be frequently checked for necessary replacement. Any replacement bag should be checked to ensure compliance with the original manufacturer's recommendations or specifications.
4. Check belt for proper tension.

Lubrication

Gearbox:

1. Every 20 hours of use: Check oil levels in gearbox.
2. First 60 hours of use: Change oil.
3. Every 100 hours of use: Change oil.

NOTE: Oil in gearbox should cover the gears. If not, drain the gearbox and fill using an 80W-90 gear oil. The gearbox ships with 6.0 oz. of oil, but we recommend replacing with a measured 5.5 oz. to fill the gearbox. **DO NOT OVERFILL!**

Blower Assembly:

NOTE: The following is for older PTO models that contain a greaseable zerc fitting. Newer models contain maintenance-free bearings and are without a greasable fitting.

1. On initial use: Grease the fitting on the blower shaft.
2. Every 25 hours of use: Re-grease the grease fitting.

NOTE: Use only white lithium based grease for lubrication of the shaft on the blower assembly.

SECTION V - PARTS & SERVICE

Parts And Service Information

Collection system owners should record the name and telephone number of their Service Center. Your Service Center will be happy to supply replacement parts, accessories, and do any service or repairs to your collection system. If for any reason your Service Center is unable to service your collection system or supply replacement parts, contact New PECO, Inc. and include the following information on the chart below.

DOCUMENT THE FOLLOWING INFORMATION FOR FUTURE REFERENCE

Unit Model Number: _____

Unit Engine Size: _____

Unit Serial Number: _____

Date of purchase: ____ / ____ / ____

Dealer/Distributor Name: _____

Address: _____ **State:** _____ **Zip:** _____

Phone Number: _____

New PECO, Inc.

10 Walden Dr | Arden, North Carolina 28704

Phone: 1-800-438-5823 | 828-684-1234

Fax: 828-684-0858

Email: peco@lawnvac.com

Website: www.lawnvac.com

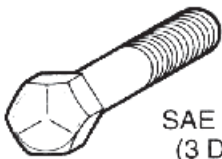
TORQUE SPECIFICATIONS

Proper torque for American fasteners used on PECO equipment.
Recommended Torque in Foot Pounds (Newton Meters).*

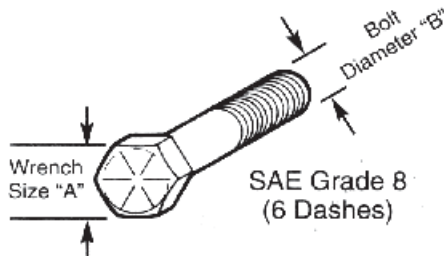
AMERICAN Bolt Head Markings



SAE Grade 2
(No Dashes)



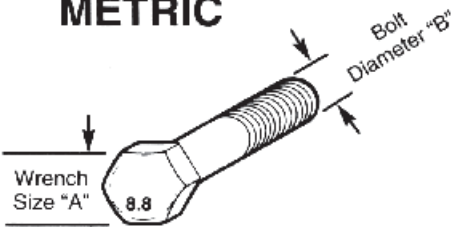
SAE Grade 5
(3 Dashes)



SAE Grade 8
(6 Dashes)

WRENCH SIZE (IN.) "A"	BOLT DIAMETER (IN.) "B" AND THREAD SIZE	SAE GRADE 2	SAE GRADE 5	SAE GRADE 8
7/16	1/4 - 20 UNC	6 (7)	8 (11)	12 (16)
7/16	1/4 - 28 UNF	6 (8)	10 (13)	14 (18)
1/2	5/16 - 18 UNC	11 (15)	17 (23)	25 (33)
1/2	5/16 - 24 UNF	13 (17)	19 (26)	27 (37)
9/16	3/8 - 16 UNC	20 (27)	31 (42)	44 (60)
9/16	3/8 - 24 UNF	23 (31)	35 (47)	49 (66)
5/8	7/16 - 14 UNC	32 (43)	49 (66)	70 (95)
5/8	7/16 - 20 UNF	36 (49)	55 (75)	78 (106)
3/4	1/2 - 13 UNC	49 (66)	76 (103)	106 (144)
3/4	1/2 - 20 UNF	55 (75)	85 (115)	120 (163)
7/8	9/16 - 12 UNC	70 (95)	109 (148)	153 (207)
7/8	9/16 - 18 UNF	79 (107)	122 (165)	172 (233)
15/16	5/8 - 11 UNC	97 (131)	150 (203)	212 (287)
15/16	5/8 - 18 UNF	110 (149)	170 (230)	240 (325)
1-1/8	3/4 - 10 UNC	144 (195)	266 (360)	376 (509)
1-1/8	3/4 - 16 UNF	192 (260)	297 (402)	420 (569)
1-5/16	7/8 - 9 UNC	166 (225)	430 (583)	606 (821)
1-5/16	7/8 - 14 UNF	184 (249)	474 (642)	668 (905)
1-1/2	1 - 8 UNC	250 (339)	644 (873)	909 (1232)
1-1/2	1 - 12 UNF	274 (371)	705 (955)	995 (1348)
1-1/2	1 - 14 UNF	280 (379)	721 (977)	1019 (1381)
1-11/16	1-1/8 - 7 UNC	354 (480)	795 (1077)	1288(1745)
1-11/16	1-1/8 - 12 UNF	397 (538)	890 (1206)	1444 (1957)
1-7/8	1-1/4 - 7 UNC	500 (678)	1120 (1518)	1817 (2462)
1-7/8	1-1/4 - 12 UNF	553 (749)	1241 (1682)	2013 (2728)
2-1/16	1-3/8 - 6 UNC	655 (887)	1470 (1992)	2382 (3228)
2-1/16	1-3/8 - 12 UNF	746 (1011)	1672 (2266)	2712 (3675)
2-1/4	1-1/2 - 6 UNC	870 (1179)	1950 (2642)	3161 (4283)
2-1/4	1-1/2 - 12 UNF	979 (1327)	2194 (2973)	3557 (4820)

METRIC



Numbers appearing on bolt heads indicate ASTM class.

Proper torque for metric fasteners used on PECO equipment.
Recommended torque in foot pounds (newton Meters).*

WRENCH SIZE (mm) "A"	BOLT DIA. (mm) "B"	ASTM 4.6	ASTM 8.8	ASTM 9.8	ASTM 10.9
8	5	1.8 (2.4)		5.1 (6.9)	6.5 (8.8)
10	6	3 (4)		8.7 (12)	11.1 (15)
13	8	7.3 (10)		21.1 (29)	27 (37)
16	10	14.5 (20)		42 (57)	53 (72)
18	12	25 (34)	74 (100)	73 (99)	93 (126)
21	14	40 (54)	118 (160)	116 (157)	148 (201)
24	16	62 (84)	167 (226)	181 (245)	230 (312)
30	20	122 (165)	325 (440)		449 (608)
33	22		443 (600)		611 (828)
36	24	211 (286)	563 (763)		778 (1054)
41	27		821 (1112)		1138 (1542)
46	30	418 (568)	1119 (1516)		1547 (2096)

*Use 75% of the specified torque value for plated fasteners. Use 85% of the specified torque values for lubricated fasteners.

Troubleshooting

2017 (v1.0)

Collection System Performance

Problem	Possible Cause	Corrective Action
Abnormal Vibration	<ul style="list-style-type: none"> • Cutting blades are bent or unbalanced • Loose blower pulley or pulley assembly • Impeller blade out of balance 	<ul style="list-style-type: none"> • Install new cutting blade • Tighten the pulley • Contact dealer to replace
Reduced collection system performance	<ul style="list-style-type: none"> • Low engine speed • Plugged screen • Loose belt • Full collection bags 	<ul style="list-style-type: none"> • Always operate collection system at full throttle • Remove debris, leaves, or grass clippings from the screen • Replace/tighten belt • Empty the collection bags
Blower and hoses plugging too frequently	<ul style="list-style-type: none"> • Collection bags are too full • Low engine speed • Grass is too wet • Grass is too long • Ground speed is too fast • Worn belt • Loose belt 	<ul style="list-style-type: none"> • Dump more frequently • Always operate collection system at full throttle • Cut grass when it is dry • Cut the grass several times • Drive slower at full throttle • Replace belt • Adjust the pulley and tighten belts
Debris blowout	<ul style="list-style-type: none"> • Collection bags are too full • Plug/clog in the collection system • Ground speed is too fast 	<ul style="list-style-type: none"> • Dump more frequently • Clean the collection system • Drive more slowly at full throttle
Impeller doesn't rotate freely	<ul style="list-style-type: none"> • Plug in the blower housing • Worn impeller blade • Shaft bearings bad/failing 	<ul style="list-style-type: none"> • Clean the blower housing • Contact dealer to replace • Contact dealer to replace

NOTES



New PECO, Inc.
10 Walden Dr | Arden, North Carolina 28704
Phone: 1-800-438-5823 | 828-684-1234
Fax: 828-684-0858
Email: peco@lawnvac.com
Website: www.lawnvac.com