



**Unit Model #: 49131501 (629GZ-001A)**

**Mower/Type:** Country Clipper / Charger & Challenger

**Owner's Manual:** Q0469

**Engine Type:** Kawasaki FS730V, Kawasaki FX801V, Kohler 27HP & Briggs & Stratton 30HP

**Deck Size:** 52" & 60"

**Vac Type:** 15 Cubic Foot Pro 3 Bagger

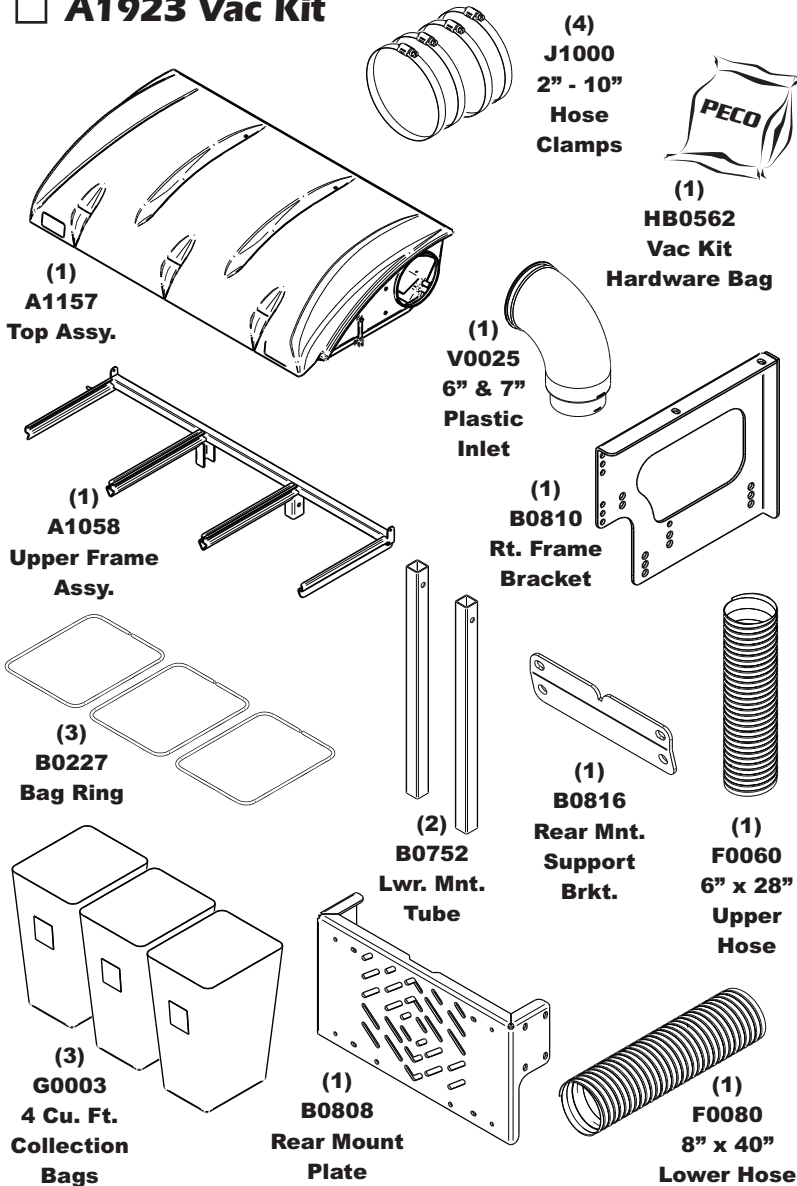
**Deck Type:**

**Drive Type:** PTO (4-Blade)

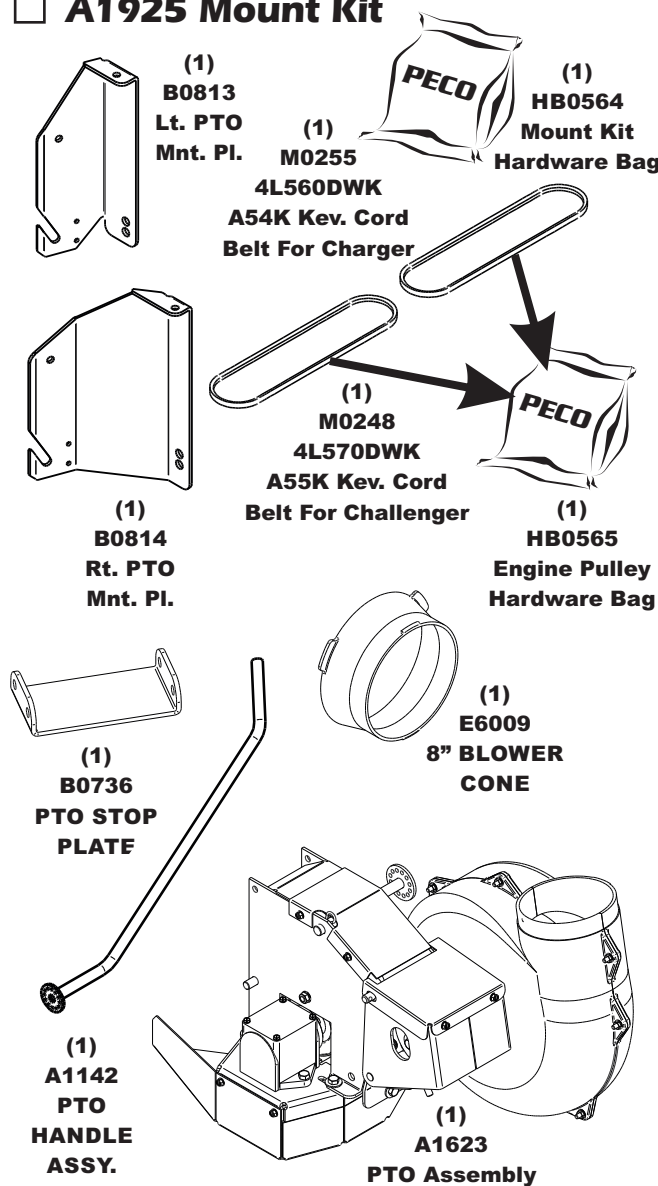
**Revision #:** 3.1 - Updated Model Year - 9/6/2017

**Fits Year(s):** 2013-2018 Charger & 2013-2017 Challenger

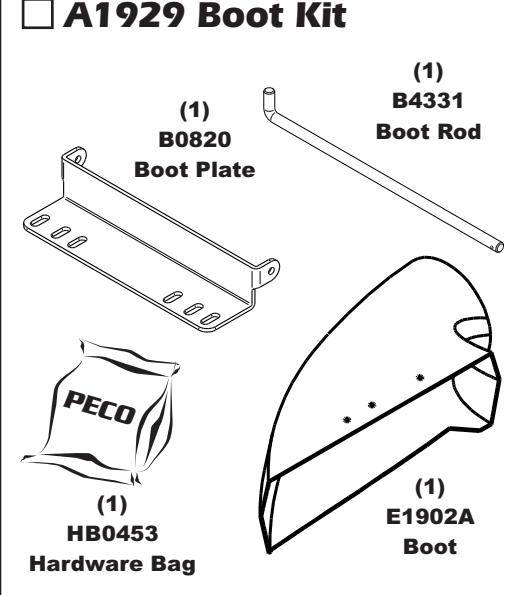
**A1923 Vac Kit**



**A1925 Mount Kit**



**A1929 Boot Kit**



**A2015 Weight Kit**

