



# Unit Model #: 49621204

**Mower:** Country Clipper

**Owner's Manual:** Q0484

**Mower Type:** Charger

**Engine Type:** Kawasaki FX801V & Kohler 27HP

**Deck Size:** 52" & 60"

**Vac Type:** Pro 12

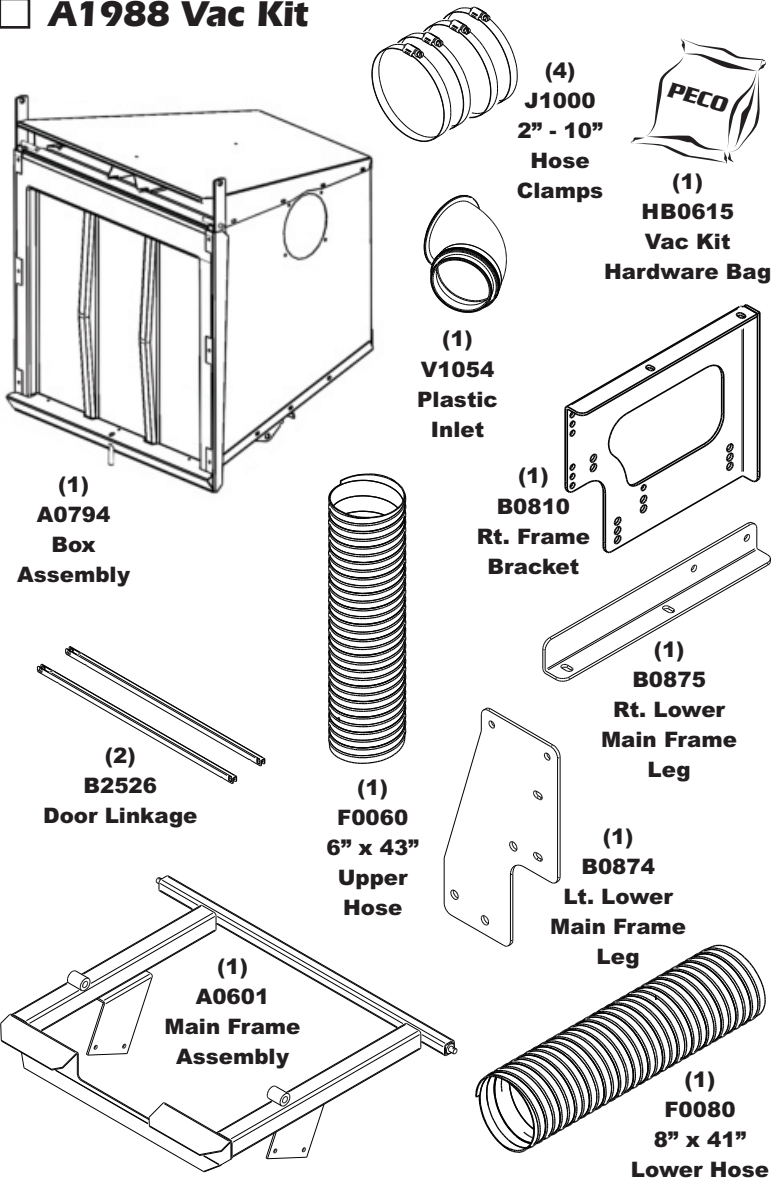
**Deck Type:**

**Drive Type:** PTO (4-Blade)

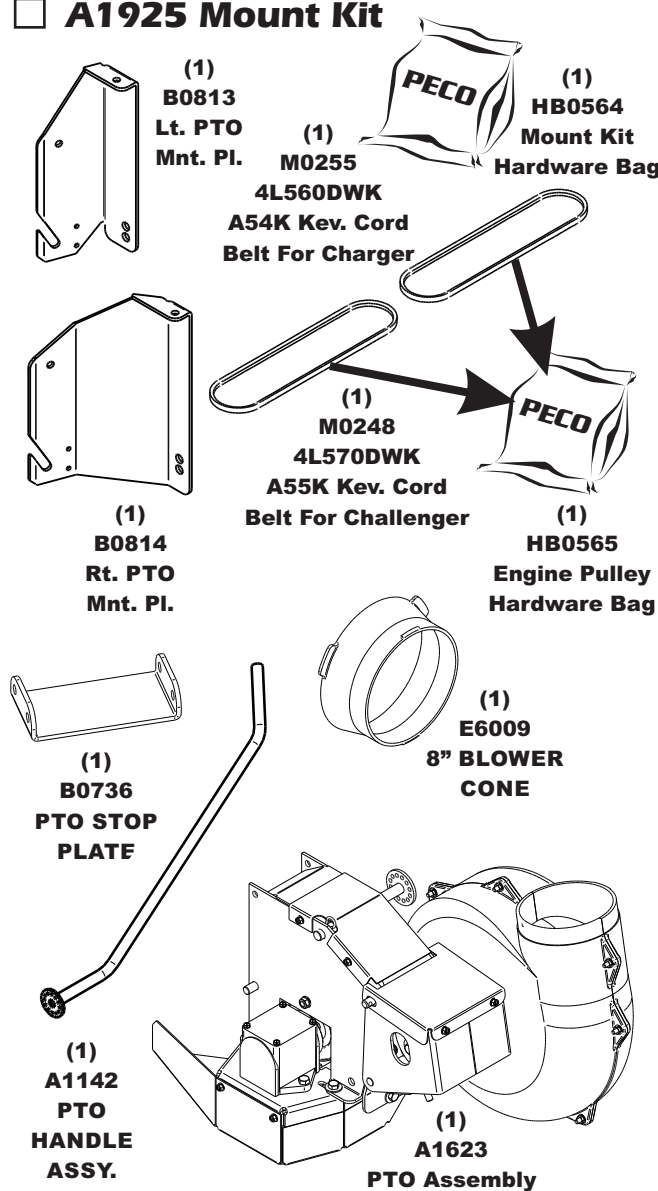
**Revision #:** 1 - Updated Model Year - 9/6/2017

**Fits Year(s):** 2013 - 2018

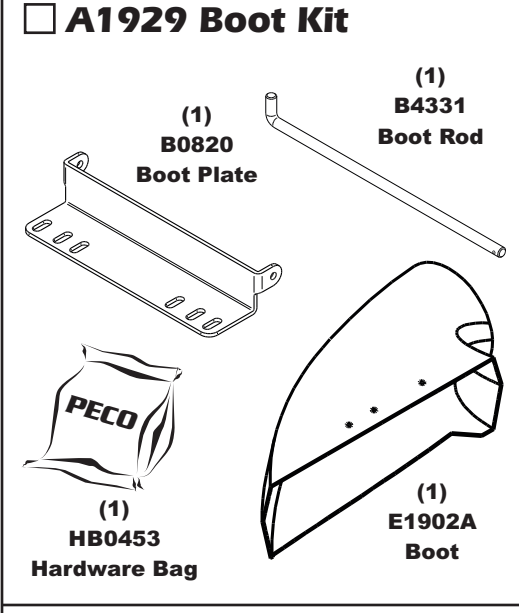
## A1988 Vac Kit



## A1925 Mount Kit



## A1929 Boot Kit



## A0854 Weight Kit

