



ENGINE DRIVEN - GRASS COLLECTION SYSTEM

DESIGNED TO FIT:

**MODEL YEAR:
2015-NEWER**

JOHN DEERE 1570 TERRAIN CUT

60" & 72" DECKS



**Vac Model # 06742404 , 06742405,
06742406, & 06742407**

OPERATOR'S MANUAL

ASSEMBLY • OPERATION • MAINTENANCE

RESIDENTIAL BAGGING SYSTEM

TABLE OF CONTENTS

SECTION	PAGE	SECTION	PAGE
Safety -----	2	Boot To Mower Deck Installation-----	-9
Safety Alert Symbols-----	3	Length of Hose Adjustment -----	9
Warranty -----	4	Upper Hose Installation -----	-9
I INTRODUCTION AND DESCRIPTION -----	5	Lower Hose To Blower Cone Installation-----	9
Introduction -----	5	Lower Hose To Boot Installation -----	-9
Description-----	5	Throttle Installation -----	10-11
II INSTALLATION FOR USE-----	5	Wiring Kit Installation-----	-12
Preparation Of Mower -----	5	III OPERATING INSTRUCTIONS -----	13
Battery Cover Preparation-----	5	General Safety -----	-13
Rear Support Frame Installation-----	5	Operation & Tips On Mowing -----	13
Box Support Frame Installation -----	6	Disengagement Of The PTO Assembly -----	13
Frame Support Brace Installation -----	6	Unloading The Collection System -----	-13
Box Assembly Installation -----	-6	IV MAINTENANCE -----	13
Blower Cone Installation -----	7	Maintenance Checklist -----	13
Impeller Blade Removal and Replacement -----	-7	Lubrication -----	13
Dump Mechanism Adjustment -----	8	V PARTS AND SERVICE-----	14
Box Inlet Installation-----	8	Parts And Service Information -----	14
Engine Mount Arm Installation -----	-8	Pack Drawings-----	15-18
Engine/Blower/Blade Installation-----	8	Exploded Views And Parts List-----	19-21
		Safety Decals -----	22
		Torque Specifications -----	23
		Troubleshooting -----	-24

SAFETY

1. Read the operator's manual carefully and familiarize yourself with the proper use of your attachment. Do not allow anyone who is not acquainted with the Safety Instructions to use your attachment.
2. Know the controls and how to stop quickly. **READ THE OPERATOR'S MANUAL!**
3. Do not allow children to operate the mower. Do not allow adults to operate the mower or grass collection system without proper instruction.
4. Be especially watchful of children and pets darting into the area while operating.
5. Keep your eyes and mind on your unit while mowing or operating your attachment. Don't let others distract you.
6. Do not attempt to operate your unit or mower when not in the driver's seat.
7. Always stop unit when emptying the container.
8. Stop unit, shut off deck attachment, set parking brake, shut off mower engine and remove spark plug wire before removing clogs, removing or replacing hose, boot, blower cone, or performing any maintenance.
9. If a slope must be ascended, back up the slope; drive forward when descending.
10. It is recommended that the container be kept only half full when negotiating any slopes. Start mowing on slopes when the container is empty and never mow slopes greater than 15 degrees.
11. Inspect your lawn and remove any foreign objects before mowing. Never deliberately run the mower across any foreign object.
12. Wear ear protection if the noise level is offensive.
13. Wear eye protection to prevent debris from damaging your eyes.

SAFETY

WARNING! **NEVER** operate the mower unless the discharge guard and either the deflector assembly or the vacuum collector adapter are fastened securely in place.

WARNING! Do not work around the mower deck boot or the blower area until you are certain that the mower blades and the blower impeller have stopped rotating.

WARNING! To avoid serious injury, perform maintenance on the vacuum collector; **ONLY AFTER STOPPING THE MOWER'S ENGINE AND WAITING FOR ALL MOVING PARTS TO COME TO A COMPLETE STOP.** Set the parking brake. Always remove the ignition key before beginning maintenance.

WARNING! For your own personal safety, **ALWAYS** back up the face of slopes. **NEVER** attempt to mow excessively steep slopes, and use caution when turning on any slope.

Safety Alert Symbol



This Safety Alert Symbol means: **“ATTENTION! BECOME ALERT! YOUR SAFETY IS INVOLVED!”**

This symbol is used to call attention to safety precautions that should be followed by the operator to avoid accidents. When you see this symbol, carefully read the message that follows and heed its advice. Failure to comply with safety precautions could result in death or serious bodily injury.

Safety Signs

The signal words **DANGER**, **WARNING**, and **CAUTION** are used on the equipment safety signs. These words are intended to alert the viewer to the existence and the degree of hazard seriousness.



White letters on **RED**

This signal word indicates a potentially hazardous situation which, if not avoided, will result in death or serious injury.



Black letters on **ORANGE**

This signal word indicates a potentially hazardous situation which, if not avoided, could result in death or serious injury.

It may also be used to alert against unsafe practices.



Black letters on **YELLOW**

This signal word indicates a potentially hazardous situation exist which, if not avoided, will result in minor or moderate injury.

It may also be used to alert against unsafe practices.

PECO LIMITED WARRANTY FOR NEW PRODUCTS

A. WHAT IS UNDER WARRANTY?

PECO extends the following warranties to the original purchaser of each new PECO consumer product subject to the following limitations.

1. PRODUCT WARRANTY: Any part of any consumer product, which is defective in material or workmanship as delivered to the purchaser will be repaired or replaced, as PECO elects, without charge for parts or labor, if the defect appears within 12 months from the date of delivery of the product to the original purchaser.

ALL DEFECTIVE PARTS MUST BE RETURNED TO PECO FOR INSPECTION TO DETERMINE VALIDITY OF WARRANTY CLAIMS. Freight and mailing will be borne by the customer.

2. PARTS REPLACED DURING WARRANTY: Any new PECO part which is furnished in performance of this warranty and is defective in material or workmanship as delivered to the purchaser will be repaired or replaced, as PECO elects, without charge if the defect appears within 90 days from the date of installation of such part or before the expiration of the original warranty period, whichever is later.

B. SECURING WARRANTY ADJUSTMENTS.

Call PECO for Return Authorization. Damaged or broken parts other than engines or batteries, must be returned to New PECO, Inc. 10 Walden Dr., Arden, NC 28704 before any warranty adjustment can be authorized. At the time of requesting warranty adjustment, the purchaser must present evidence of the date of delivery of the product. The purchaser shall pay any charge for the product to and from Arden, NC.

C. ITEMS NOT COVERED BY PECO WARRANTY.

Engines and batteries attached to PECO products are covered under a separate warranty by the respective manufacturer.

D. UNAPPROVED ALTERATION OR MODIFICATION.

All obligations of New PECO, Inc. under this warranty shall be terminated if products are altered or modified in ways not approved by New PECO, Inc.

E. ACCIDENTS AND NORMAL MAINTENANCE.

The warranty covers only defective material and workmanship. It does not cover depreciation or damage caused by normal wear, accident, improper use or abuse of products. The cost of normal maintenance and normal replacement of service items such as belts, cutting blades, hoses, etc., which are not defective shall be paid for by the purchaser.

F. NO REPRESENTATIONS ADDITIONAL WARRANTIES, DISCLAIMER.

Neither New PECO, Inc. nor any company affiliated with it makes any warranties, representations or promises as to the quality of performance of its products other than those set forth herein. Except as described above, New PECO, Inc. makes no other warranties **AND SPECIFICALLY DISCLAIMS ANY AND ALL IMPLIED WARRANTIES OF FITNESS AND MERCHANTABILITY.**

G. ANY MACHINE USED FOR RENTAL PURPOSES ARE GUARANTEED FOR 45 DAYS FROM DATE OF ORIGINAL SALE ONLY.

H. REMEDIED EXCLUSIVE.

The only remedies the purchaser has in connection with the breach or performance of any warranty on New PECO, Inc. consumer products are set forth above. In no event will PECO be liable for special incidental or consequential damages.

1. NO SERVICE CENTER WARRANTY.

The selling Service Center makes no warranty on his own on any item warranted by New PECO, Inc. unless he delivers to purchaser a separate written warranty certificate specifically warranting the item. The dealer has no authority to make any representation or promise on behalf of PECO or to modify the terms of this warranty in any way.

SECTION I

INTRODUCTION AND DESCRIPTION

Introduction

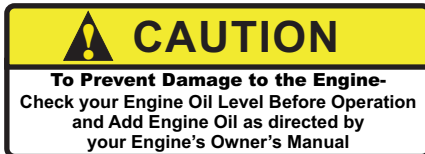
We are pleased to have you as a PECO customer. Your collection system has been designed to give you a low maintenance, simple, and effective way to collect the grass clippings from your mower. This manual is provided to give you the necessary instructions to properly mount and operate the collection system on your mower. Please read this manual thoroughly. Understand what each control is for and how to use it. Observe all safety decal precautions on the machine and noted throughout the manual.

NOTE: all references made to right, left, front, rear, top or bottom are as viewed from the normal operator's position on the mower.

Description

The collection system is designed for turf maintenance where there is a need to collect the grass clippings as the mower cuts the turf. It is also good for picking up leaves and twigs in pre-season and post-season clean-up.

The engine/blower/blade assembly, is mounted on the right side of the unit. The blower draws grass clippings from the discharge area of the cutter deck up and back to the aluminum container mounted over the rear portion of the mower frame. The operator can engage the engine/blower/blade assembly by starting the engine. Once the container is full of clippings, the operator can easily pull and raise the lift handle. Using the lift handle, the operator releases the rear door, the container pivots towards the ground, and the clippings are dumped.



Section II

INSTALLATION FOR USE

Preparation Of Mower

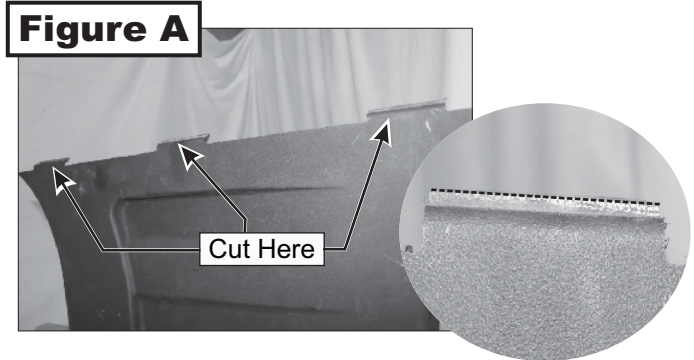
Carefully dismantle wooden shipping crate from around the components. Cut retaining straps and separate the parts. The collection system will have various parts located inside. Remove and sort all parts for easy identification.

NOTE: Before each step of assembly it will help to study the exploded drawings.

Battery Cover Preparation

Modification to the plastic battery cover needs to be made to access battery when unit is fully assembled. Remove cover by loosening the two wing nuts on both sides of the cover and remove.

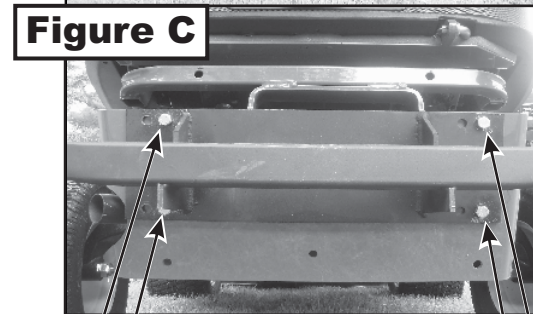
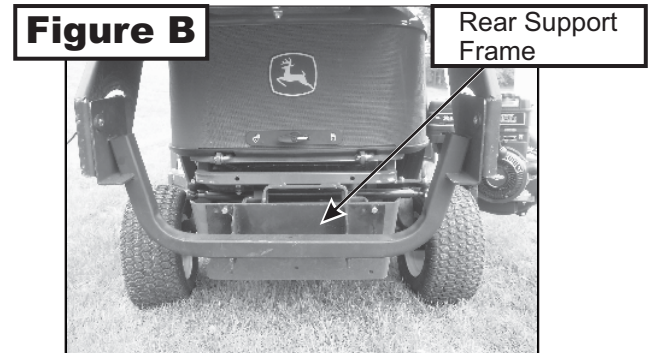
Make a mark 1/8" above the turn upwards on all three of the tabs and cut, removing approximately 1/2" of material. Reattach cover and make sure that it will slide on and off without having to rotate outwards. See Figure A.



Rear Support Frame Installation

Note: It is recommended that someone assist you in attaching the rear support frame.

Lift the Rear Support Frame P#(A0862) into position aligning the mounting holes on the rear support frame with the existing holes on the rear bumper of the mower, as shown. Fasten the rear frame support using (4) 7/16"-14 x 1" HHCS P#(K1458) and (4) 7/16"-14 Flange Nuts P#(K1459). (See Figures B & C)

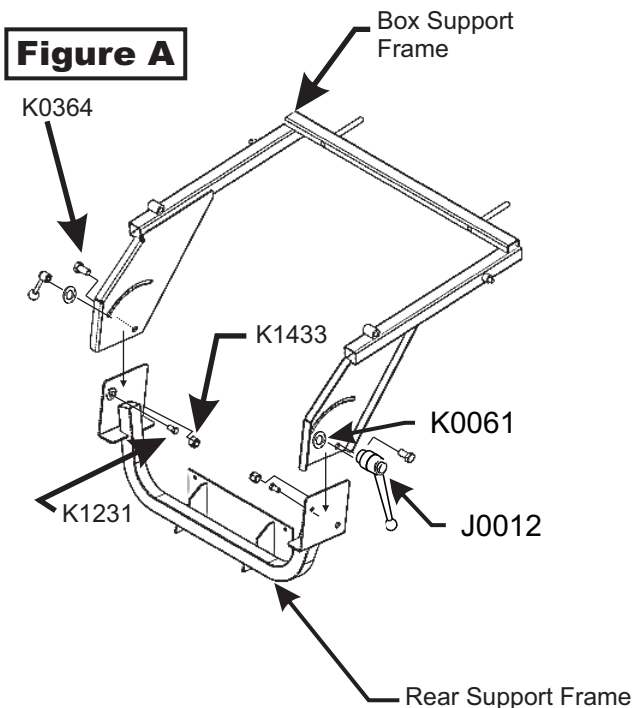


(4) 7/16"-14 x 1" HHCS
(4) 7/16"-14 Flange Nut
Mounted in Holes
to the Right Side

Box Support Frame Installation

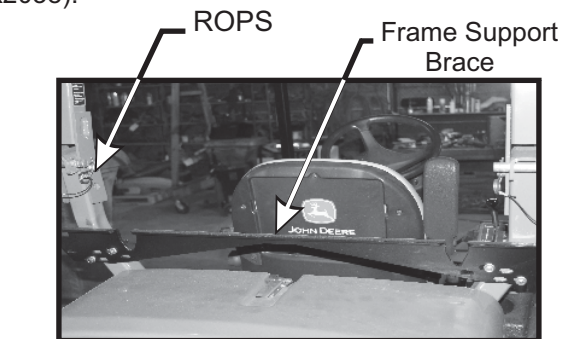
Note: It is recommended that someone assist you in attaching the box support frame.

Lift the Box Support Frame P#(A0579) into position and align the mounting holes on the Box Support Frame with the mounting holes on the Rear Support Frame Assembly P#(A0862). Fasten the Box Support Frame using (2) 3/4"-10 x 1-1/2" HHCS P#(K0364) and (2) 3/4"-10 Ny-Locknuts P#(1433). Then, attach (2) Locking Handle Assemblies P#(J0012), 3/4" Flat Washers P#(K0061) and (2) 1/2"-13 x 1" HHCS P#(K1231). (See Figure A)



Frame Support Brace Installation

Position the Frame Support Brace P#(B0212) onto the rear side of the mower's ROPS and raise the Frame Support Brace into position with the pins on the Box Support Frame. Fasten using (2) 3/8"-16 x 3" U-Bolts P#(K1432) and (4) 3/8"-16 Ny-Flange Locknuts P#(K2038).



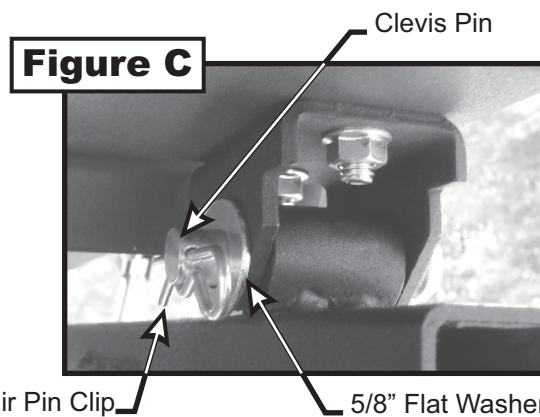
Right Side Mounting Holes



Box Assembly Installation

Note: It is recommended that two people assist you in mounting the box assembly.

Lift the Box Assembly into position onto the frame and align the box pivot holes with the mounting holes on the frame. Insert (2) Clevis Pins P#(K0172) from the outside of the box and fasten with (2) 5/8" Flat Washers P#(K0058) and (2) 5/32" x 2-5/8" Hair Pin Clips P#(K0088). See Figure C.



Attach the bottom ends of the door linkage rods to the frame with (2) Cotter Pins P#(K1437). If necessary, turn the adjusting screw to align the mounting holes. See Figure D for detail.

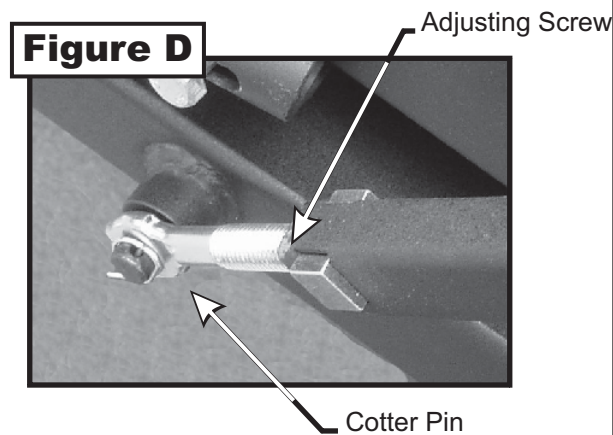


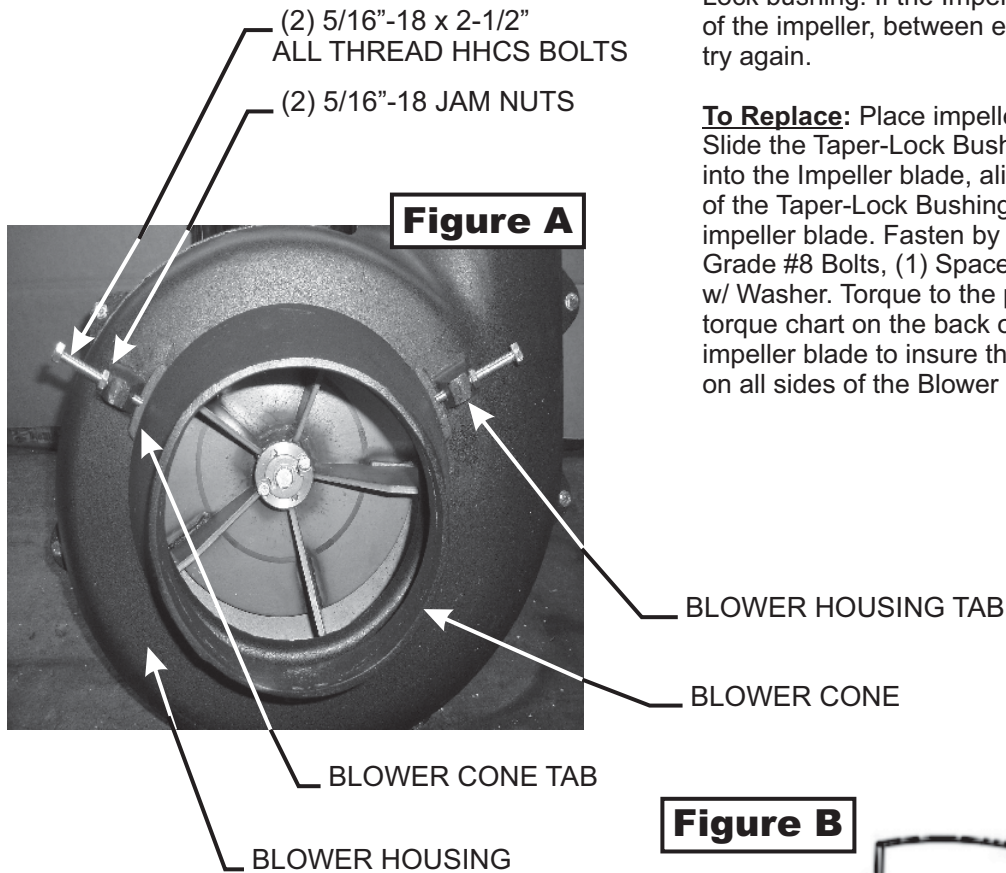
Figure E



Box Assembly Installed.

Blower Cone Installation

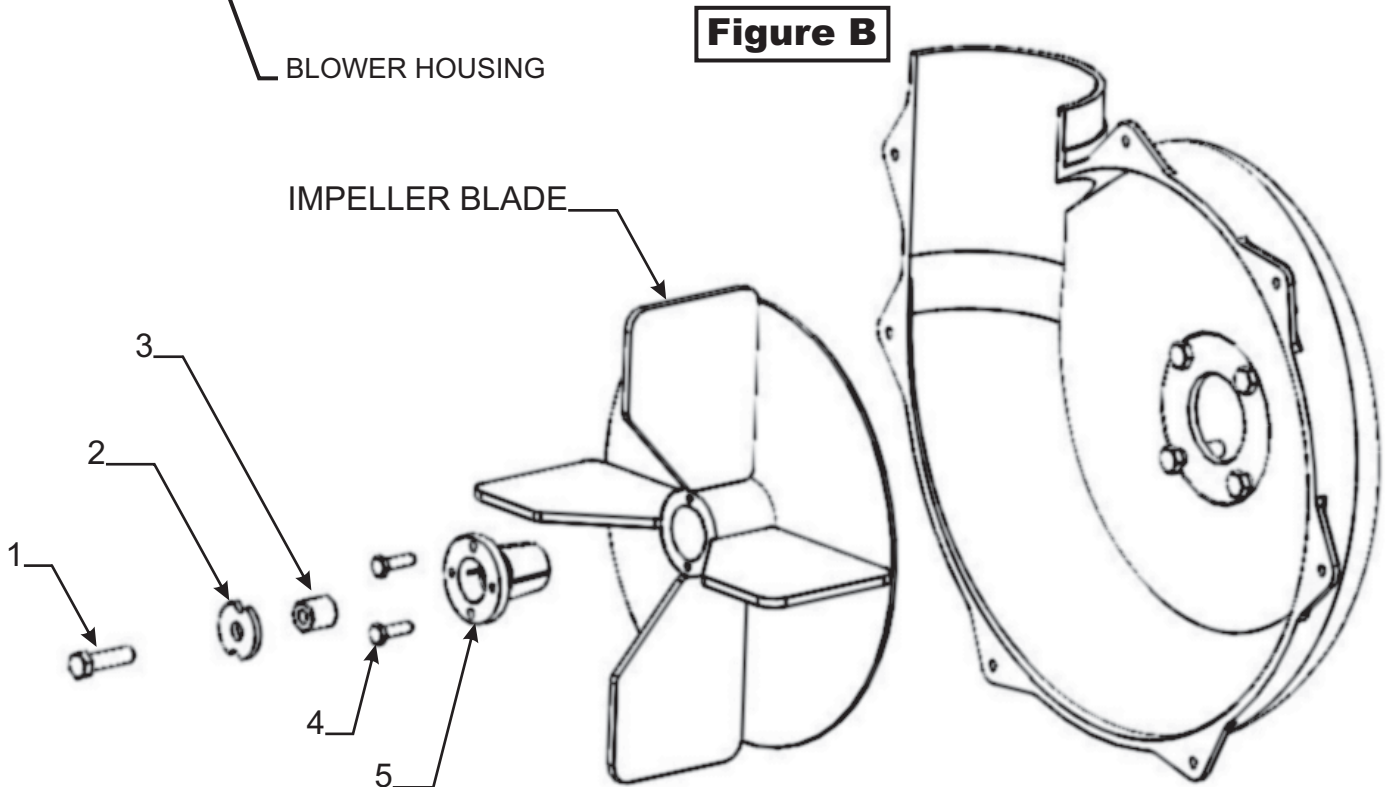
Thread (1) 5/16"-18 Jam Nut P#(K0120) onto each end of (2) 5/16"-18 x 2-1/2" HHCS P#(K0125). Now partially thread the bolts into each of the two tabs located on the blower housing. Place blower cone so the two tabs line up with the bolts then tighten completely. See Figure A.



Impeller Blade Removal/Replacement

To Remove: First remove the Center Bolt (#1), Washer (#2) and Spacer (#3) from the Taper-Lock Bushing (#5). See Figure B. Next remove the (2) 1/4"-20 Bolts (#4) and place them into the threaded holes of the Taper-Lock bushing (next to the holes they were removed from). Gradually thread each bolt evenly into the Taper-Lock Bushing, forcing the blade to break-away from the Taper-Lock bushing. If the Impeller will not move, hit the base of the impeller, between each vein, with a hammer, then try again.

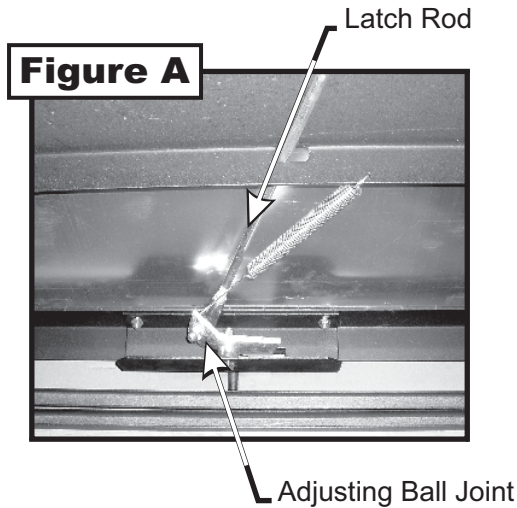
To Replace: Place impeller blade over the engine shaft. Slide the Taper-Lock Bushing on to the engine shaft and into the Impeller blade, aligning the **non-threaded** holes of the Taper-Lock Bushing to the threaded holes of the impeller blade. Fasten by using (2) 1/4"-20 HHCS Grade #8 Bolts, (1) Spacer Washer and (1) HHCS bolt w/ Washer. Torque to the proper specifications in the torque chart on the back of this manual. Next, rotate the impeller blade to insure that the blade is clear of contact on all sides of the Blower Housing.



Dump Mechanism Adjustment

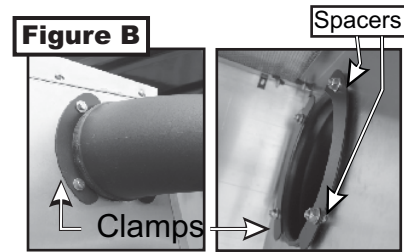
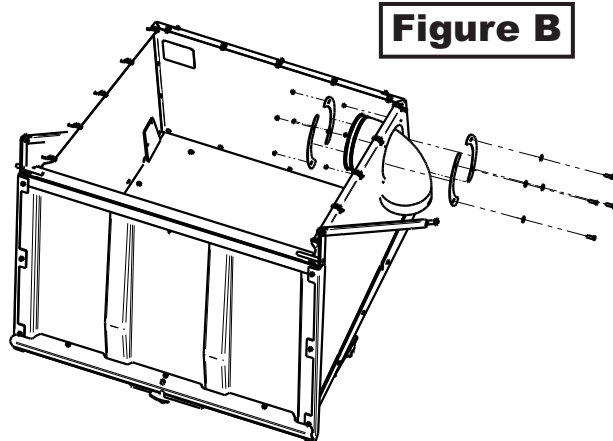
The linkage rods may be adjusted at the adjusting screw and at the latch assembly. To change the door closure tightness, thread the adjusting screw clockwise to loosen the contact between the door and the box, or counter-clockwise to tighten the contact between the door and the box.

To adjust the latch, change the length of the latch rod by threading the latch rod in or out of the adjusting ball joint. The latch hook pivot should be in the middle of the slot in the latch hook pivot plate. Slide the pivot back and forth, then tighten so the door opens and closes while still having a tight seal between the door and the box. See Figure A.



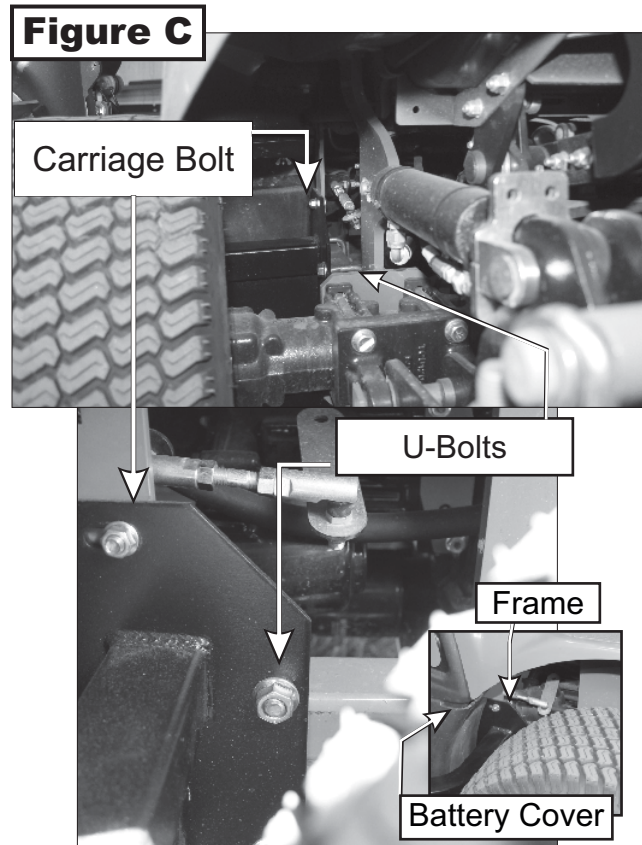
Box Inlet Installation

Insert the inlet P#(V0025C) into the opening from the inside out. From the outside of the box, place two Inlet Clamps P#(B0901) on each side of inlet and hold in place with (2) 5/16"-18 x 1" HHCS P#(K1154) and (2) 5/16" Flat Washers P#(K0042) on each clamp. Next, from the inside of the box place all (4) spacers P#(S0006) over bolts. Align the remaining (2) Inlet Clamps P#(B0901) with bolt holes having the same orientation as the others. Last, fasten with (4) 5/16"-18 Ny-Flange Locknuts P#(K2516). See Figure B.



Engine Mount Arm Installation

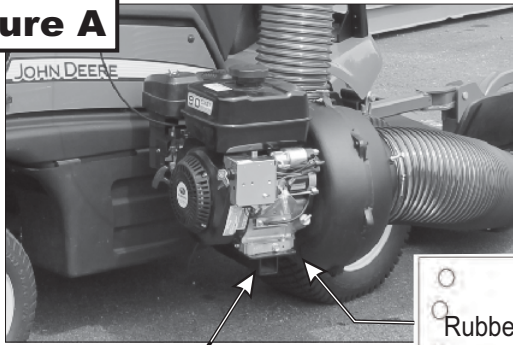
Slide the Engine Mount Arm assembly P#(A2022) behind the front right wheel and in front of the battery housing cover. Fasten the Engine Mount Arm assembly to the chassis using (1) 3/8"-16 x 1-1/4" Carriage Bolt P#(K1183) through the square hole, see figure C, and fasten with (1) 3/8"-16 Ny-Flange locknut P#(K2038). Next, place (2) 1/2"-13 x 4-5/16 x 2-3/4 U-Bolts P#(K0289) around frame and into holes on Mount plate and secure with (4) 1/2"-13 Ny-Flange locknuts P#(K2012).



Engine/Blower/Blade Assembly Installation

Before mounting engine place Rubber Pads (#V1090) between mount plate and base of engine. Align holes in rubber pads with holes on engine mount plate. Place the engine/blower/blade assembly onto the engine mount arm assembly and align the mounting holes. With rubber pads between engine and mount plate, fasten using (4) 5/16"-18 x 2-1/4" HHCS P#(K1160) and (4) 5/16"-18 Flange Locknuts P#(K2516). See Figure A on next page.

Figure A



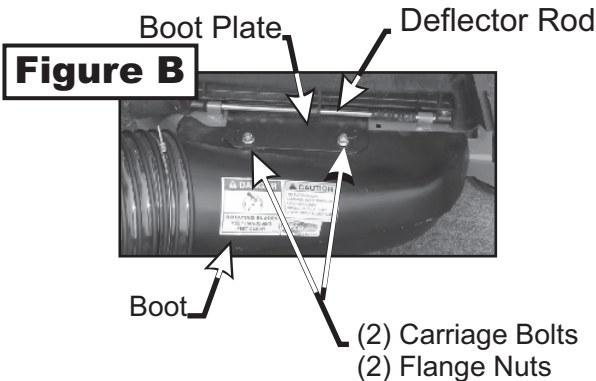
Engine Mount Arm Assembly

Rubber Pads
V1090 (2X)

Boot Installation

For 72" deck: Mount the Boot Plate P#(B1856) to the Boot P#(E1127) using (2) 3/8"-16 x 1" Carriage Bolts P#(K1182) and 3/8"-16 Flange Nuts P#(K1215). Make sure the head of the bolt is placed from inside the boot when fastening. This will prevent grass clippings from collecting on the bolts. Hang the Boot Plate onto the grass deflector rod.

For 60" deck: Mount the Boot Plate P#(B1815) to the Boot P#(E1127) using (2) 3/8"-16 x 1" Carriage Bolts P#(K1182) and 3/8"-16 Flange Nuts P#(K1215). To attach the Boot and Boot Plate lift the deflector shield and slide Boot Plate underneath the deflector rod. Figure B shows the Boot mounted to the 60" deck.



Length of Hose Adjustment

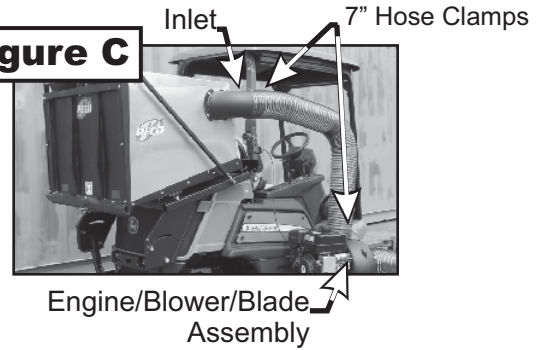
IMPORTANT: PLACE GRASS COLLECTOR BOX IN UNLOAD/DUMP POSITION TO MEASURE HOSE CUT LENGTH.

The Upper and Lower Hoses must be cut to fit your machine. Follow the installation steps, but do not cut the hoses until you have tried to fit them on your machine. The hoses must be long enough to allow for clamping surface between the Inlet, Engine/Blower/Blade assembly, and the Boot.

Upper Hose Installation

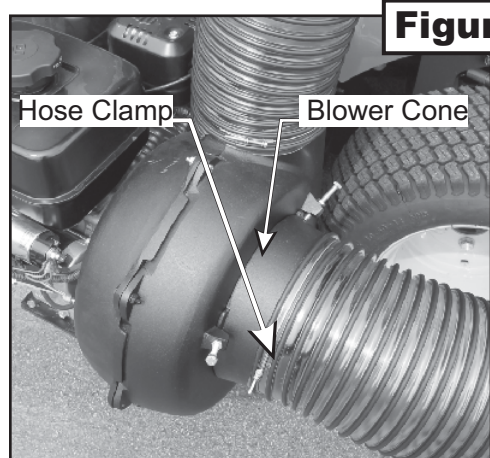
Slide a 7" Hose Clamp P#(J0070) over both ends of the 7" upper hose. Slide one end of the hose onto the inlet. You will need about two inches of overlap between the hose end and the inlet. Slide the other end of the hose over the blower cone. Make sure both ends of the hose are clearly attached with enough overlap, then tighten the clamps. See Figure C

Figure C



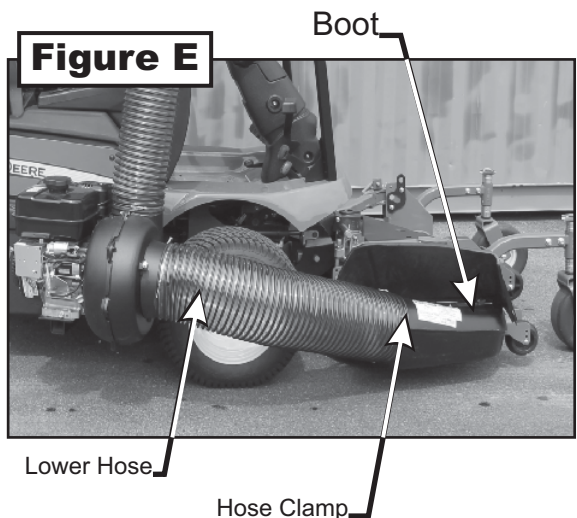
Lower Hose Installation To Blower Cone

Slide a 9" Hose Clamp P#(J0090) over both ends of the Lower Hose. Then proceed to slide the Lower Hose onto the Blower Cone. Tighten the Hose Clamp. The assembly should look like Figure D.



Lower Hose To Boot Installation

Take the unattached end of the Lower Hose and slide it over the circular end of the Boot. Use the Lower Hose Clamp to secure the hose to the Boot (Figure E).



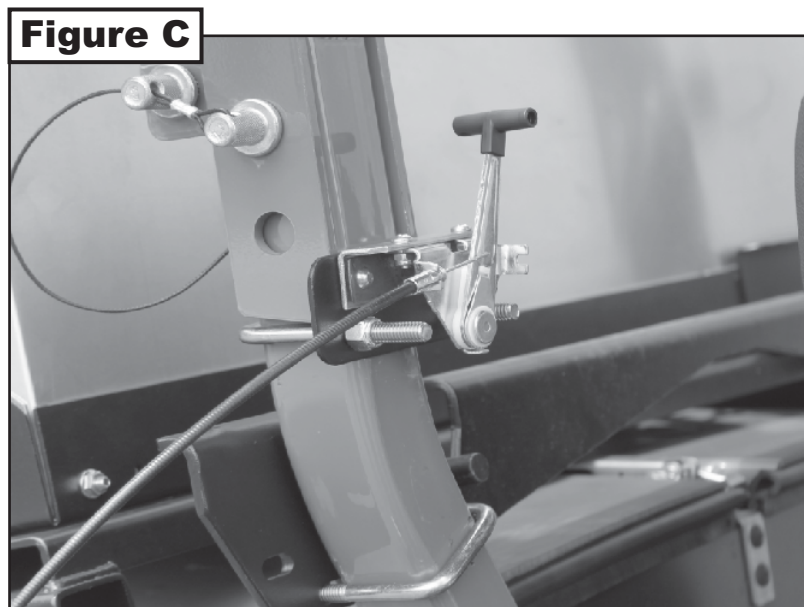
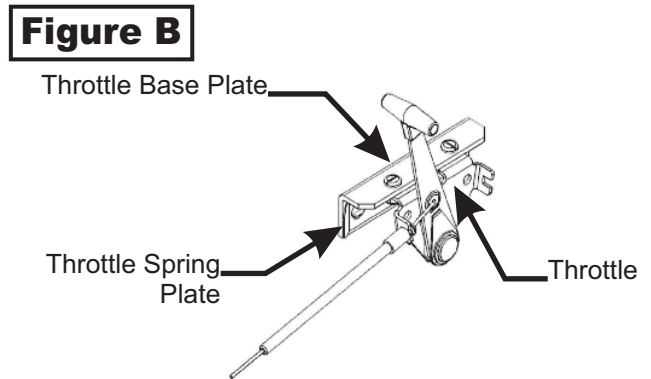
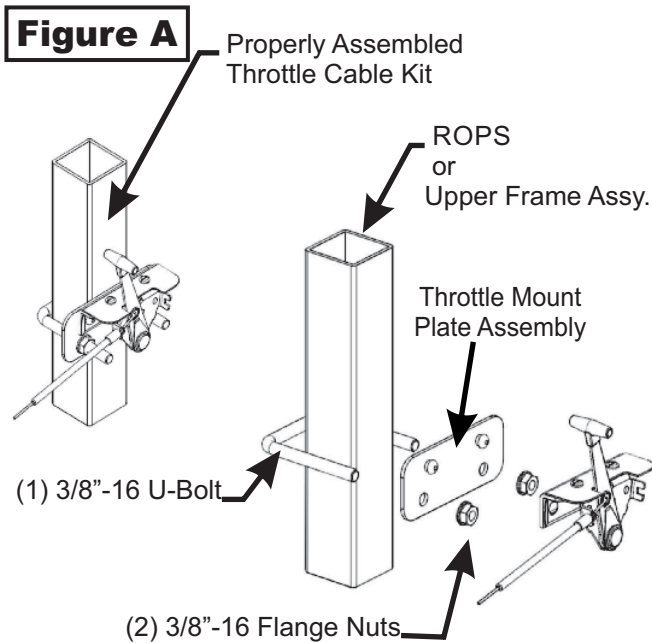
Throttle Kit Assembly Installation

To install the throttle kit assembly to the ROPS (roll over protection system), place the 3/8" U-Bolt P#(K0136) onto the ROPS with the threads facing the front of the mower.

Next slide on the throttle mount plate assembly P#(A0666) with the rivets also facing toward the front of the mower. Tighten the throttle mount plate assembly securely to the ROPS using (2) 3/8"16 Ny-Flange Locknuts P#(K2038) (Figure A).

With the throttle cable facing toward the engine/blower/blade assembly, place the throttle base plate over the rivets. Slide the throttle cable kit to the right, moving the smaller end of the slot over the rivets. When positioned correctly, the throttle spring plate will snap into place (Figure B).

To remove the throttle cable kit, lift the throttle spring plate and slide the throttle kit to the left.



Throttle Kit Assembly Installation (Continued)

BR 10HP Vanguard

To fasten the throttle cable end to the engine, place the throttle control lever into the "slow" position. Rotate the engine throttle lever to the "slow" position.

Remove the screw on the engine next to the "fast" position of the throttle lever. Attach (1) Throttle Cable Sleeve Clamp, oriented with bent tab up and facing the engine, using the 10-32 x 3/4" HHCS provided in the engine hardware. Insert the "Z" bend into the hole in the throttle lever. Clamp the throttle cable sleeve to the engine and tighten. Refer to the Figure A below.

Rotate the throttle control lever into the "fast" position to check for proper installation.

Yanmar 7HP

To fasten the throttle cable end to the engine, locate the throttle cable guide and receiver on the front of the engine. Refer to Figure B below.

Remove the clamp screw on the throttle cable receiver. Insert the throttle cable in through the top side of the throttle cable guide down into the hole located on top of the throttle cable receiver. Replace the clamp screw and tighten. Refer to Figure B below.

Rotate the throttle control lever to check for proper installation.

Figure A

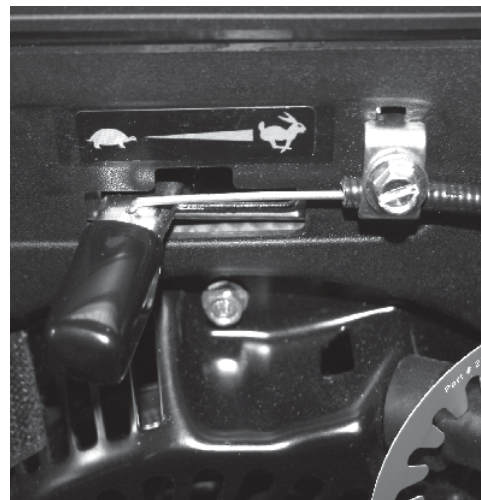
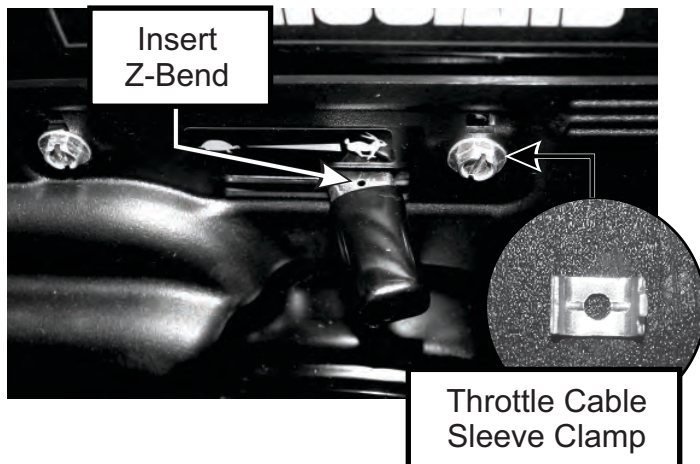
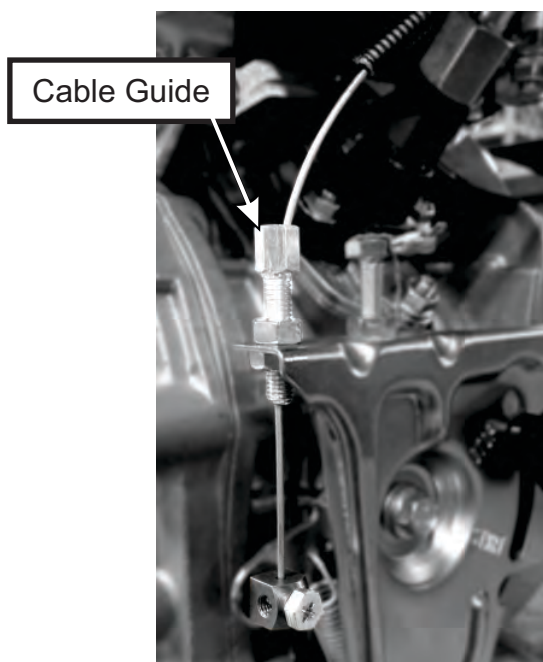
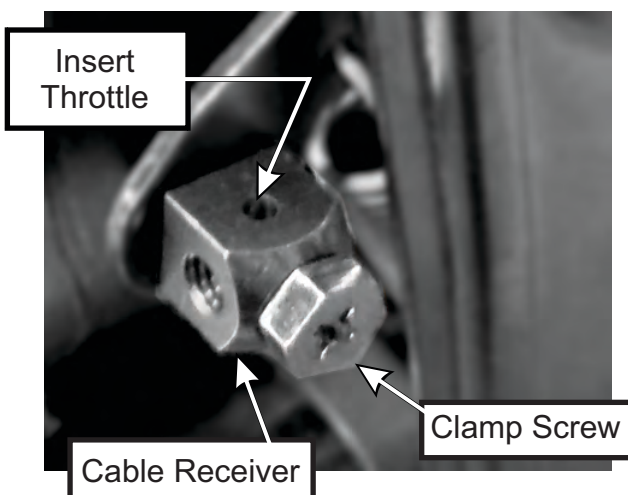


Figure B



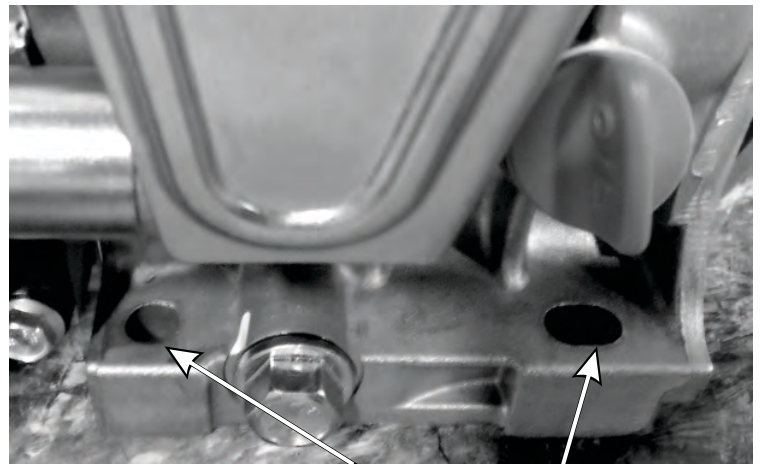
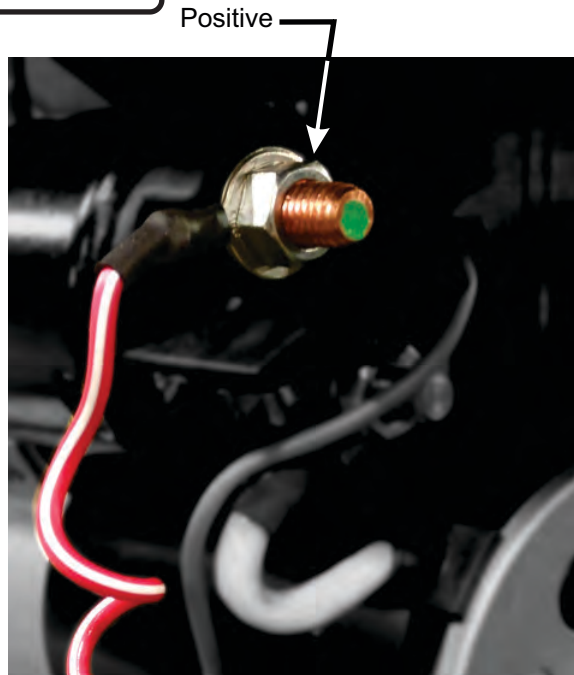
Wiring Kit Assembly Installation

To connect the Wiring Kit (P#:A2152), connect the (P#:P0620) 4 gage Red Wire to the positive (+) terminal of the starter solenoid on the engine. Route the Red Wire from the solenoid to the positive (+) terminal of the battery.

Connect the (P#:P0621) 8 gage Black Wire to one of the mounting bolt holes located on the bottom of the engine. Route the black wire from the bolt hole to the negative (-) terminal of the battery.

Refer to the Figures below for your respective engine.

7HP Yanmar

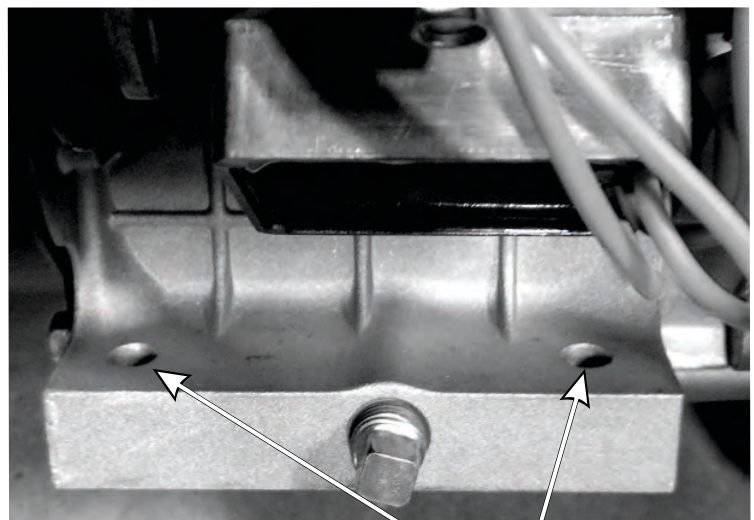


Negative (-) Terminal
Connection
(Engine Block)

10HP Vanguard



Positive (+) Terminal
Connection (Solenoid)



Negative (-) Terminal
Connection
(Engine Block)

SECTION III OPERATING INSTRUCTIONS

General Safety

Only qualified people familiar with this operator's manual and the mower's operator's manual should operate this machine.

Operation & Tips On Mowing

- A. Perform BEFORE EACH USE maintenance.
- B. Start the engine/blower/blade assembly.
- B. Start mower.
- C. With the mower at high idle speed, engage the mower deck.
- D. Proceed to operate the control levers of the mower.

Note: If the collection system does not appear to be collecting the grass clippings; disengage the deck, and blower, engage the parking brake and turn the mower off. Check the upper hose, lower hose, top screen and boot for clogs.

To obtain the maximum effectiveness from your collection system the tips listed below should be followed:

- * Watch your speed- Normal conditions will allow a speed of up to approximately 5 mph, but thick, heavy damp conditions will require reduced ground speed.
- * Mow with sharp blades- A sharp blade cuts cleaner.
- * Wet grass and leaves will decrease effectiveness and will increase horsepower requirements.
- * Mow at higher cutting heights- Remove and mulch no more than 2" of grass length with each mowing. (Experts recommend not cutting off more than 1/3 of the grass blade length at any given time.)
- * Mow twice, at different height settings, (high, then low), if grass is extra tall.
- * Remember that horsepower requirements will vary with the mowing conditions such as type and height of turf grass, moisture content, amount of leaves, whether the terrain is flat or hilly, etc.

Unloading The Collection System

Note: Press the tab, located behind the operator's left side, downward to feel if the collection system is full. If the container is full there will be resistance when depressing the tab.

- A. Stop the forward movement of the mower.
- B. Disengage the mower deck.
- C. Using the throttle cable slow the engine down to idle.
- D. Push the dump handle, on the left of the operator, away from the unit. While holding the handle pushed away, move the handle upward. The container door will swing upward and the container will rotate downward. The container will release its contents.
- E. Once the contents of the container have fallen out, the container is ready to move back into its normal operating position. With the handle in the 'away' position, pull the handle downward until it stops. Move the handle towards the center of the mower. This motion will allow the latch to lock back into collection position.

Note: If you do not hold the handle away from the mower as you pull the handle downward, the latch will not lock and the container can unexpectedly release the contents collected.

SECTION IV MAINTENANCE

Maintenance Checklist

Before each use:

1. Check blades and spindles to be sure that no foreign objects, such as wire or steel strapping bands, are wrapped around them.
2. Inspect blades for wear. Replace if necessary. If it is necessary to sharpen the blades, remove the blades from the spindles before sharpening. DO NOT sharpen blades while still attached to the mower.
3. Make sure all shields are in place and in good condition. Repair or replace any missing or damaged shields.
4. Listen for abnormal sounds, which might indicate loose parts, damaged bearings, or other damage. Correct any deficiency before continuing operation.
5. Check for wear or deterioration of the upper or lower hoses. If there are any portions of the hose that have been torn or worn through, replace with genuine PECO parts.

After Each Use:

1. Clean all debris from machine especially from the container, and off of safety decals. Replace any missing or illegible decals.
2. Clean all debris from the box screen.
3. Inspect unit for worn or damaged components. Repair or replace before the next use. Any replacement component installed during repair shall include the components current safety decal specified by the manufacturers to be affixed to the component.

SECTION V PARTS AND SERVICE

5-1 Parts And Service Information

PECO collection system owners should record the name and telephone number of their Service Center. Your Service Center will be happy to supply replacement parts, accessories, and do any service or repairs to your collection system. If for any reason your Service Center is unable to service your collection system or supply replacement parts, contact PECO and include the following information on the chart below.

DOCUMENT THE FOLLOWING INFORMATION FOR FUTURE REFERENCE

Unit Model Number: _____

Unit Engine Size: _____

Unit Serial Number: _____

Date of purchase: _____ / _____ / _____

Dealer/Distributor Name: _____

Address: _____ **State:** _____ **Zip:** _____

Phone Number: _____

**10 WALDEN DR
ARDEN, NORTH CAROLINA 28704
(800) 438-5823 OR (828) 684-1234 FAX: (828) 684-0858
EMAIL: peco@lawnvac.com
WEBSITE: www.lawnvac.com**

MODEL#: 06742404

MOWER NAME: JOHN DEERE

MOWER MODEL: 1570 TERRAIN CUT

MOWER DECK SIZE: 60"

VAC NAME: PRO 24 WITH 10 HP B&S VANGUARD

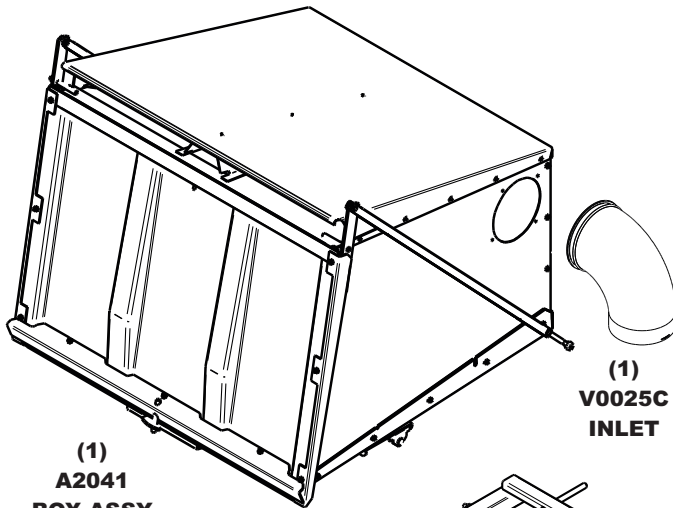
MANUAL: Q0498



FOR YEAR: 2015 & Newer

REVISED:

A0890 - UNIT ASSEMBLY



(1)
A2041
BOX ASSY

(1)
V0025C
INLET

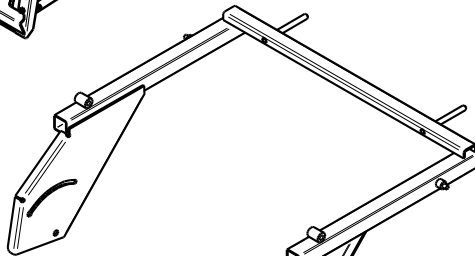


(1)
9" x 40"
LOWER
HOSE

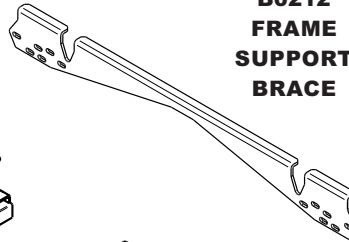


(1)
7" x 74"
UPPER
HOSE

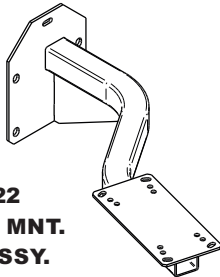
(1)
A0579
BOX SUPPORT
FRAME ASSY



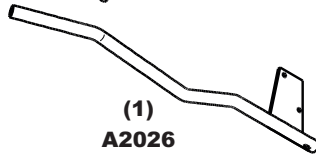
(1)
B0212
FRAME
SUPPORT
BRACE



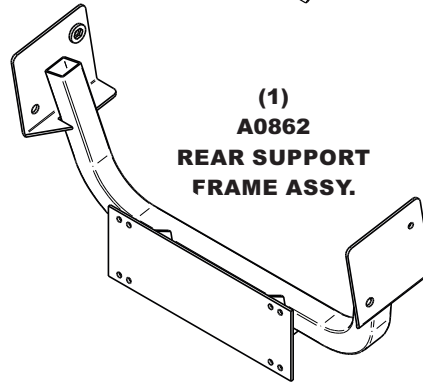
(1)
A2022
ENGINE MNT.
ARM ASSY.



(1)
A2026
P24 BOX
HANDLE



(1)
A0862
REAR SUPPORT
FRAME ASSY.

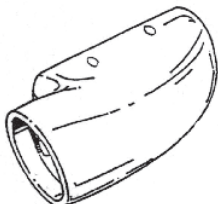


(1)
HB0316
UNIT ASSY.
H.W. BAG

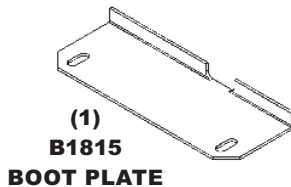
A0869 BOOT KIT ASSY. 60" DECK



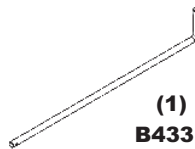
(1)
HB0239
BOOT KIT
H.W. BAG



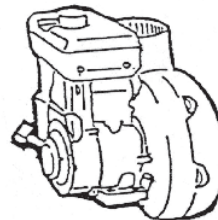
(1)
E1127
BOOT



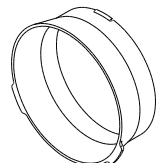
(1)
B1815
BOOT PLATE



(1)
B4331
BOOT ROD



(1)
A615
ENGINE/
BLOWER/
BLADE ASSY.



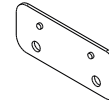
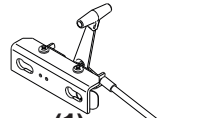
(1)
E6012
9" BLOWER
CONE

A2052 - THROTTLE KIT



(1)
HB0660
THROTTLE
KIT H.W. BAG

(1)
A0060
THROTTLE
KIT ASSY.



(1)
A0666
THROTTLE
MNT. PL. ASSY.

MODEL#: 06742405

MOWER NAME: JOHN DEERE

MOWER MODEL: 1570 TERRAIN CUT

MOWER DECK SIZE: 72"

VAC NAME: PRO 24 WITH 10 HP B&S VANGUARD

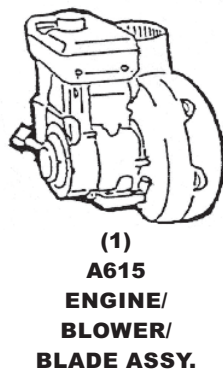
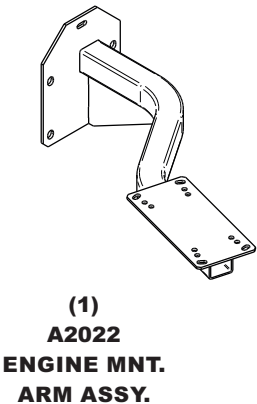
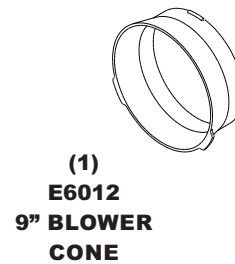
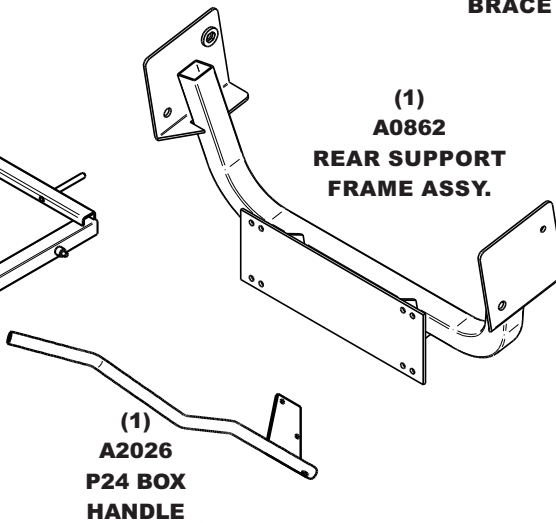
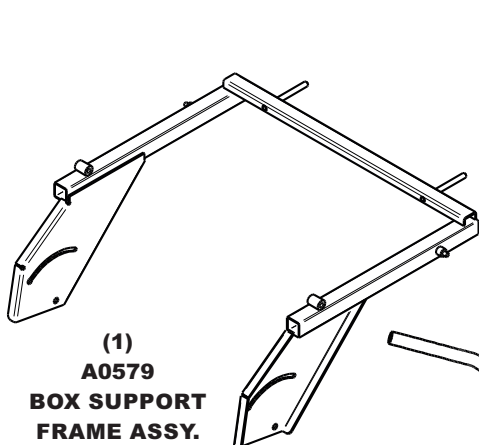
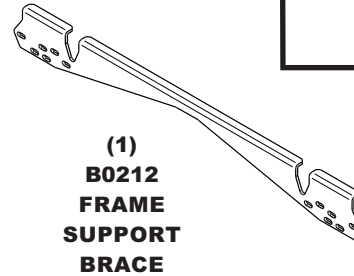
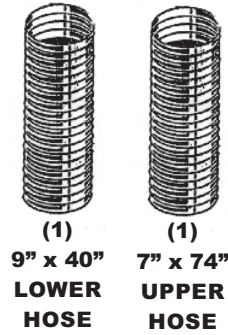
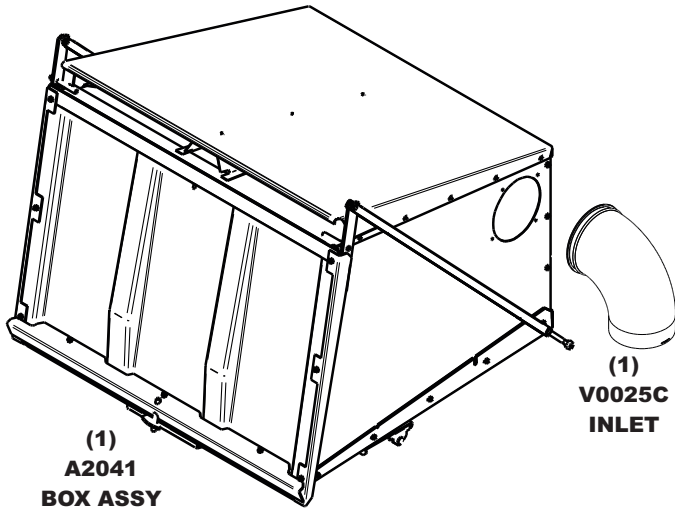
MANUAL: Q0498



FOR YEAR: 2015 & Newer

REVISED:

A0890 - UNIT ASSEMBLY

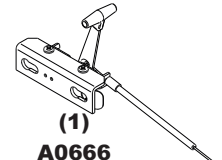


A2052 - THROTTLE KIT

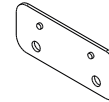


(1)
HB0660
THROTTLE
KIT H.W. BAG

(1)
A0660
THROTTLE
KIT ASSY.



(1)
A0666
THROTTLE
MNT. PL. ASSY.

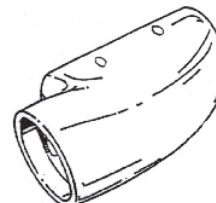


(1)
HB0316
UNIT ASSY.
H.W. BAG

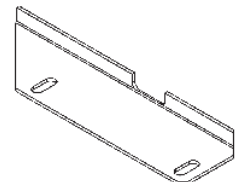
A0868 BOOT KIT ASSY. 72" DECK



(1)
HB0218
BOOT KIT
H.W. BAG



(1)
E1127
BOOT



(1)
B1856
BOOT PLATE

MODEL#: 06742406

MOWER NAME: JOHN DEERE

MOWER MODEL: 1570 TERRAIN CUT

MOWER DECK SIZE: 60"

VAC NAME: PRO 24 WITH 7 HP YANMAR

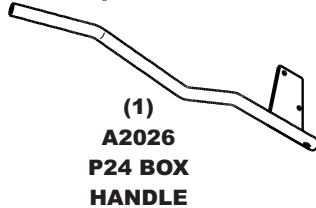
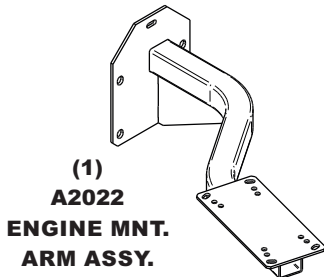
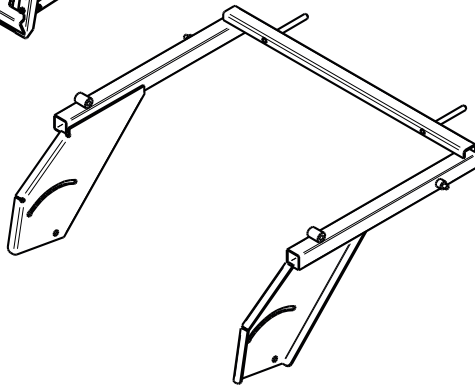
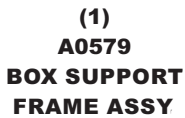
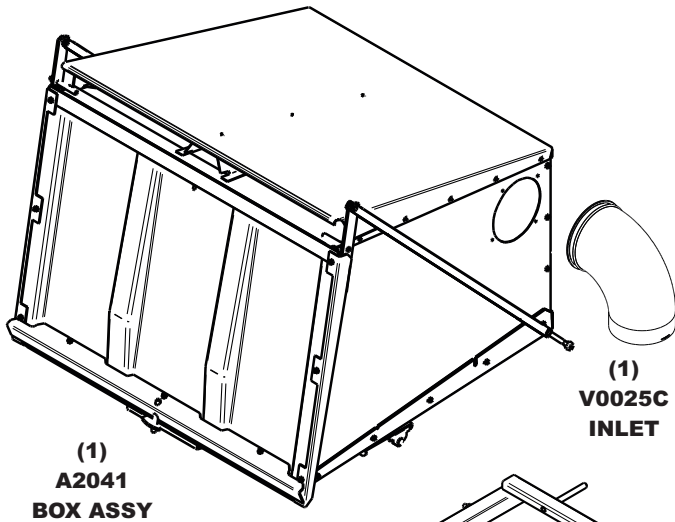
MANUAL: Q0498



FOR YEAR: 2015 & Newer

REVISED: AUGUST 2017

A0891 - UNIT ASSEMBLY

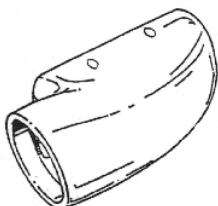


(1)
HB0316
UNIT ASSY.
H.W. BAG

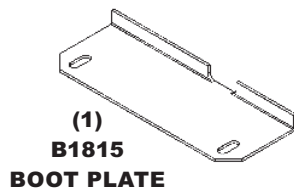
A0869 BOOT KIT ASSY. 60" DECK



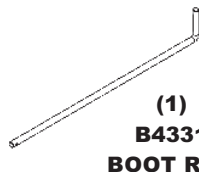
(1)
HB0239
BOOT KIT
H.W. BAG



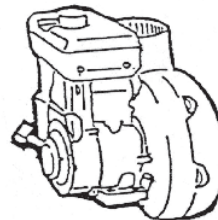
(1)
E1127
BOOT



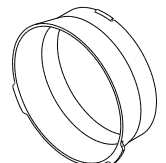
(1)
B1815
BOOT PLATE



(1)
B4331
BOOT ROD



(1)
A620
ENGINE/
BLOWER/
BLADE ASSY.



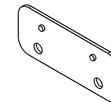
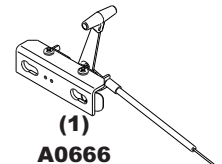
(1)
E6012
9" BLOWER
CONE

A2052 - THROTTLE KIT



(1)
HB0660
THROTTLE
KIT H.W. BAG

(1)
A0060
THROTTLE
KIT ASSY.



(1)
A0666
THROTTLE
MNT. PL. ASSY.

MODEL#: 06742407

MOWER NAME: JOHN DEERE

MOWER MODEL: 1570 TERRAIN CUT

MOWER DECK SIZE: 72"

VAC NAME: PRO 24 WITH 7 HP YANMAR

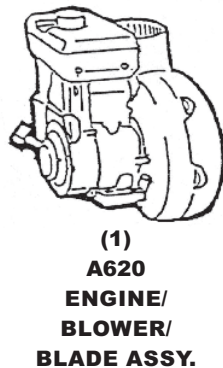
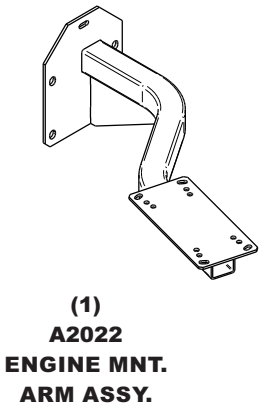
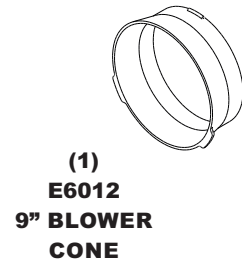
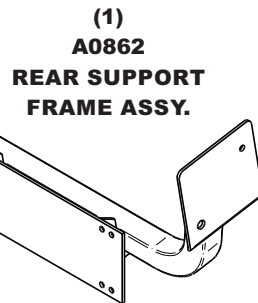
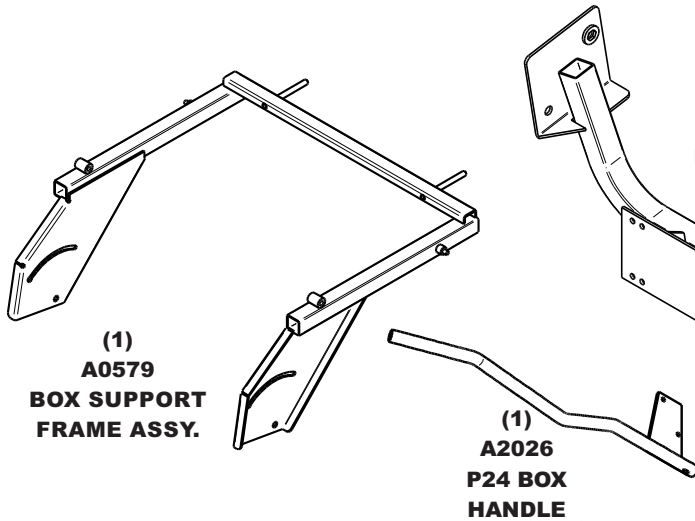
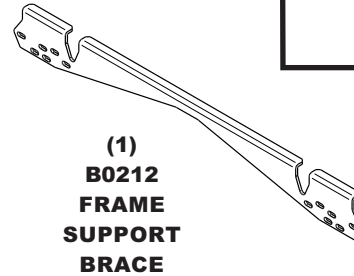
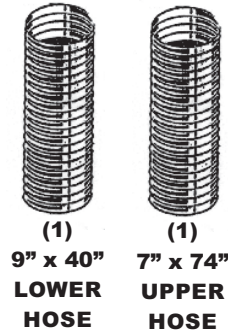
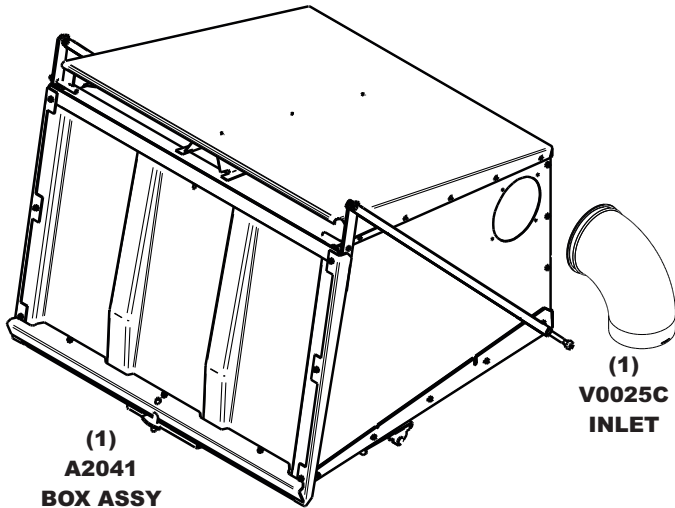
MANUAL: Q0498



FOR YEAR: 2015 & Newer

REVISED: AUGUST 2017

A0891 - UNIT ASSEMBLY

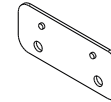
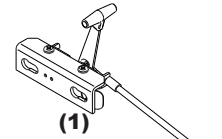


A2052 - THROTTLE KIT



(1)
HB0660
THROTTLE
KIT H.W. BAG

(1)
A0660
THROTTLE
KIT ASSY.



(1)
A0666
THROTTLE
MNT. PL. ASSY.

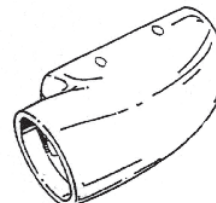


(1)
HB0316
UNIT ASSY.
H.W. BAG

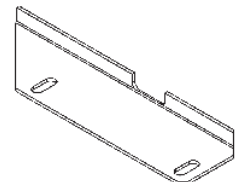
A0868 BOOT KIT ASSY. 72" DECK



(1)
HB0218
BOOT KIT
H.W. BAG



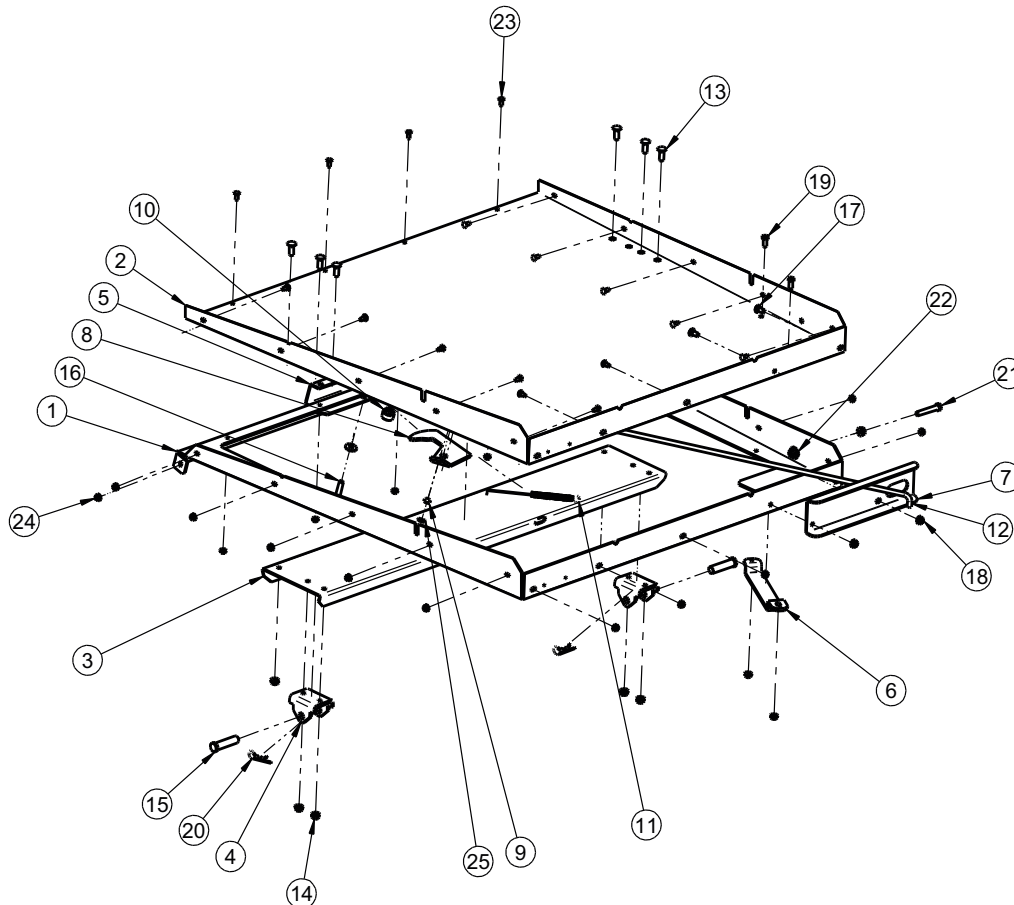
(1)
E1127
BOOT



(1)
B1856
BOOT PLATE

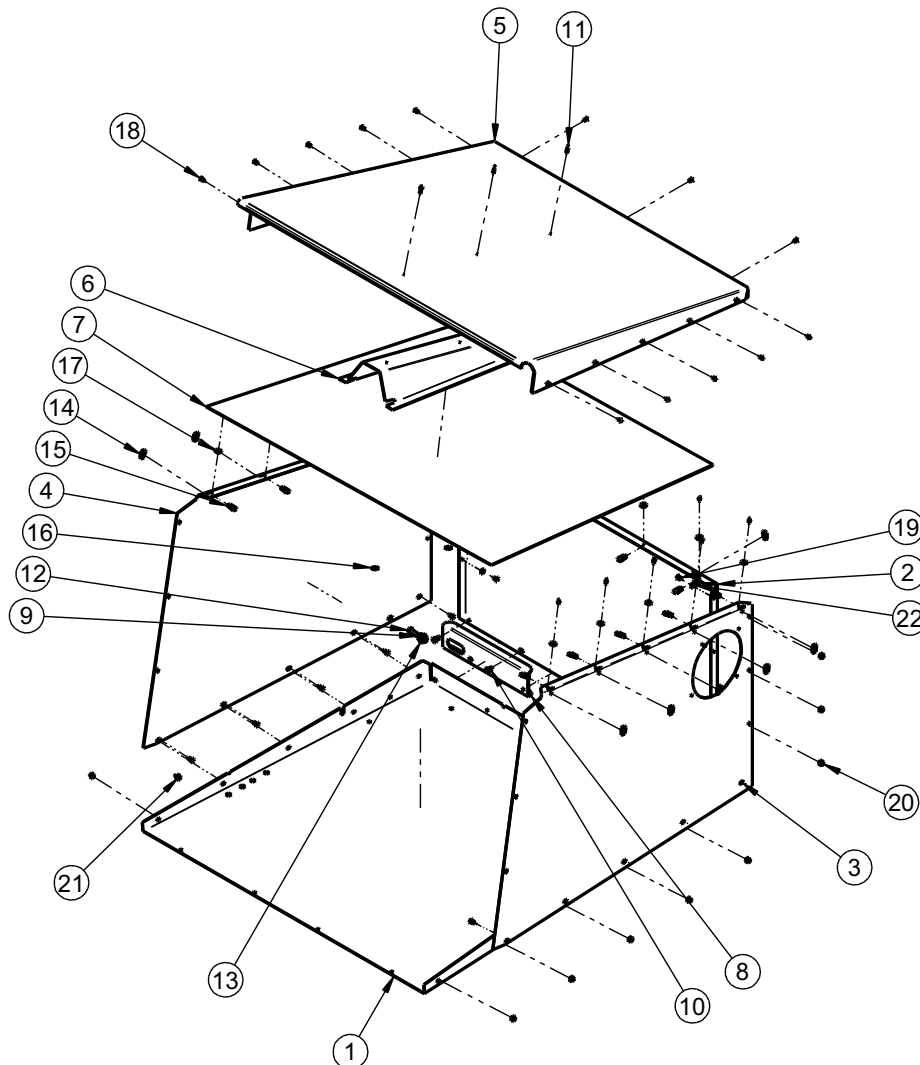
A2041 - 24 Cu. Ft. Box (Bottom)

Item #	Part #	Desc.	Qty.
1	B1833	BOX BASE FRAME	1
2	C0042	BOX BOTTOM	1
3	B1835	PIVOT PL.	1
4	B1832	BOX PIVOT BRKT.	2
5	B1805	LATCH HOOK PIVOT PL.	1
6	B0006	HANDLE SLIDE BRKT.	1
7	B0007	LATCH HANDLE MNT. BRKT	1
8	B1804	LATCH HOOK	1
9	K1410	3/8"-24 Hex Nut	1
10	S0155	Pivot Bushing	1
11	J0255	Extension Spring	1
12	B1840	LATCH ROD	1
13	K1182	3/8"-16 x 1" Carriage Bolt	6
14	K1215	3/8"-16 Flange Nut	7
15	K0124	5/8" X 2-1/2" Clevis Pin	2
16	K1193	3/8"-16 x 1-1/2" HHCS	1
17	K1142	5/16"-18 x 3/4" CARRIAGE BOLT	2
18	K1178	Flange Nut / 5/16"-18	4
19	K1153	HHCS / 5/16"-18 x 3/4"	2
20	k0086	Hair Pin Clip .125 OD x 2.50	2
21	K1196	3/8"-16 x 2 1/4" HHCS	1
22	K0047	3/8" Flat Washer 1.00 OD x .446 ID x .075 T	2
23	K1010	1/4"-20 x 5/8" Carriage Bolt	16
24	K1126	Flange Nut / 1/4"-20	15
25	K0048	3/8" Lock Washer	1



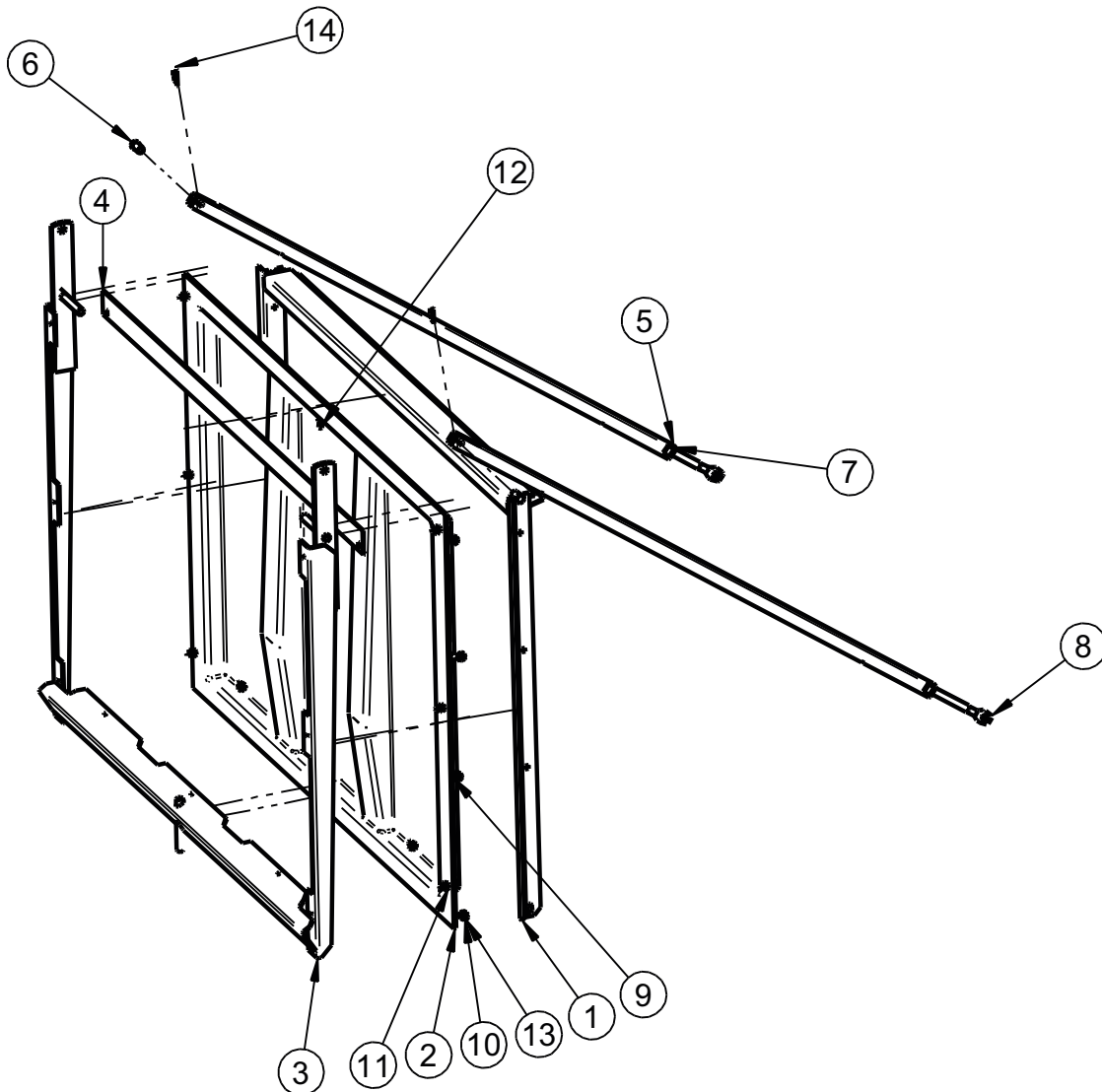
A2041 - 24 Cu. Ft. Box (Top)

Item #	Part #	Desc.	Qty.
1	C0042	BOX BOTTOM	1
2	C0045	BOX BACK	1
3	C0043	BOX RIGHT SIDE	1
4	C0044	BOX LEFT SIDE	1
5	C0041	BOX TOP	1
6	C0039	Screen Support	1
7	B8001	SCREEN	1
8	B0007	LATCH HANDLE MNT. BRKT	1
9	K1215	3/8"-16 Flange Nut	2
10	K1142	5/16"-18 x 3/4" CARRIAGE BOLT	2
11	K1092	#10-12 x 3/4" Blunt Tip SMS	3
12	K1196	3/8"-16 x 2 1/4" HHCS	1
13	K0047	3/8" Flat Washer 1.00 OD x .446 ID x .075 T	1
14	K0028	Tinnerman Clip / Small	13
15	K0068	Tinnerman Clip / Large	15
16	K0029	#10-12 FLAT TINNERMAN NUT 3/4" x 1/2"	3
17	K0037	Flat Washer / 1/4" (.75 OD x .312 ID x .060 T)	15
18	K1096	#10-12 x 1/2" Tinnerman Screw	28
19	K1005	1/4"-20 x 1/2" CARRIAGE BOLT	6
20	K1126	Flange Nut / 1/4"-20	20
21	K1010	1/4"-20 x 5/8" Carriage Bolt	14
22	K0044	I/T Tooth Lock Washer / 5/16"	6
23*	C1184	Fill Gauge Plate	1
24*	K1178	Flange Nut / 5/16"-18	2



**A2041 - 24 Cu. Ft. Box
(Front)**

Item #	Part #	Desc.	Qty.
1	A0331	BOX OPENING FRAME	1
2	V1154	DOOR	1
3	A0330	DOOR FRAME ASSY.	1
4	B1834	UPPER DOOR MEMBER	1
5	B1596	DOOR LINKAGE	2
6	K1418	Linkage Pin	2
7	K1422	Door Linkage Nut 1/2"-13	2
8	K1435	Adjustment Screw	2
9	K1005	1/4"-20 x 1/2" Carriage Bolt	3
10	K1126	Flange Nut 1/4"-20	14
11	K1131	1/4"-20 x 5/8" Phillips Flat Head Machine Screw	8
12	K1136	Flat Head MS Screw 1/4"-20 x 1"	1
13	K1010	1/4"-20 x 5/8" Carriage Bolt	1
14	K1437	Rue Ring Cotter Pin	2

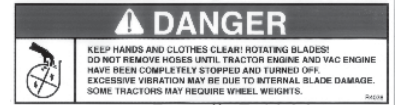
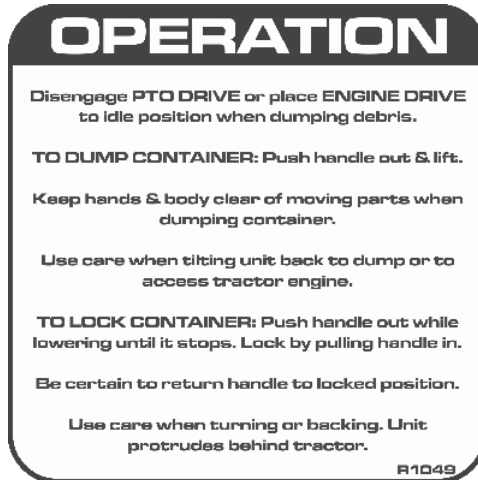


SAFETY DECALS

To promote safe operation, PECO supplies safety decals on all products manufactured. Damage can occur to safety decals either through shipment, use or reconditioning. Contact your local Service Center for replacement decals.



Part #: R1050



Part #: R4028



Part #: R1051



Part #: R1054



Part #: R1053



Part #: R4054



Part #: R1057



Part #: R4008



Part #: R1070



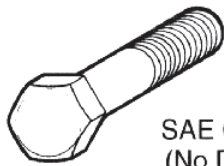
Part #: R4015

TORQUE SPECIFICATIONS

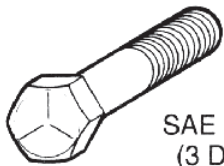
Proper torque for American fasteners used on Peco equipment.
Recommended Torque in Foot Pounds (Newton Meters).*

AMERICAN

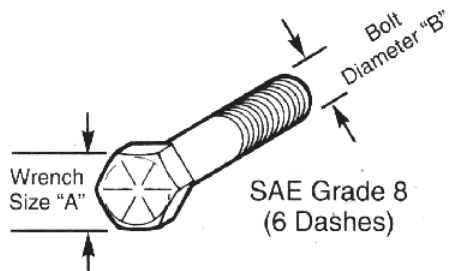
Bolt Head Markings



SAE Grade 2
(No Dashes)



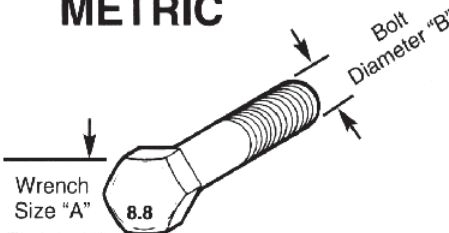
SAE Grade 5
(3 Dashes)



SAE Grade 8
(6 Dashes)

WRENCH SIZE (IN.) "A"	BOLT DIAMETER (IN.) "B" AND THREAD SIZE	SAE GRADE 2	SAE GRADE 5	SAE GRADE 8
7/16	1/4 - 20 UNC	6 (7)	8 (11)	12 (16)
7/16	1/4 - 28 UNF	6 (8)	10 (13)	14 (18)
1/2	5/16 - 18 UNC	11 (15)	17 (23)	25 (33)
1/2	5/16 - 24 UNF	13 (17)	19 (26)	27 (37)
9/16	3/8 - 16 UNC	20 (27)	31 (42)	44 (60)
9/16	3/8 - 24 UNF	23 (31)	35 (47)	49 (66)
5/8	7/16 - 14 UNC	32 (43)	49 (66)	70 (95)
5/8	7/16 - 20 UNF	36 (49)	55 (75)	78 (106)
3/4	1/2 - 13 UNC	49 (66)	76 (103)	106 (144)
3/4	1/2 - 20 UNF	55 (75)	85 (115)	120 (163)
7/8	9/16 - 12 UNC	70 (95)	109 (148)	153 (207)
7/8	9/16 - 18 UNF	79 (107)	122 (165)	172 (233)
15/16	5/8 - 11 UNC	97 (131)	150 (203)	212 (287)
15/16	5/8 - 18 UNF	110 (149)	170 (230)	240 (325)
1-1/8	3/4 - 10 UNC	144 (195)	266 (360)	376 (509)
1-1/8	3/4 - 16 UNF	192 (260)	297 (402)	420 (569)
1-5/16	7/8 - 9 UNC	166 (225)	430 (583)	606 (821)
1-5/16	7/8 - 14 UNF	184 (249)	474 (642)	668 (905)
1-1/2	1 - 8 UNC	250 (339)	644 (873)	909 (1232)
1-1/2	1 - 12 UNF	274 (371)	705 (955)	995 (1348)
1-1/2	1 - 14 UNF	280 (379)	721 (977)	1019 (1381)
1-11/16	1-1/8 - 7 UNC	354 (480)	795 (1077)	1288(1745)
1-11/16	1-1/8 - 12 UNF	397 (538)	890 (1206)	1444 (1957)
1-7/8	1-1/4 - 7 UNC	500 (678)	1120 (1518)	1817 (2462)
1-7/8	1-1/4 - 12 UNF	553 (749)	1241 (1682)	2013 (2728)
2-1/16	1-3/8 - 6 UNC	655 (887)	1470 (1992)	2382 (3228)
2-1/16	1-3/8 - 12 UNF	746 (1011)	1672 (2266)	2712 (3675)
2-1/4	1-1/2 - 6 UNC	870 (1179)	1950 (2642)	3161 (4283)
2-1/4	1-1/2 - 12 UNF	979 (1327)	2194 (2973)	3557 (4820)

METRIC



Numbers appearing on bolt heads indicate ASTM class.

Proper torque for metric fasteners used on Peco equipment.
Recommended torque in foot pounds (newton Meters).*

WRENCH SIZE (mm) "A"	BOLT DIA. (mm) "B"	ASTM 4.6	ASTM 8.8	ASTM 9.8	ASTM 10.9
8	5	1.8 (2.4)		5.1 (6.9)	6.5 (8.8)
10	6	3 (4)		8.7 (12)	11.1 (15)
13	8	7.3 (10)		21.1 (29)	27 (37)
16	10	14.5 (20)		42 (57)	53 (72)
18	12	25 (34)	74 (100)	73 (99)	93 (126)
21	14	40 (54)	118 (160)	116 (157)	148 (201)
24	16	62 (84)	167 (226)	181 (245)	230 (312)
30	20	122 (165)	325 (440)		449 (608)
33	22		443 (600)		611 (828)
36	24	211 (286)	563 (763)		778 (1054)
41	27		821 (1112)		1138 (1542)
46	30	418 (566)	1119 (1516)		1547 (2096)

*Use 75% of the specified torque value for plated fasteners. Use 85% of the specified torque values for lubricated fasteners.

Troubleshooting

2017 (v1.0)

Collection System Performance

Problem	Possible Cause	Corrective Action
Abnormal Vibration	<ul style="list-style-type: none"> • Cutting blades are bent or unbalanced • Loose blower pulley or pulley assembly • Impeller blade out of balance 	<ul style="list-style-type: none"> • Install new cutting blade • Tighten the pulley • Contact dealer to replace
Reduced collection system performance	<ul style="list-style-type: none"> • Low engine speed • Plugged screen • Loose belt • Full collection bags 	<ul style="list-style-type: none"> • Always operate collection system at full throttle • Remove debris, leaves, or grass clippings from the screen • Replace/tighten belt • Empty the collection bags
Blower and hoses plugging too frequently	<ul style="list-style-type: none"> • Collection bags are too full • Low engine speed • Grass is too wet • Grass is too long • Ground speed is too fast • Worn belt • Loose belt 	<ul style="list-style-type: none"> • Dump more frequently • Always operate collection system at full throttle • Cut grass when it is dry • Cut the grass several times • Drive slower at full throttle • Replace belt • Adjust the pulley and tighten belts
Debris blowout	<ul style="list-style-type: none"> • Collection bags are too full • Plug/clog in the collection system • Ground speed is too fast 	<ul style="list-style-type: none"> • Dump more frequently • Clean the collection system • Drive more slowly at full throttle
Impeller doesn't rotate freely	<ul style="list-style-type: none"> • Plug in the blower housing • Worn impeller blade • Shaft bearings bad/failing 	<ul style="list-style-type: none"> • Clean the blower housing • Contact dealer to replace • Contact dealer to replace

NOTES



New PECO, Inc.
10 Walden Dr | Arden, North Carolina 28704
Phone: 1-800-438-5823 | 828-684-1234
Fax: 828-684-0858
Email: peco@lawnvac.com
Website: www.lawnvac.com