



**Unit Model #: 38131508 / 07131501**

**Mower:** Dixie Chopper BlackHawk HP / Jacobsen ZT600

**Owner's Manual:** Q0515

**Mower Type:** 2248KW, 2548KOE, 2454KW, 2554KOE, 2460KW & 2560KOE

**Deck Size:** 48", 54" & 60"

**Vac Type:** 15 Cubic Foot Pro 3 Bagger

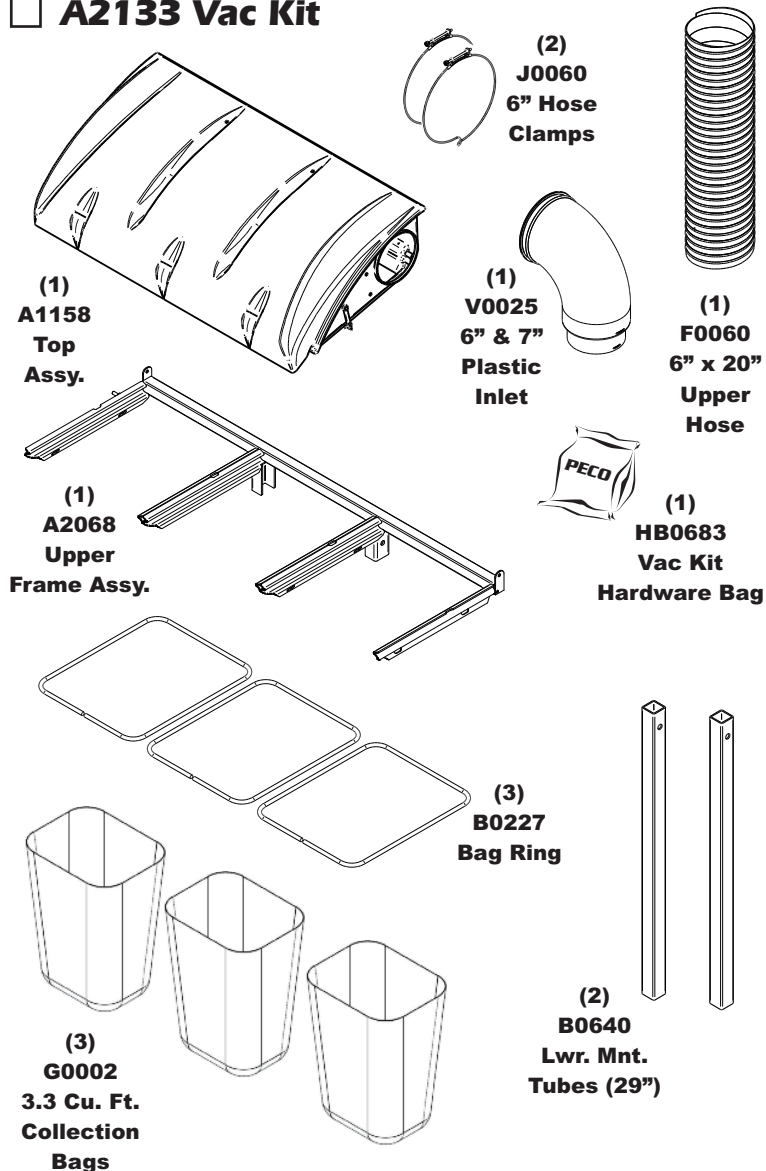
**Deck Type:**

**Drive Type:** PTO Drive

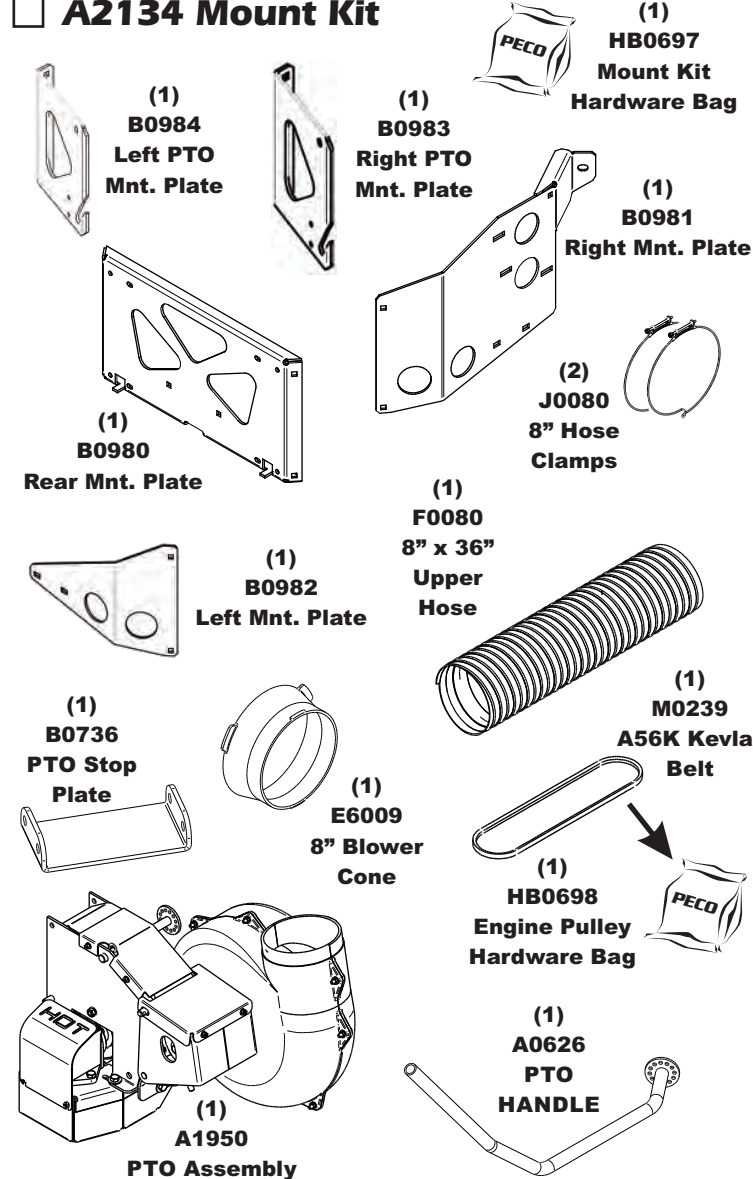
**Revision #:**

**Fits Year(s):** 2016 & Newer

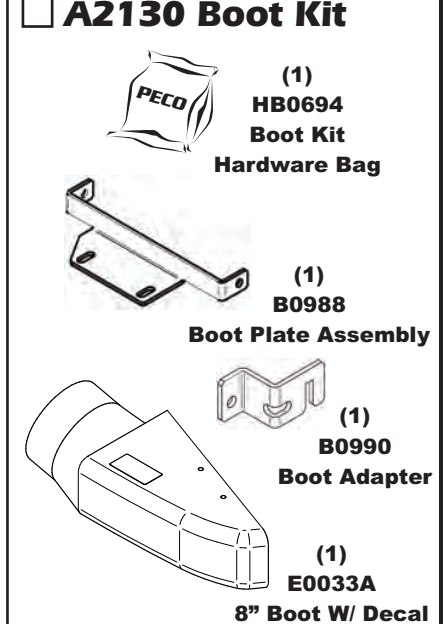
**A2133 Vac Kit**



**A2134 Mount Kit**



**A2130 Boot Kit**



**A2131 Weight Kit**

