



**Unit Model #: 59A30046150 (21120902)**

**Mower & Type:** Cub Cadet Pro Z 100 Series

**Mower Models:** Pro Z 148S EFI, Pro Z 154S EFI, Pro Z 160S EFI, Pro Z 148L EFI, Pro Z 154L EFI, Pro Z 160L EFI

**Vac Serial Range:** 2E226XP0001 & Up

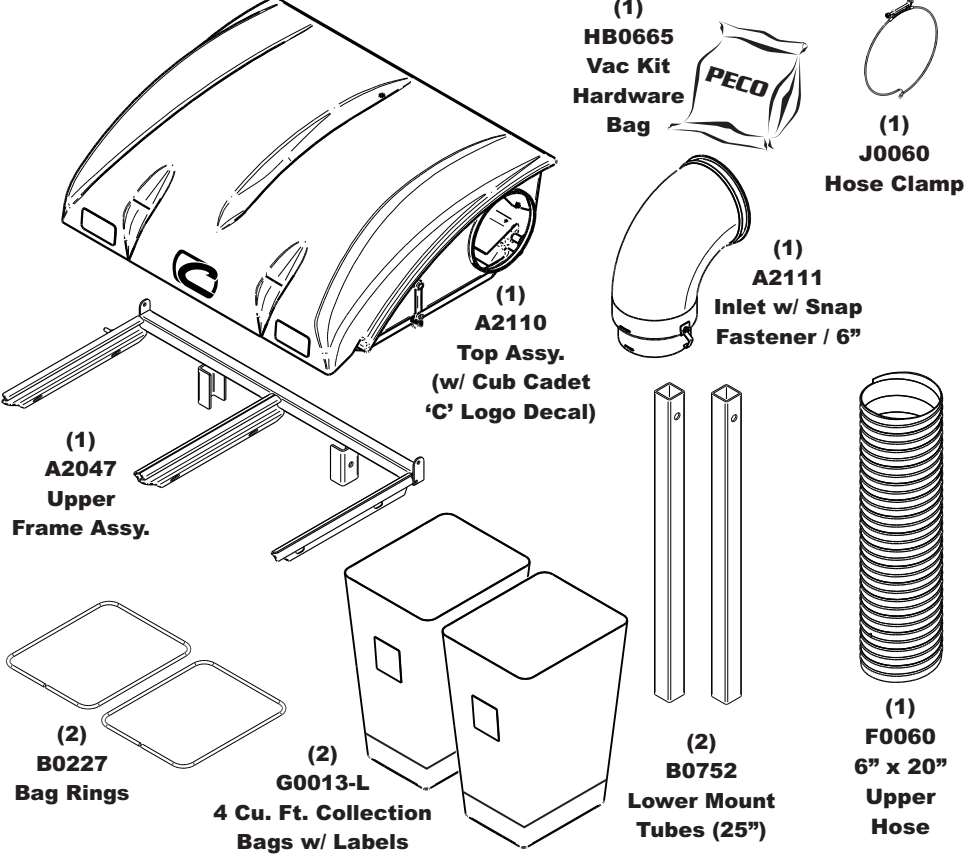
**Owner's Manual:** Q0506

**Vac/Drive Type:** P2B+ (9 Cu. Ft.) PTO-X Driven

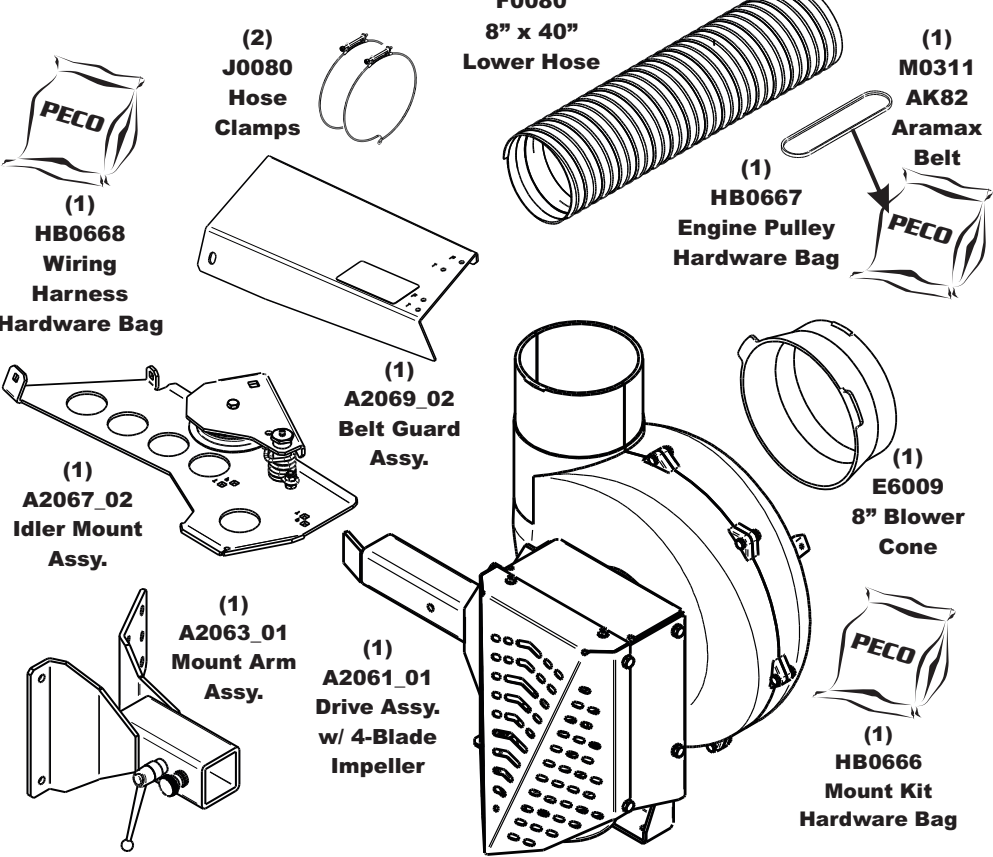
**Revision #:** 3 - Upd Weight Kit - JPS 4/17/2017

**Fits Year(s):** 2016 & Newer

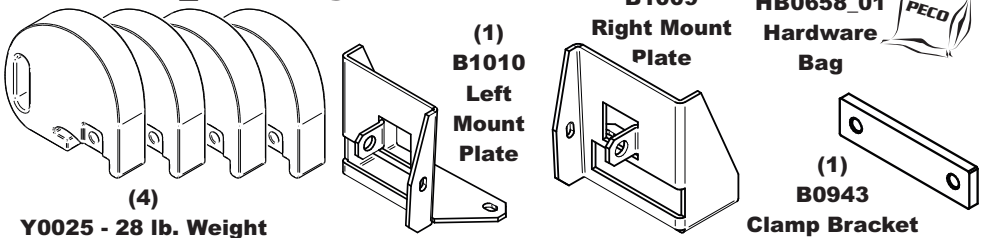
**A2064\_01 Vac Kit**



**A2065\_02 Mount Kit**



**A2042\_01 Weight Kit**



**A2066 Boot Kit**

