



Unit Model #: 06131513

Mower & Type: John Deere Z915B, Z920M, Z925M EFI, Z930M, Z930M EFI, Z930R, Z950R, Z960R

Engine Type: Kohler - CV740, FCV740, ECV749 / Kawasaki - FX730V, FX801V, FX850V, FX921V

Deck Size & Type: 60" 7 Iron II - Commercial

Vac Type: Pro 3 Bagger (15 Cu. Ft.)

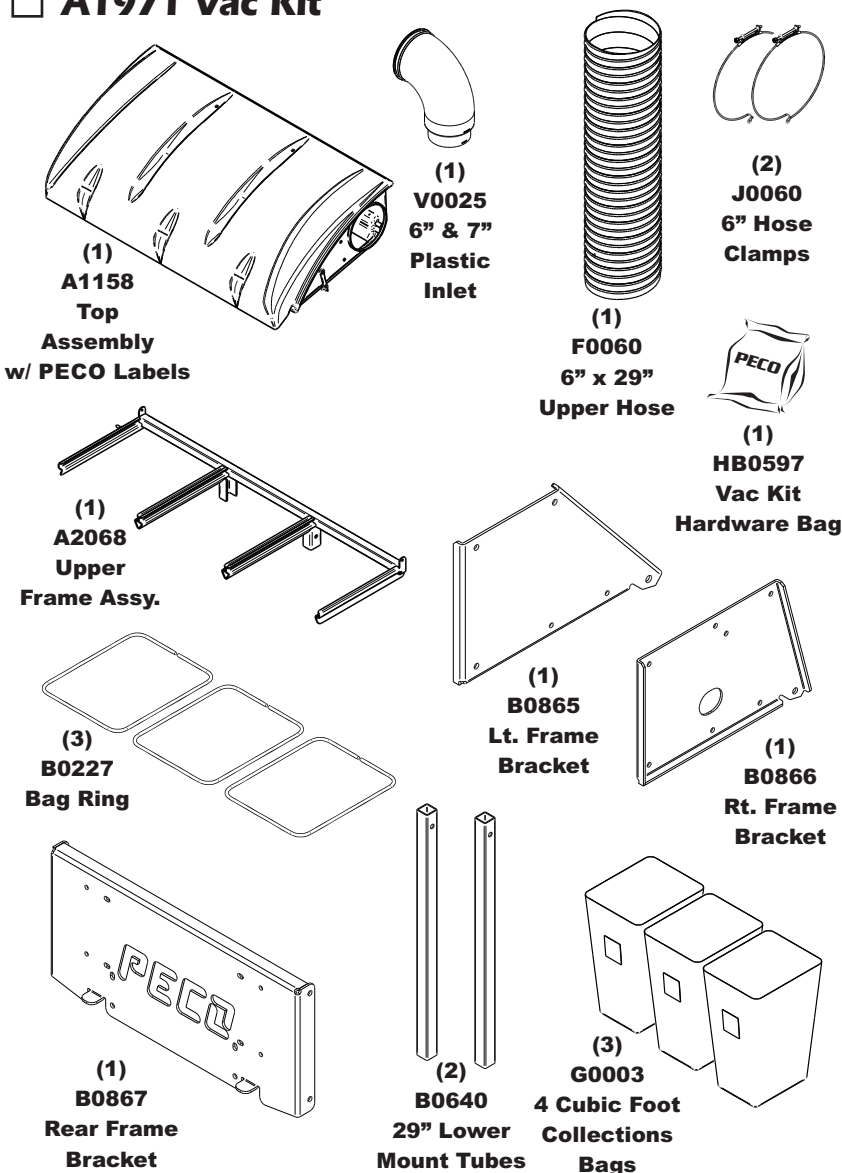
Owner's Manual: Q0477

Drive Type: Briggs & Stratton 6.5HP Vanguard

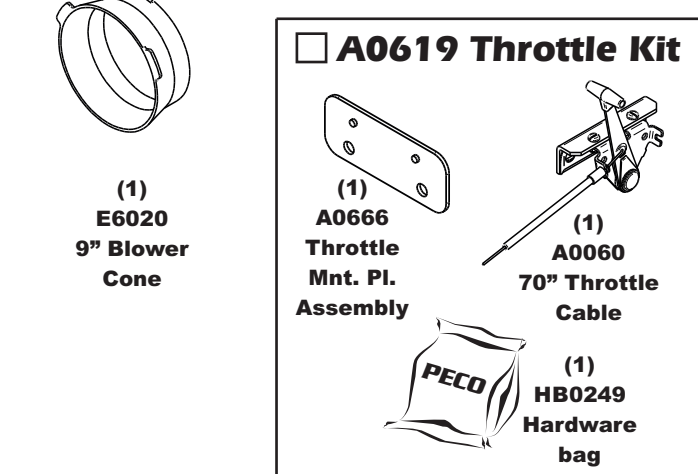
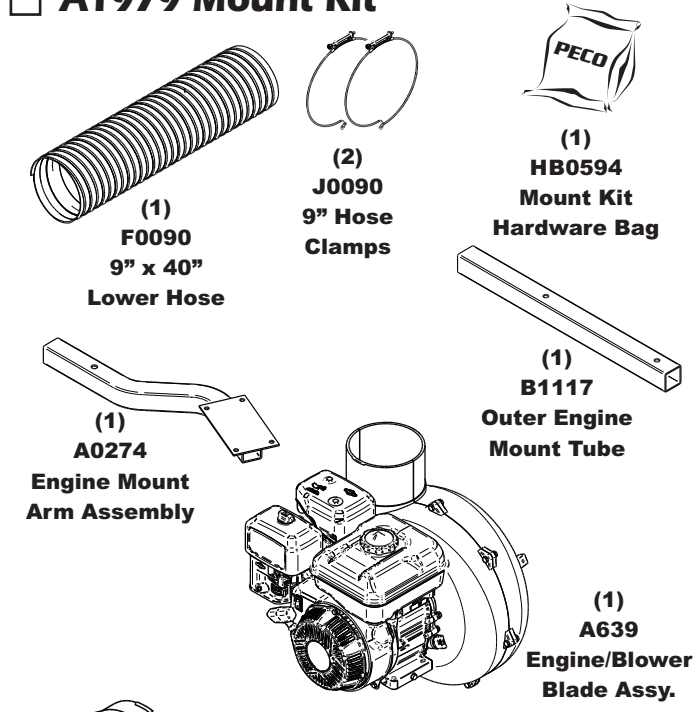
Revision #: Final Release 10/31/2013

Fits Year(s): 2013 & Newer

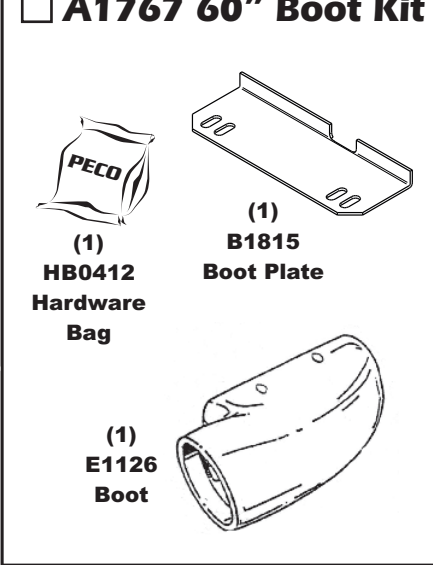
A1971 Vac Kit



A1979 Mount Kit



A1767 60" Boot Kit



A2140 Weight Kit

