



Unit Model #: 06131511

Mower & Type: John Deere Z915B, Z920M, Z920R, Z925M EFI, Z930R

Engine Type: Kohler - CV740, FCV740 / Kawasaki - FX730V, FX801V

Deck Size & Type: 54" 7 Iron II - Commercial

Vac Type: Pro 3 Bagger (15 Cu. Ft.)

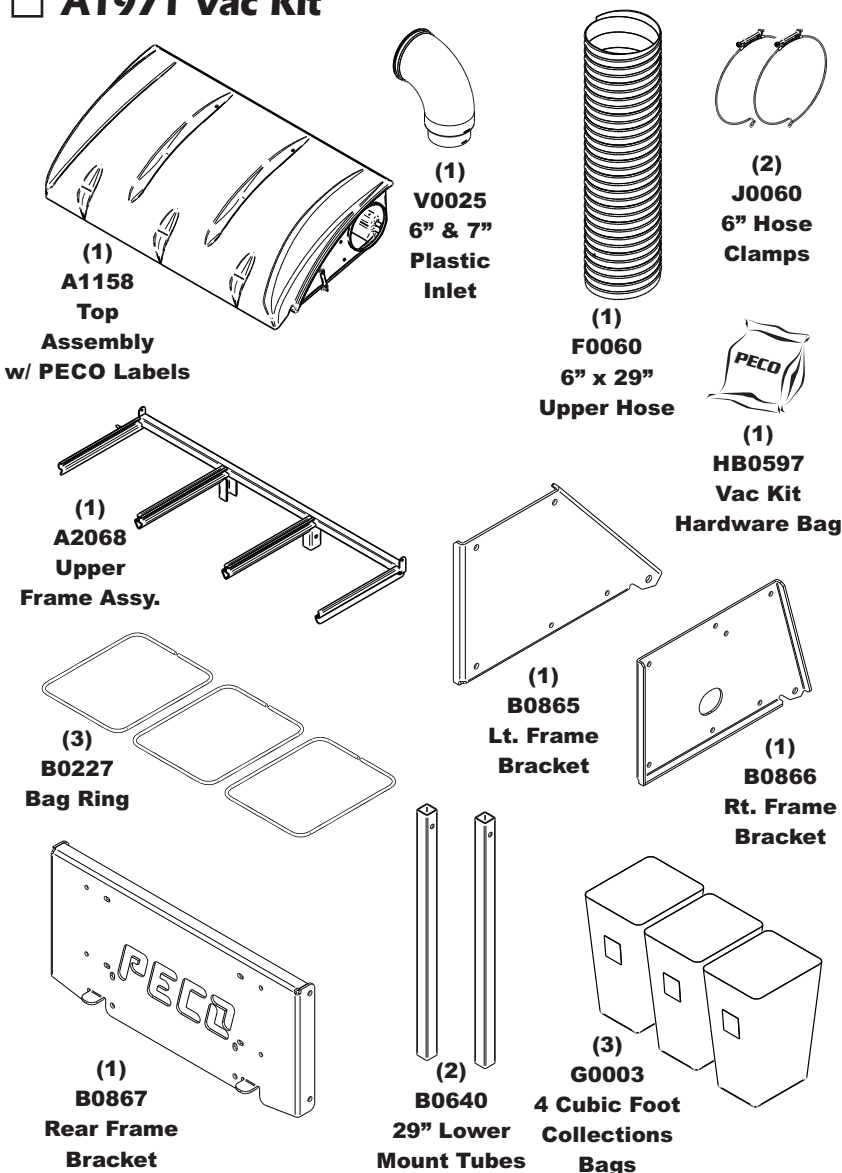
Owner's Manual: Q0477

Drive Type: Briggs & Stratton 900 Series

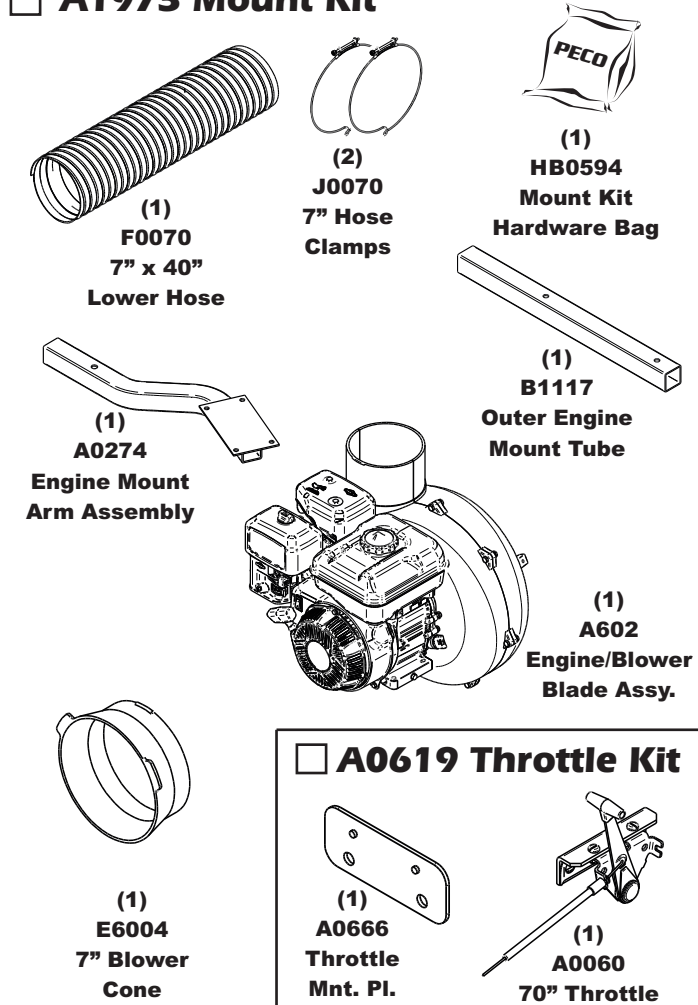
Revision #: Final Release 10/31/2013

Fits Year(s): 2013 & Newer

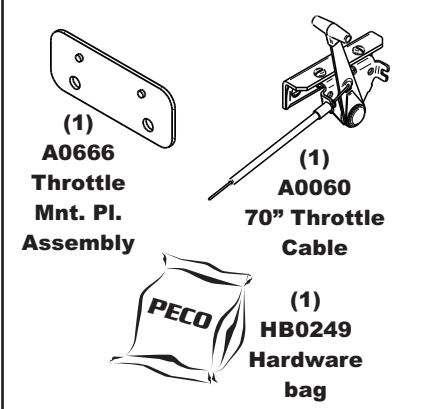
A1971 Vac Kit



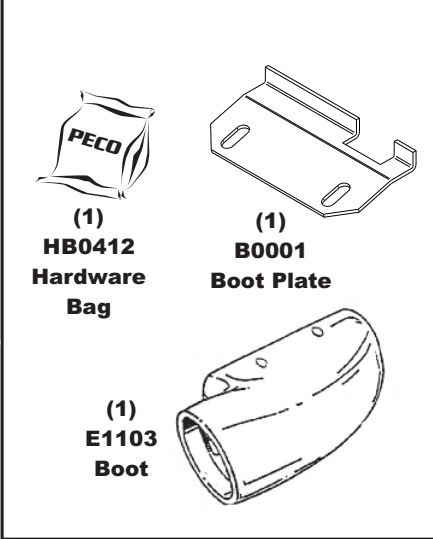
A1973 Mount Kit



A0619 Throttle Kit



A1771 54" Boot Kit



A2140 Weight Kit

