



**Unit Model #: 06621246**

**Mower & Type:** John Deere Z915B, Z920M, Z920R, Z925M EFI, Z930R

**Engine Type:** Kohler - CV740, FCV740 / Kawasaki - FX730V, FX801V

**Deck Size & Type:** 54" 7 Iron II - Commercial

**Vac Type:** Pro 12 DFS (12 Cu. Ft.)

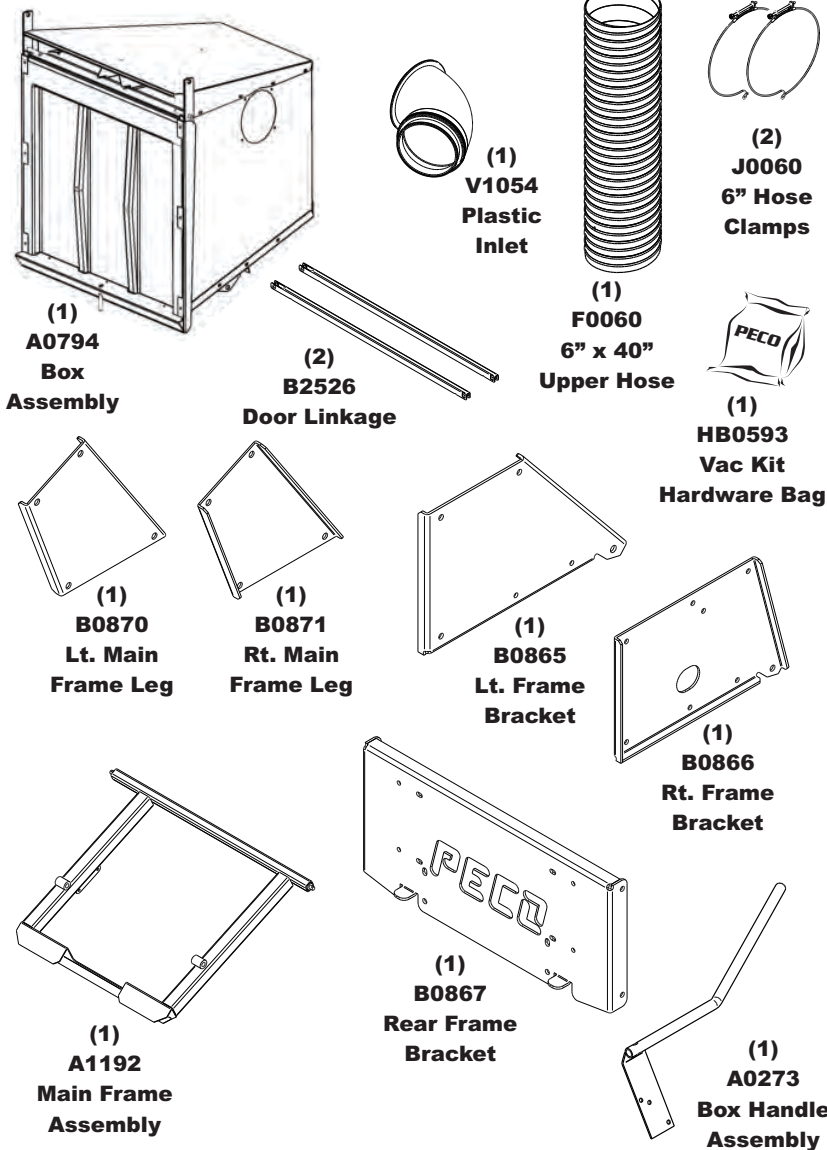
**Owner's Manual:** Q0476

**Drive Type:** Briggs & Stratton 900 Series

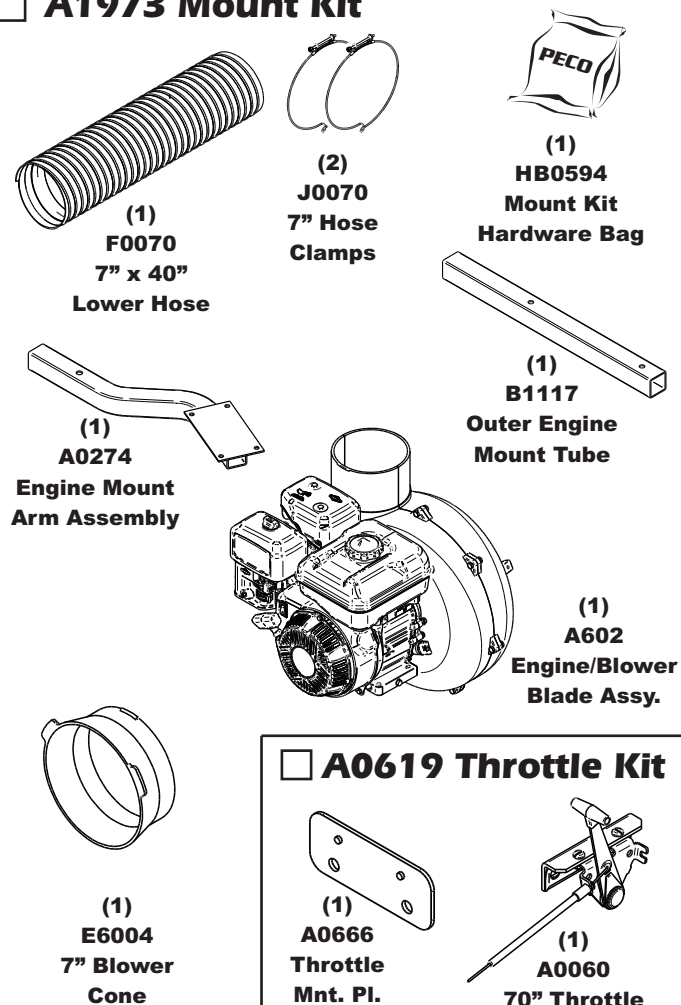
**Revision #:** Final Release 10/31/2013

**Fits Year(s):** 2013 & Newer

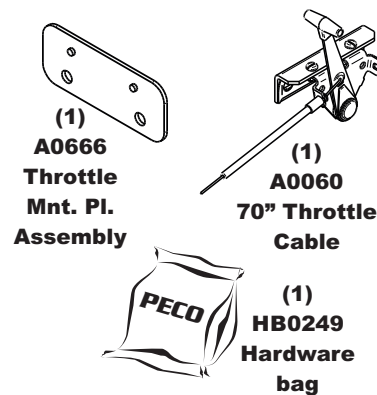
**A1967 Vac Kit**



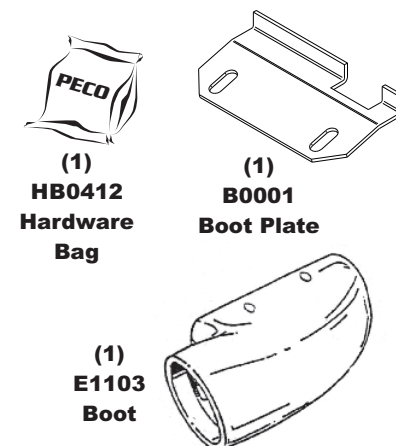
**A1973 Mount Kit**



**A0619 Throttle Kit**



**A1771 54" Boot Kit**



**A2140 Weight Kit**

