

THE ORIGINAL PECO POWER SPRAYER



OWNER'S MANUAL

MODEL 12006 & 12007HD
(Q0080)

Revision: 4 - 6/27/2016

PECO POWER SPRAYER

MODEL 12006 & 12007HD

TABLE OF CONTENTS

SECTION	PAGE	SECTION	PAGE
INTRODUCTION	2	SPRAYER CARE	6
FEATURES	2	STORAGE	6
DESCRIPTION.....	3	RETURNING PUMP/MOTOR FOR SERVICE	7
PARTS AND SERVICE	4	POWER SPRAYER PARTS LIST	8
ASSEMBLY INSTRUCTIONS	5	EXPLODED PARTS VIEW	9
OPERATION INSTRUCTIONS	6	SPRAYER WIRING DIAGRAM	10
BATTERY INFORMATION	6	SPRAYER WIRING KIT	11
		PECO LIMITED WARRANTY	12

Introduction

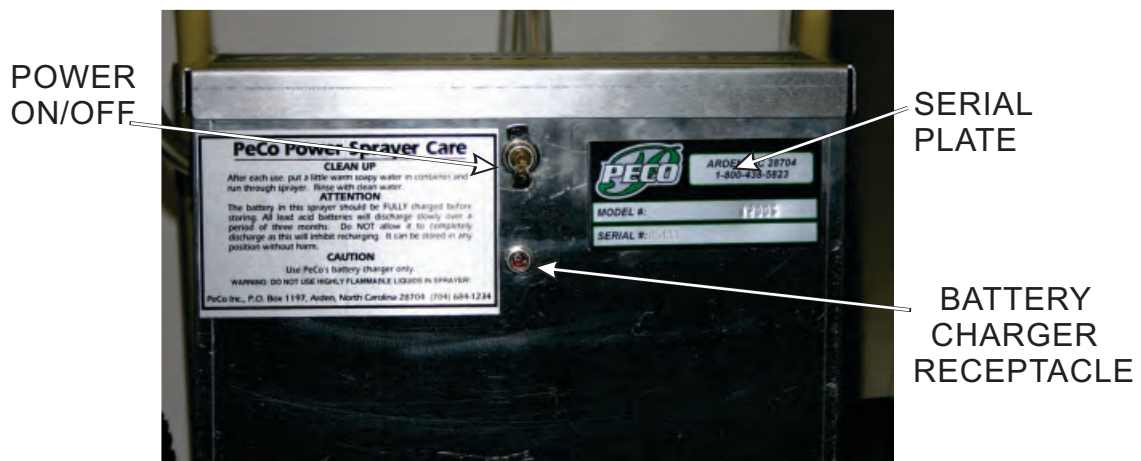
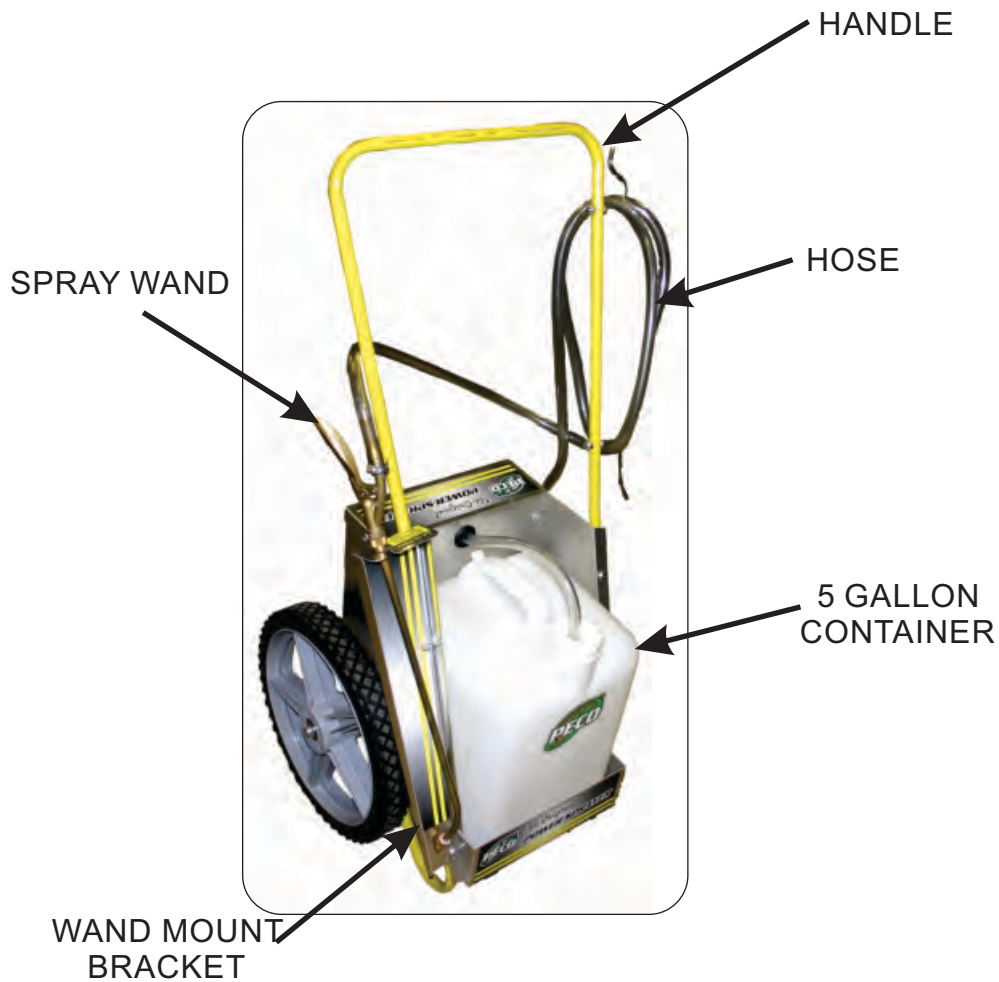
Thank you for purchasing the original PECO Power Sprayer. Your new PECO sprayer has been engineered and manufactured to PECO'S high standards for safety, quality, dependability and ease of operation. Our sprayer eliminates pumping or lugging a heavy tank on your back.

Features

- Self-contained 12-volt electric sprayer
 - 14" wheels and light-weight aluminum cart make it easy to maneuver over lawn and garden surfaces
- Electric pump runs up to 5 hours on a single charge
- Removable wide-mouth five gallon container makes mixing liquids easy
 - Spray adjusts from a fine mist to a 30 foot stream

DESCRIPTION

MODEL 12006 & 12007HD THE PECO POWER SPRAYER



PARTS AND SERVICE INFORMATION

PECO Power Sprayer owners should record the name and telephone number of their Service Center. Your Service Center will be happy to supply replacement parts, accessories, and do any service or repairs to your PECO Power Sprayer. If for any reason your Service Center is unable to service your PECO Power Sprayer or supply replacement parts, contact PECO and include the following information on the chart below.

PECO OUTDOOR POWER EQUIPMENT	
Model Number	<input type="text"/>
Serial Number	<input type="text"/>
Arden, North Carolina 28704	

Unit Model Number: _____

Unit Engine Size: _____

Unit Serial Number: _____

Date of purchase: ____ / ____ / ____

Dealer/Distributor Name: _____

Address: _____ **State:** _____ **Zip:** _____

Phone Number: _____

Address: New PECO, Inc.

10 Walden, Drive

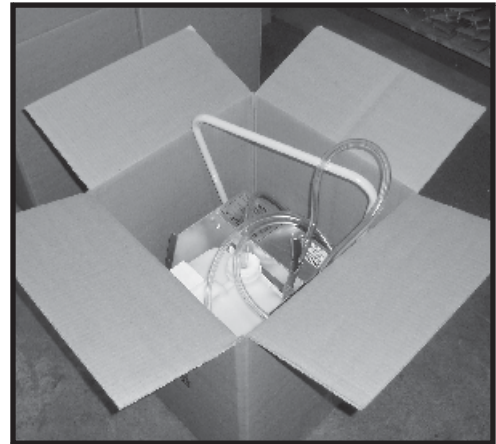
Arden, NC 28704

Phone #: (828) 684-1234 or Toll Free: (800) 438-5823

Email: peco@lawnvac.com

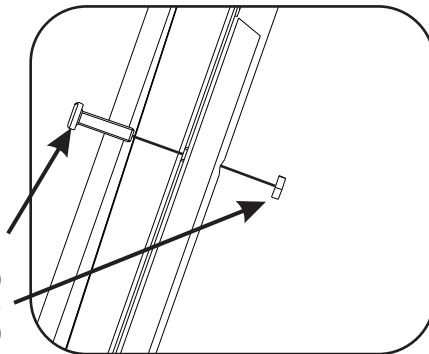
ASSEMBLY INSTRUCTIONS

Step 1. Remove contents from shipping container.
(Power Sprayer, Handle, and Manual)

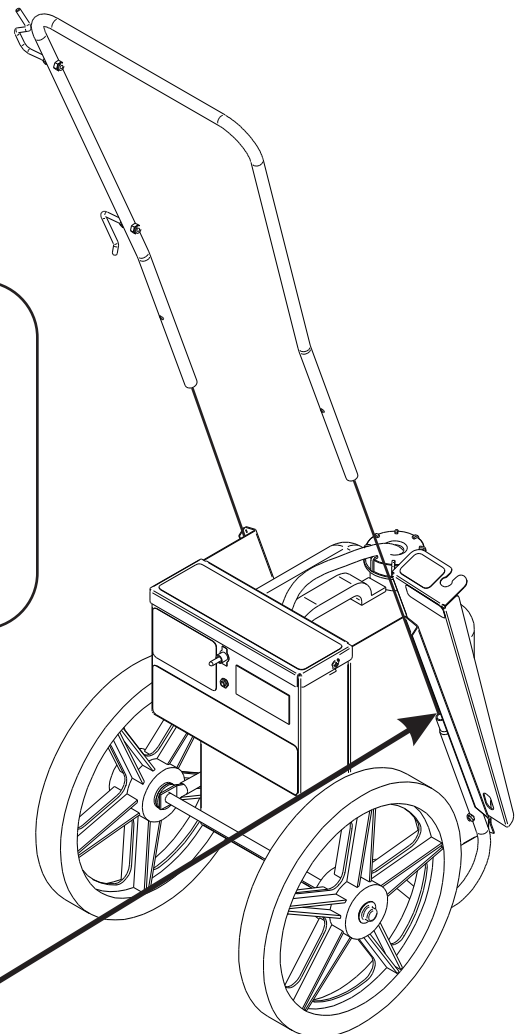


Step 2. Remove the hardware from the handle.
Insert the handle into the frame. Fasten the handle to the frame using (2) 1/4"-20 x 1" pan head machine screws P#(K0601) and (2) 1/4"-20 hex nuts P#(K1124) previously removed.

(2) 1/4"-20 x 1" PAN HEAD
MACHINE SCREWS P#(K0601)
AND (2) 1/4"-20 HEX NUTS
P#(K1124)



INSERT HANDLE HERE
AND FASTEN TO THE FRAME



OPERATION INSTRUCTIONS

After flipping the switch into the ON position, squeeze wand handle to allow air pressure in hose to be released (make sure the strainer is completely submerged). Hold wand handle until liquid begins to flow and all air bubbles are out of the hose. To adjust the spray into a stream, turn the nozzle tip counter-clockwise. To adjust the spray into a fine mist, turn the nozzle tip clockwise. Always turn the sprayer off before re-filling the container. Be sure to loosen or remove the vent cap from the smaller tank opening to avoid creation of a vacuum inside of tank.

BATTERY & CHARGER INFORMATION

Initial Charger Setup: Using a Phillips screwdriver, loosen each screw, positive(+) & negative(-), located on charger (Item #48, Page 10). Next, attach red positive(+) & black negative(-) leads of charger harness (Item #49, Page 10) to corresponding red positive(+) & black negative(-) screw on charger. Tighten screws to securely fasten leads.

Fully Charge Before First-Time Usage: Plug charger into wall socket and plug opposite connecting end into sprayer to begin battery charging. Notice a “Green” & “Red” light located on charger. Once correctly plugged in, a steady “Red” light designates battery charging and a steady “Green” light designates battery charged. Leave charger connected until a steady “Green” light is achieved before using sprayer.

The new battery charging system eliminates user error and will automatically stop charging once detecting battery is fully charged. Battery charging time will vary depending on power level remaining in battery. Once fully charged, the battery will last up to 5 hours before needing to be re-charged. Only use charger provided to prevent overheating and any permanent damage to the battery. The battery life span is around 200 charges.

SPRAYER CARE

Immediate cleaning and proper maintenance after each use will eliminate most sprayer failures. This sprayer is made of the most chemical resistant materials available, but care must be taken to ensure a long life. Many chemicals can deteriorate pump parts if not rinsed clean after each use. Which solution you use will depend on the pesticides used. Always check the pesticide label for cleaning instructions. Clean pump thoroughly with a cleaning solution for 3 minutes. Rinse with clean soapy water for 2 minutes to remove cleaning solution. **DO NOT USE BLEACH SOLUTION OR HIGHLY FLAMMABLE LIQUIDS SUCH AS GASOLINE OR PAINT THINNER IN SPRAYER.** Soluble powders and diluted liquids may be used in the sprayer. Wet powder solutions tend to come out of solution, coating the inside of the pump. Wet powders must be washed out very thoroughly. Over a period of time, most chemicals will separate and a build up in the pump. Chemicals are absorbed by plastic hoses and cannot be rinsed out after extended periods of time. Rinse thoroughly after each use.

STORAGE

Special care should be taken before storage of the sprayer. Fully re-charge the battery. Thoroughly rinse the pump, hoses and container with clean, soapy water.

RETURNING PUMP/MOTOR ASSEMBLY FOR WARRANTY OR REPLACEMENT PURCHASE

DO NOT ATTEMPT TO DISASSEMBLE THE PUMP. Internal parts are spring loaded and may be lost or damaged.

REMOVE THE PUMP AND MOTOR AS AN ASSEMBLY AS FOLLOWS:

1. Remove the pump lid by removing two screws shown.
2. Remove the hoses from the sprayer pump.
3. Remove the four bolts that hold pump/motor in box.
4. Disconnect the red and black wires.
5. Remove the pump/motor from the pump box.

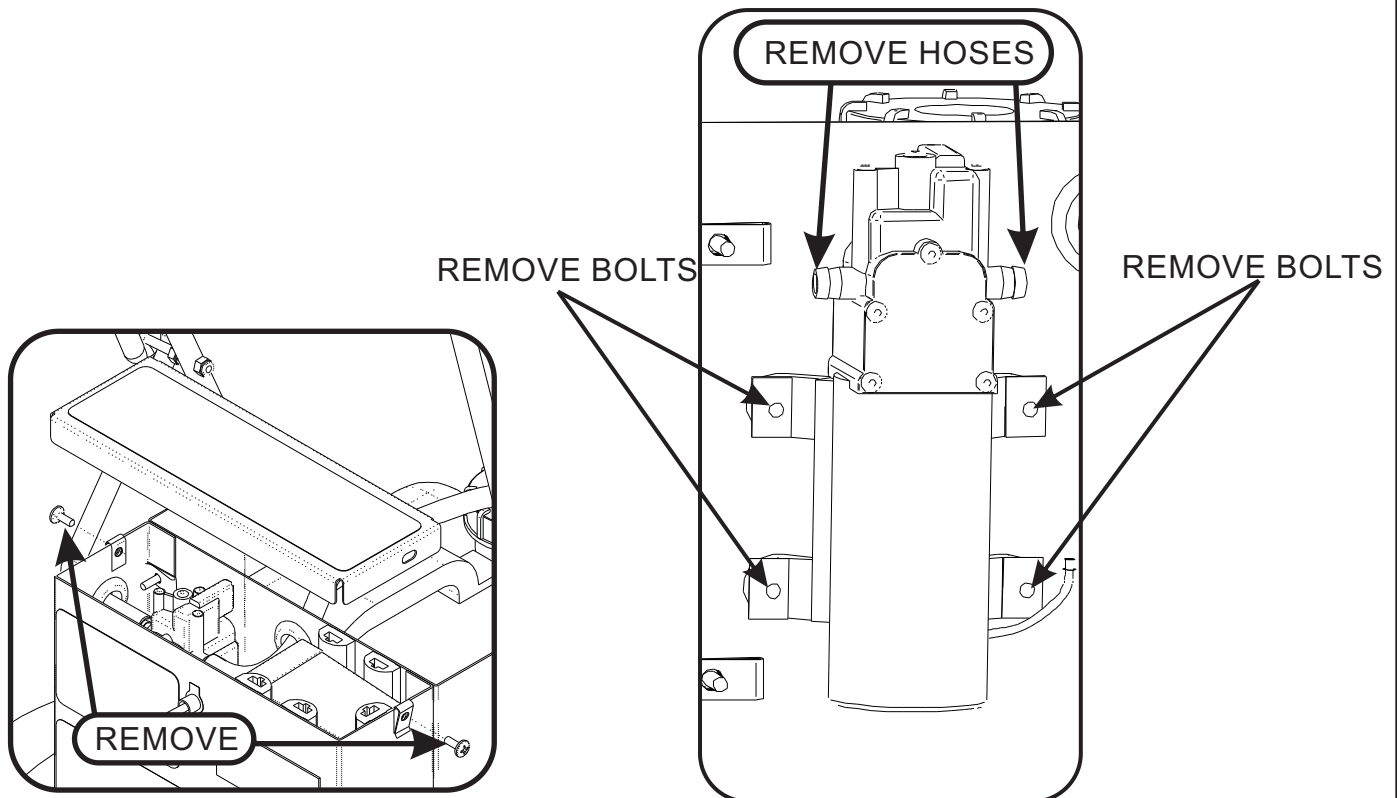
For Warranty:

Call 1-800-438-5823 to receive a **Return Authorization** before sending your pump back for service. (In N.C. call 828-684-1234)

Box your pump and motor assembly up and place the Return Authorization on the outside of the box and return VIA United Parcel Service, (not US Mail) to the following address:

New PECO, Inc.
10 Walden Drive
Arden, NC 28704

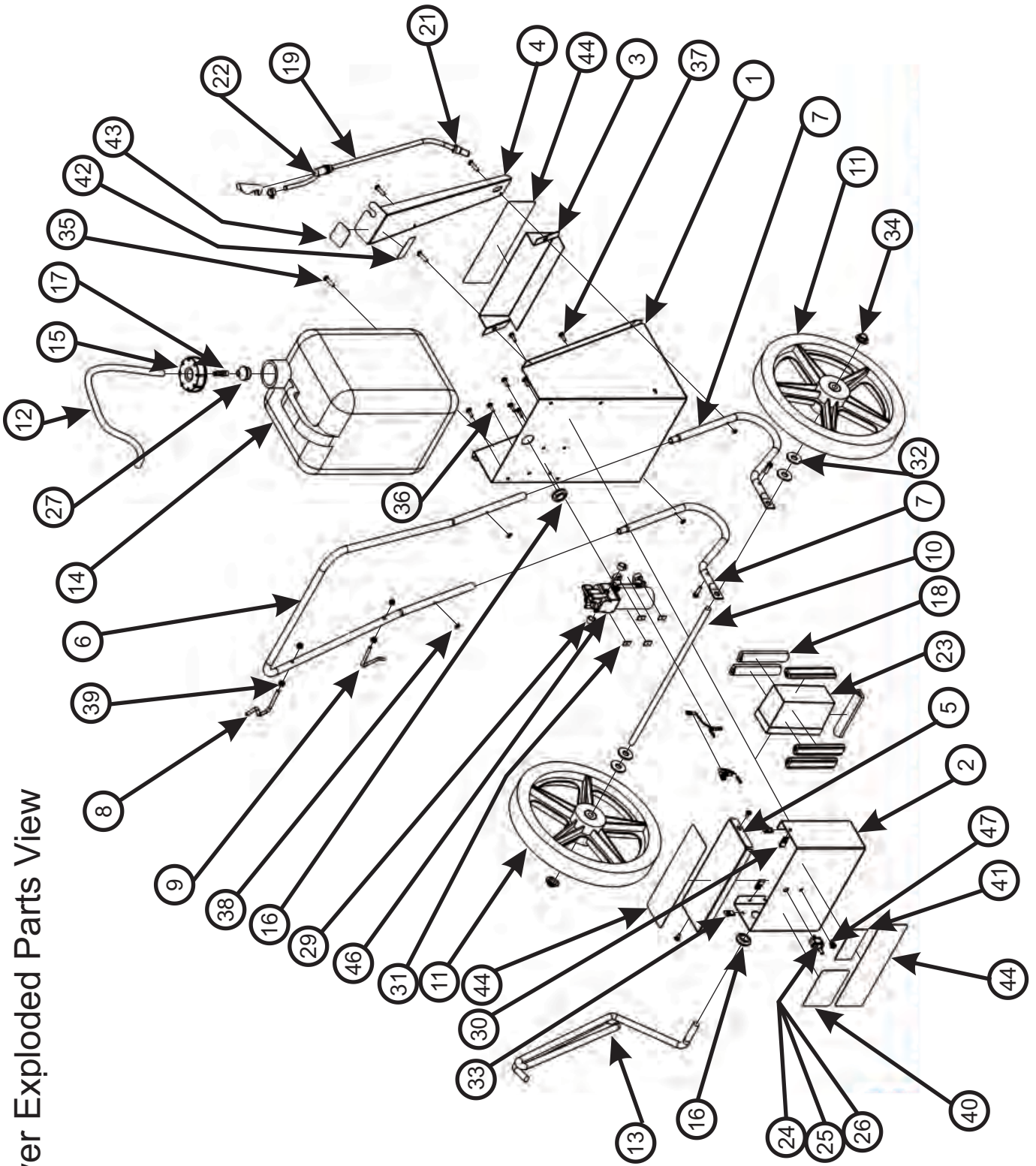
Failure to follow the above instructions may delay the inspection/replacement of your pump



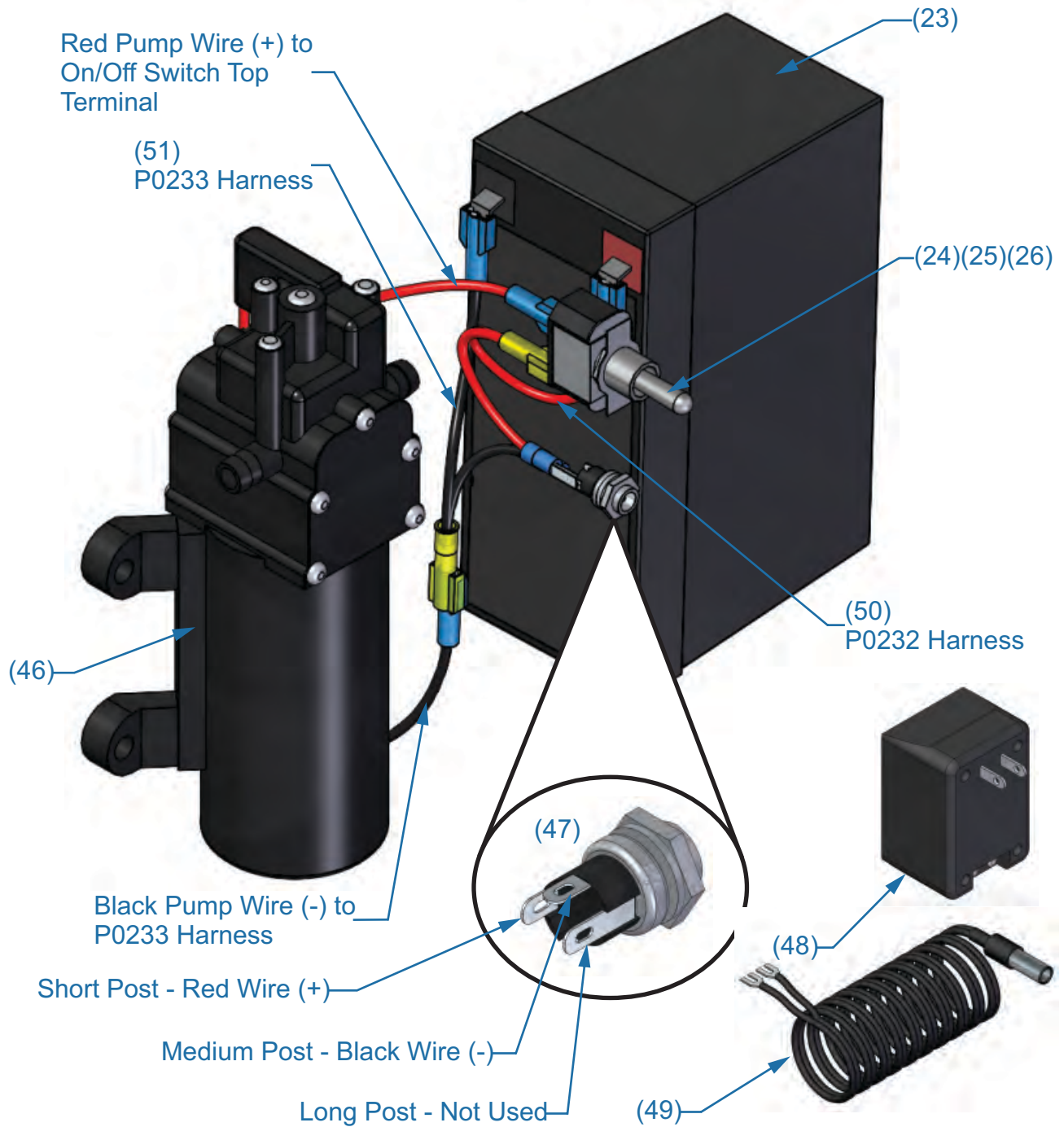
PECO POWER SPRAYER PARTS LIST

REF NO.	PART NO.	DESCRIPTION	QTY
01	C1173	SPRAYER MAIN FRAME BOX	01
02	C1175	SPRAYER BATTERY BOX	01
03	C1174	FRONT KICK PLATE	01
04	C0057	WAND MOUNT BRACKET	01
05	C1176	BATTERY BOX LID	01
06	B3182	SPRAYER HANDLE	01
07	B3183	AXLE LEG SUPPORTS	02
08	B0738	UPPER WAND HOSE HANGER	01
09	B0596	LOWER WAND HOSE HANGER	01
10	B4176	SPRAYER AXLE 1/2" x 16 1/4"	01
11	H4001	SPRAYER WHEEL	02
12	F4001	30 IN. HOSE	01
13	F4005	POWER SPRAYER HOSE 96 IN.	01
14	S0301	5 GALLON TANK	01
15	S0302	SPRAYER CAP LARGE	01
16	V0038	3/4" ID RUBBER GROMMET	02
17	V1022	HOSE ADAPTER	01
18	V0029	1" NEOPRENE SEAL / 5" LONG	06
19	J1301	SPRAYER WAND EXT. 18"	01
	P0231 (12007HD)	POLY SPRAYER WAND 18"	01
20	J1302	SPRAYER WAND EXT. 36"	01
21	J1310	WAND NOZZLE	01
	P0229 (12007HD)	POLY WAND NOZZLE	01
22	J1320	WAND HANDLE	01
	P0230 (12007HD)	POLY WAND HANDLE	01
23*	J1201	SPRAYER BATTERY	01
24*	J2001	TOGGLE SWITCH FOR SPRAYER	01
25*	J2004	ON-OFF FACE PLATE	01
26*	J2005	15/32"-32 HEX PANEL NUT	01
27	J1309	MESH STRAINER	01
29	J0129	THREADED HOSE CLAMP	04
30	K0028	TINNERMAN CLIP #14-20	04
31	K0029	TINNERMAN NUT	04
32	K0055	1/2" FLAT WASHER	04
33	K0068	TINNERMAN CLIP	02
34	K0200	1/2" PUSH NUT	02
35	K0601	PAN HEAD MACHINE SCREW	06
36	K1092	TINNERMAN SCREW 3/4"	04
37	K1096	TINNERMAN SCREW 1/2"	06
38	K1124	HEX HEAD NUT 1/4"-20	04
39	K1128	1/4"-20 NYLOC NUT	12
40	R4040	4.5" x 3" SPRAYER CARE DECAL	01
41	R1603	SERIAL NUMBER PLATE	01
42	R4027	PECO MADE IN THE U.S.A. LABEL	01
43	R4007	BATTERY CHARGE TIME LABEL	01
44	R1103	ORIGINAL POWER SPRAYER LABEL	03
46*	P0210	ELECTRIC SPRAYER PUMP	01
	P0228 (12007HD)	FLOJET ELECTRIC SPRAYER PUMP	01
47*	P0211	SPRAYER CHARGER PORT	01
48*	P0212	12V SPRAYER CHARGER	01
49*	P0213	SPRAYER CHARGER WIRE 72"	01
50*	P0232	WIRE HARNESS (+)	01
51*	P0233	WIRE HARNESS (-)	01

Power Sprayer Exploded Parts View



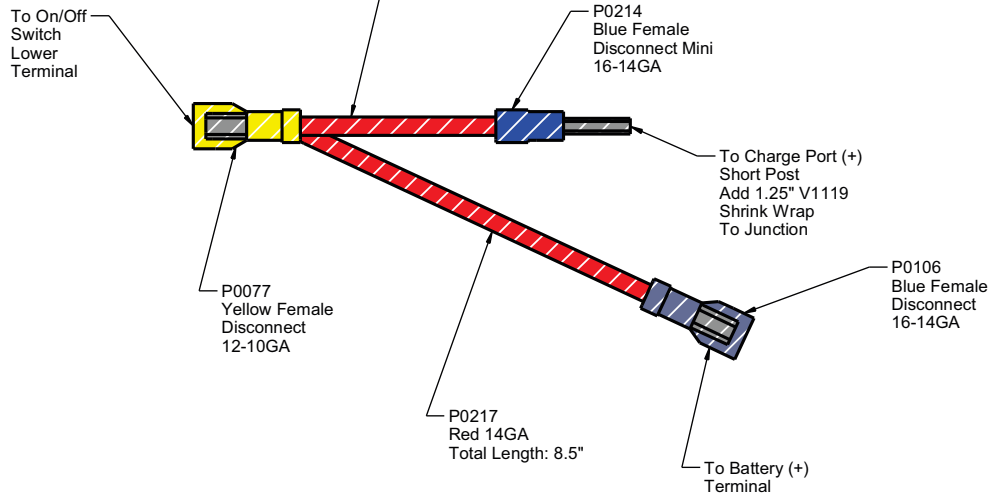
Sprayer Wiring Diagram



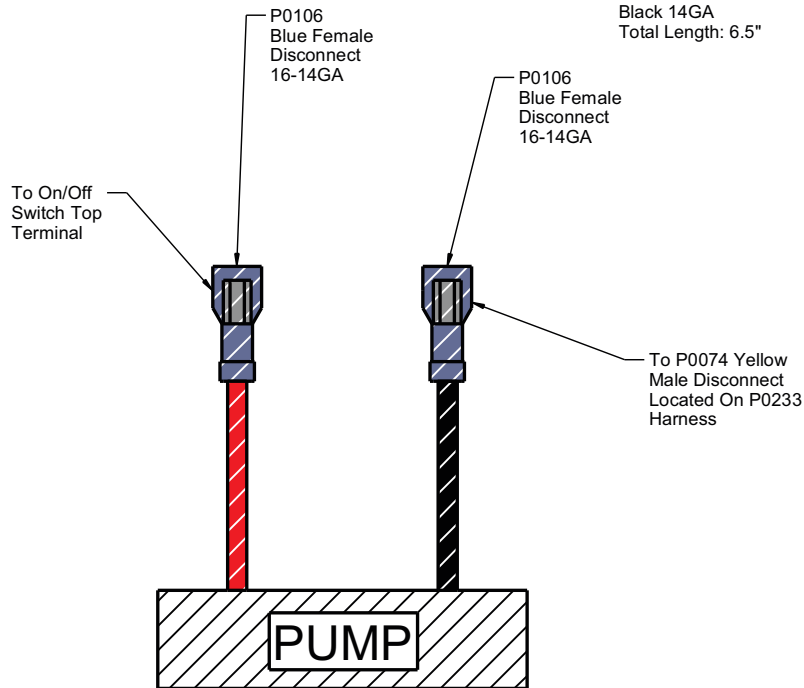
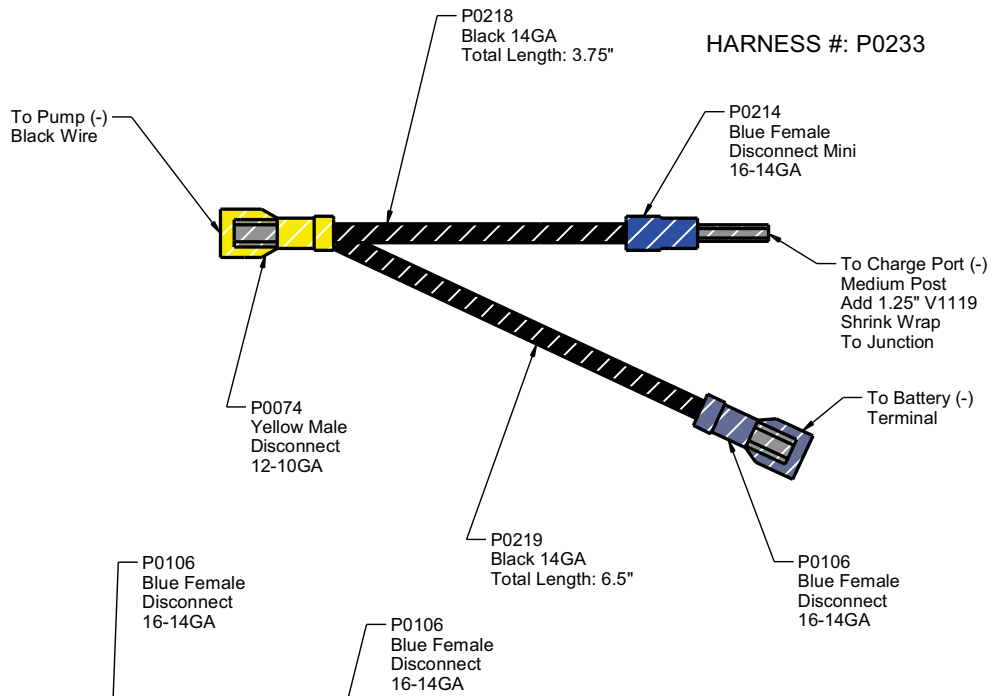
Ref. #	Part #	Description	Qty
23	J1201	SPRAYER BATTERY	01
24	J2001	TOGGLE SWITCH FOR SPRAYER	01
25	J2004	ON-OFF FACE PLATE	01
26	J2005	15/32"-32 HEX PANEL NUT	01
46	P0210	ELECTRIC SPRAYER PUMP	01
	P0228 (12007HD)	FLOWJET ELECTRIC SPRAYER PUMP	01
47	P0211	SPRAYER CHARGER PORT	01
48	P0212	12V CHARGER	01
49	P0213	CHARGER HARNESS (72" Long)	01
50	P0232	WIRE HARNESS (+)	01
51	P0233	WIRE HARNESS (-)	01

Sprayer Wire Harnesses

HARNESS #: P0232



HARNESS #: P0233



PECO LIMITED WARRANTY FOR NEW PRODUCTS

A. WHAT IS UNDER WARRANTY?

PECO extends the following warranties to the original purchaser of each new PECO consumer product subject to the following limitations.

1. PRODUCT WARRANTY: Any part of any consumer product, which is defective in material or workmanship as delivered to the purchaser will be repaired or replaced, as PECO elects, without charge for parts or labor, if the defect appears within 12 months from the date of delivery of the product to the original purchaser.

ALL DEFECTIVE PARTS MUST BE RETURNED TO PECO FOR INSPECTION TO DETERMINE VALIDITY OF WARRANTY CLAIMS. Freight and mailing will be borne by the customer.

2. PARTS REPLACED DURING WARRANTY: Any new PECO part which is furnished in performance of this warranty and is defective in material or workmanship as delivered to the purchaser will be repaired or replaced, as PECO elects, without charge if the defect appears within 90 days from the date of installation of such part or before the expiration of the original warranty period, whichever is later.

B. SECURING WARRANTY ADJUSTMENTS.

Call PECO for Return Authorization. Damaged or broken parts other than engines or batteries, must be returned to New PECO, Inc. 100 Airport Road, Arden, NC 28704 before any warranty adjustment can be authorized. At the time of requesting warranty adjustment, the purchaser must present evidence of the date of delivery of the product. The purchaser shall pay any charge for the product to and from Arden, NC.

C. ITEMS NOT COVERED BY PECO WARRANTY.

Engines and batteries attached to PECO products are covered under a separate warranty by the respective manufacturer.

D. UNAPPROVED ALTERATION OR MODIFICATION.

All obligations of New PECO, Inc. under this warranty shall be terminated if products are altered or modified in ways not approved by New PECO, Inc.

E. ACCIDENTS AND NORMAL MAINTENANCE.

The warranty covers only defective material and workmanship. It does not cover depreciation or damage caused by normal wear, accident, improper use or abuse of products. The cost of normal maintenance and normal replacement of service items such as belts, cutting blades, hoses, etc., which are not defective shall be paid for by the purchaser.

F. NO REPRESENTATIONS ADDITIONAL WARRANTIES, DISCLAIMER.

Neither New PECO, Inc. nor any company affiliated with it makes any warranties, representations or promises as to the quality of performance of its products other than those set forth herein. Except as described above, New PECO, Inc. makes no other warranties **AND SPECIFICALLY DISCLAIMS ANY AND ALL IMPLIED WARRANTIES OF FITNESS AND MERCHANTABILITY.**

G. ANY MACHINE USED FOR RENTAL PURPOSES ARE GUARANTEED FOR 45 DAYS FROM DATE OF ORIGINAL SALE ONLY.

H. REMEDIED EXCLUSIVE.

The only remedies the purchaser has in connection with the breach or performance of any warranty on New PECO, Inc. consumer products are set forth above. In no event will PECO be liable for special incidental or consequential damages.

1. NO SERVICE CENTER WARRANTY.

The selling Service Center makes no warranty on his own on any item warranted by New PECO, Inc. unless he delivers to purchaser a separate written warranty certificate specifically warranting the item. The dealer has no authority to make any representation or promise on behalf of PECO or to modify the terms of this warranty in any way.

NOTES



**10 Walden Drive
Arden, North Carolina 28704
(800) 438-5823 OR (828) 684-1234 FAX: (828) 684-0858
e-mail: peco@lawnvac.com
Website: www.lawnvac.com**