



**Unit Model #: 38131506**

**Mower:** Dixie Chopper

**Owner's Manual:** Q0463

**Mower Type:** Xcaliber 3374 & 4074

**Engine Type:** Generac 33HP & Kohler 40HP

**Deck Size:** 74"

**Vac Type:** 15 Cubic Foot Pro 3 Bagger

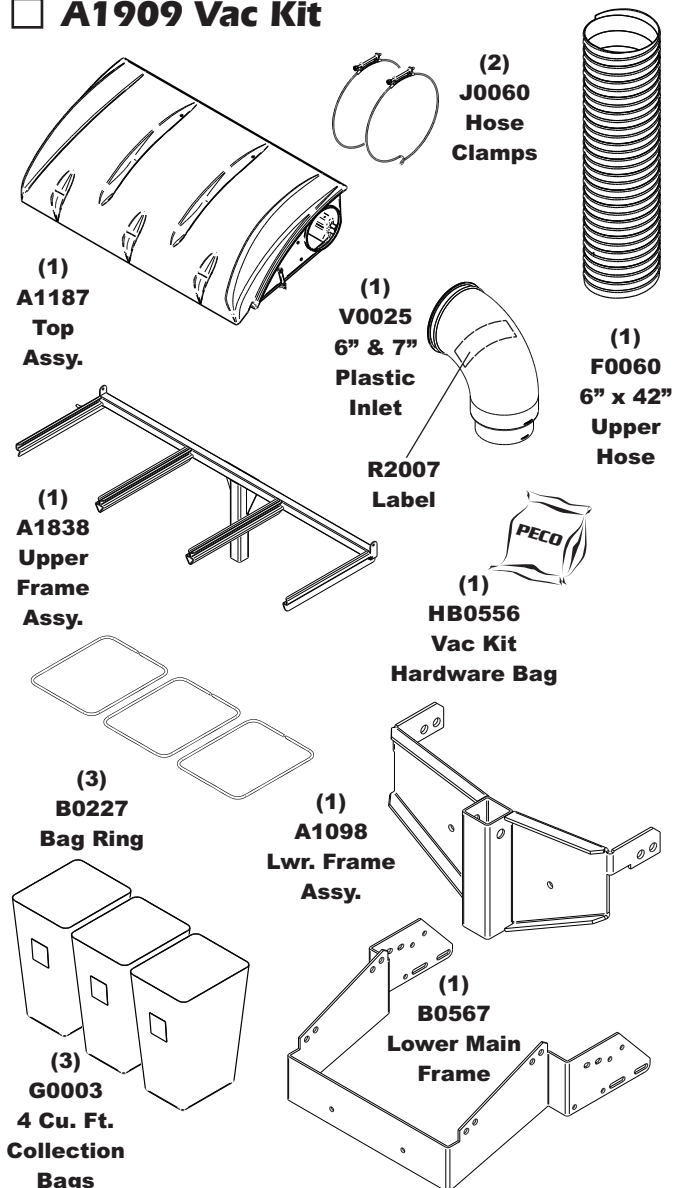
**Deck Type:**

**Drive Type:** 6.5H.P Briggs & Stratton Vanguard

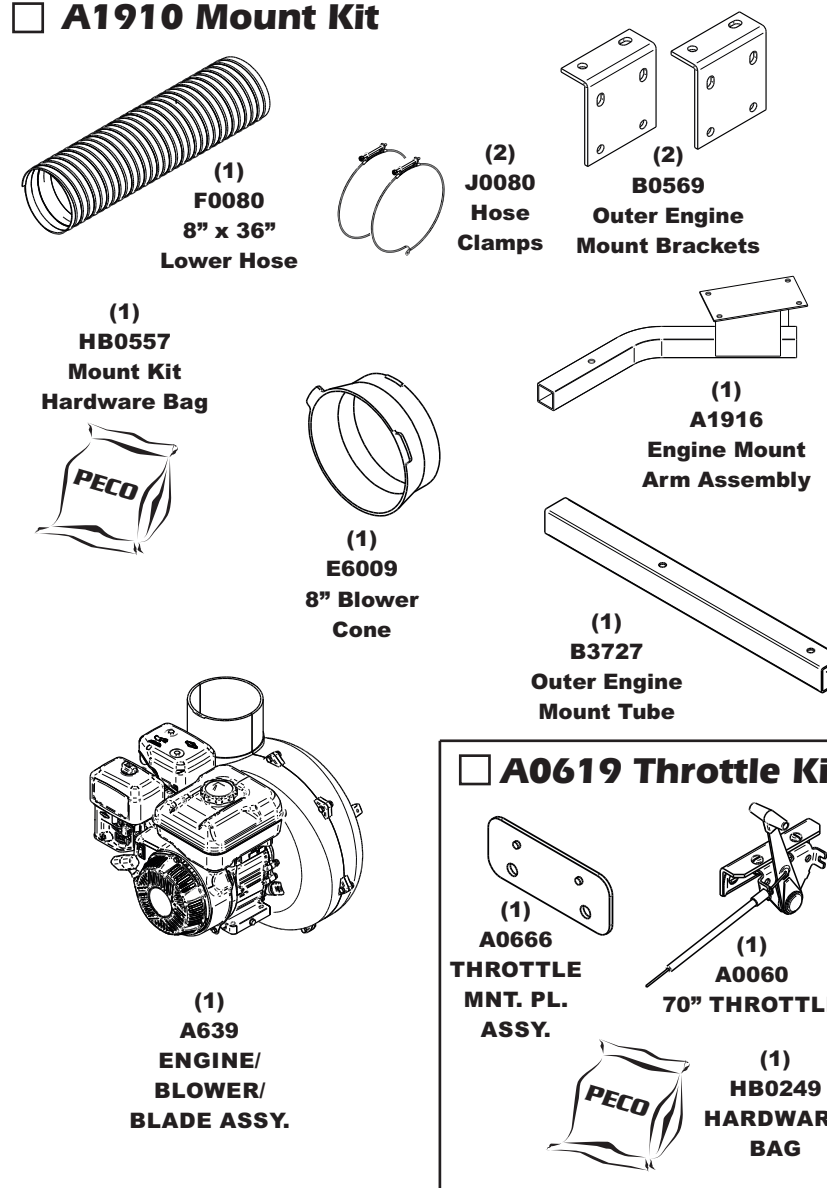
**Revision #:** Final Release 5/9/2013

**Fits Year(s):** 2011-2014

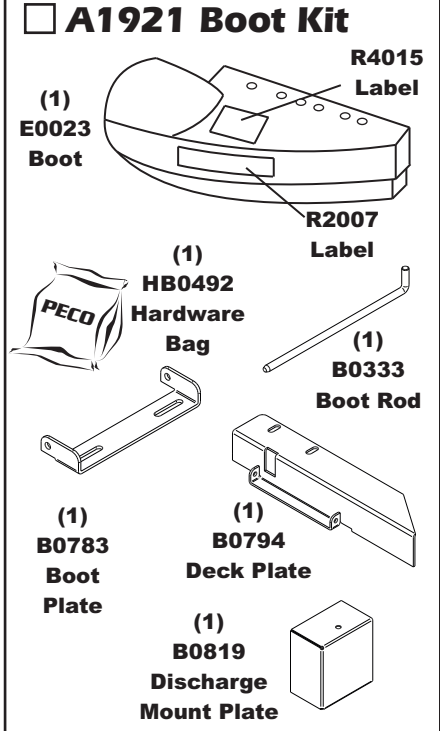
**A1909 Vac Kit**



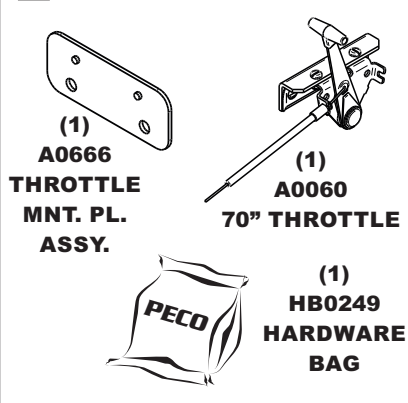
**A1910 Mount Kit**



**A1921 Boot Kit**



**A0619 Throttle Kit**



**A1879 Weight Kit**

