

# DIXIE CHOPPER.

# XT3

COLLECTION SYSTEM

**Unit Model #: 38131505**

**Mower:** Dixie Chopper

**Owner's Manual:** Q0463

**Mower Type:** Classic 2750, 2760 & 3372

**Engine Type:** KW 27HP & GEN 33HP

**Deck Size:** 50", 60" & 72"

**Vac Type:** 15 Cubic Foot Pro 3 Bagger

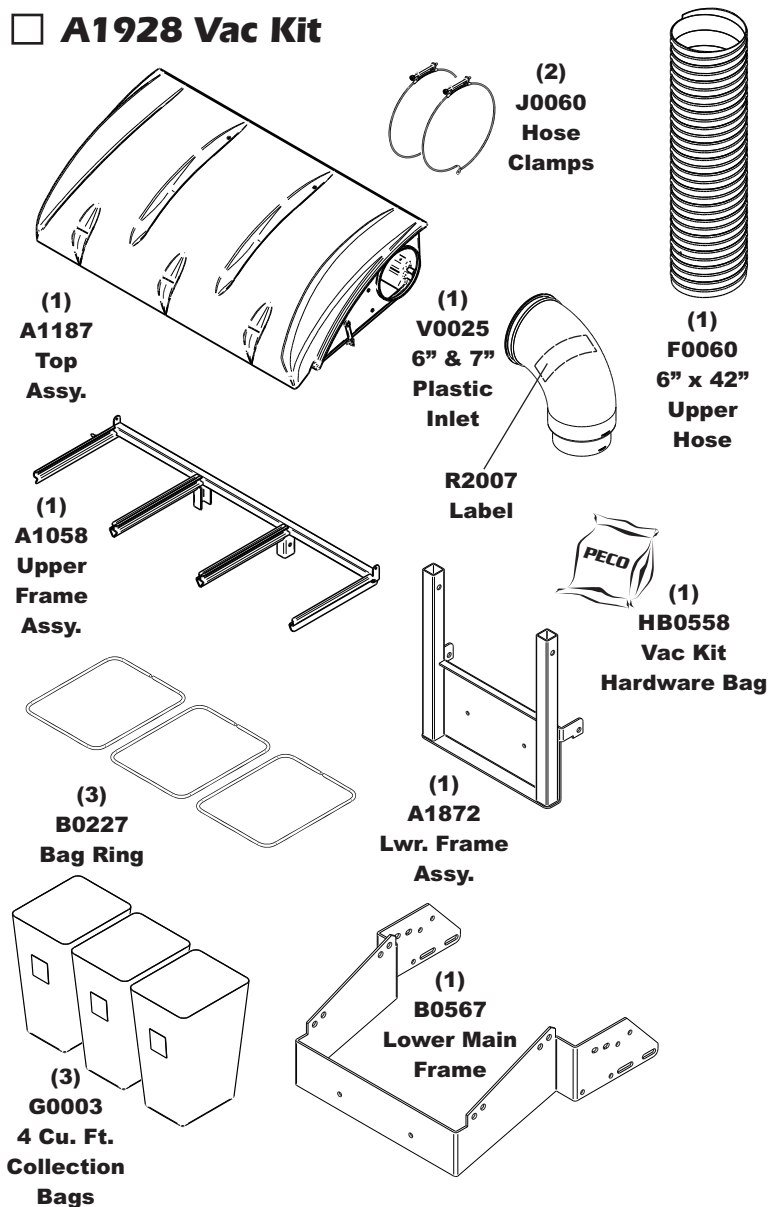
**Deck Type:**

**Drive Type:** 6.5HP Briggs & Stratton Vanguard

**Revision #:** Final Release 7/31/2013

**Fits Year(s):** 2011-2014

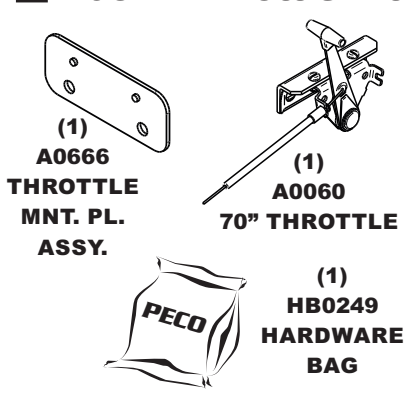
**A1928 Vac Kit**



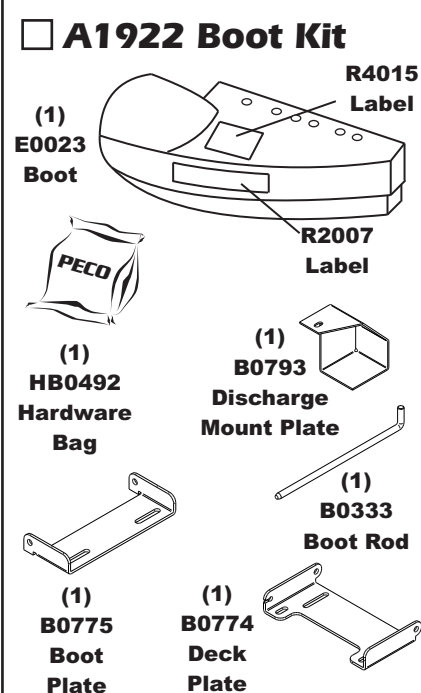
**A1910 Mount Kit**



**A0619 Throttle Kit**



**A1922 Boot Kit**



**A1879 Weight Kit**

