

# DIXIE CHOPPER.

# XT3

COLLECTION SYSTEM

**Unit Model #: 38131504**

**Mower:** Dixie Chopper

**Owner's Manual:** Q0459

**Mower Type:** Classic 2960, & 3360

**Engine Type:** KH 29HP & GEN 33HP

**Deck Size:** 60"

**Vac Type:** 15 Cubic Foot Pro 3 Bagger

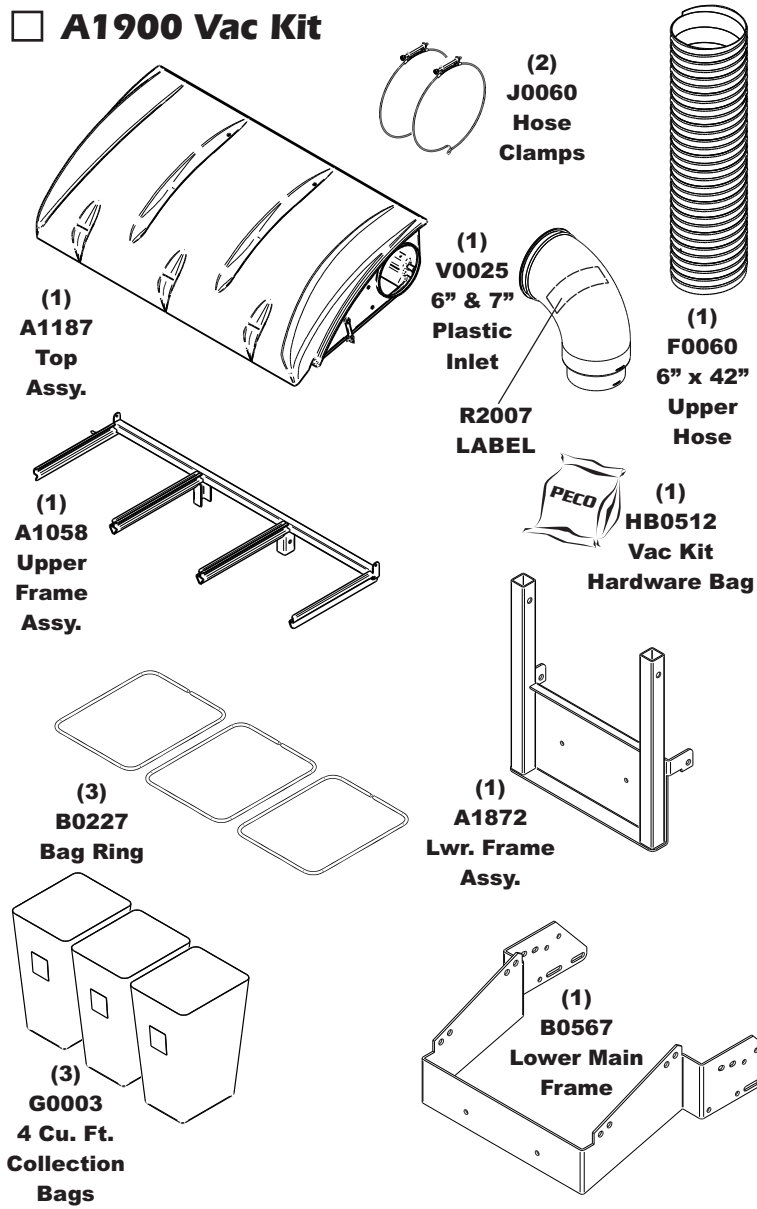
**Deck Type:**

**Drive Type:** PTO Drive

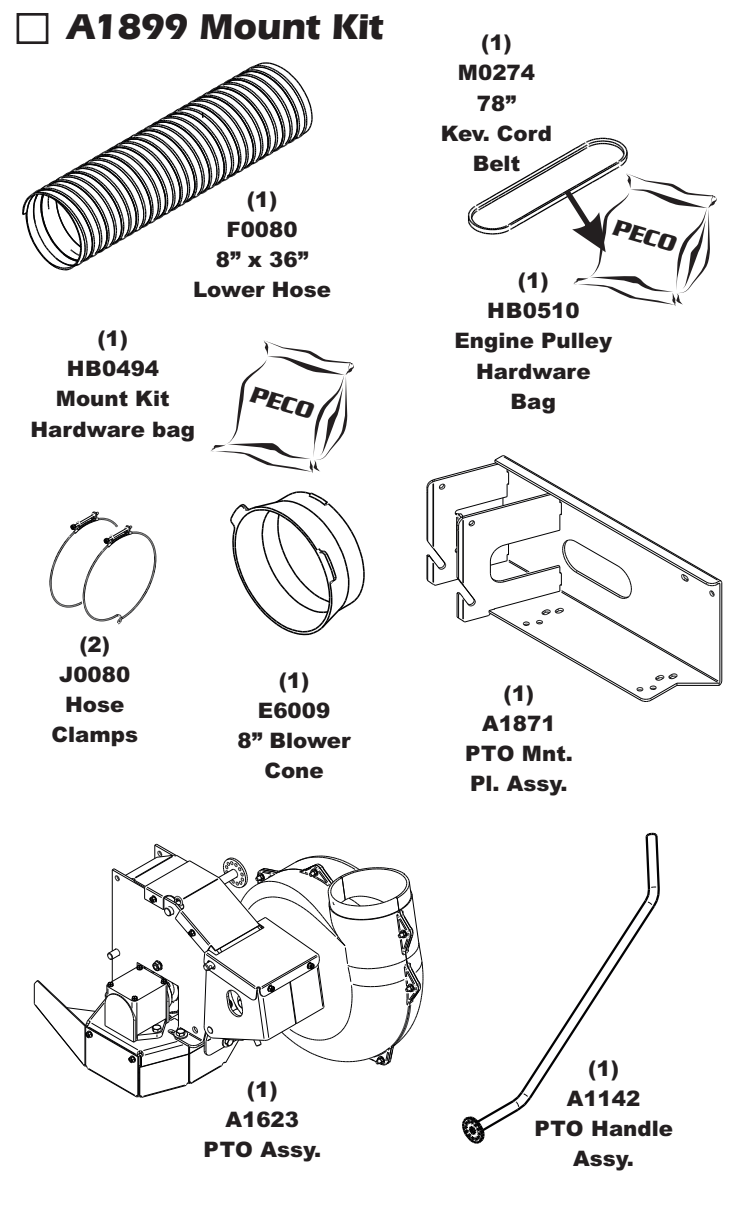
**Revision #:** Final Release 4/1/13

**Fits Year(s):** 2011-2014

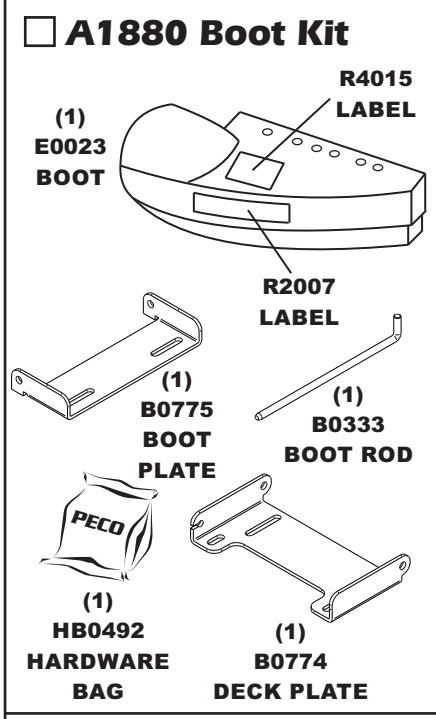
**A1900 Vac Kit**



**A1899 Mount Kit**



**A1880 Boot Kit**



**A1879 Weight Kit**

