



Unit Model #: 38131503

Mower: Dixie Chopper

Owner's Manual: Q0459

Mower Type: Xcaliber 3366

Engine Type: Generac 33HP

Deck Size: 66"

Vac Type: 15 Cubic Foot Pro 3 Bagger

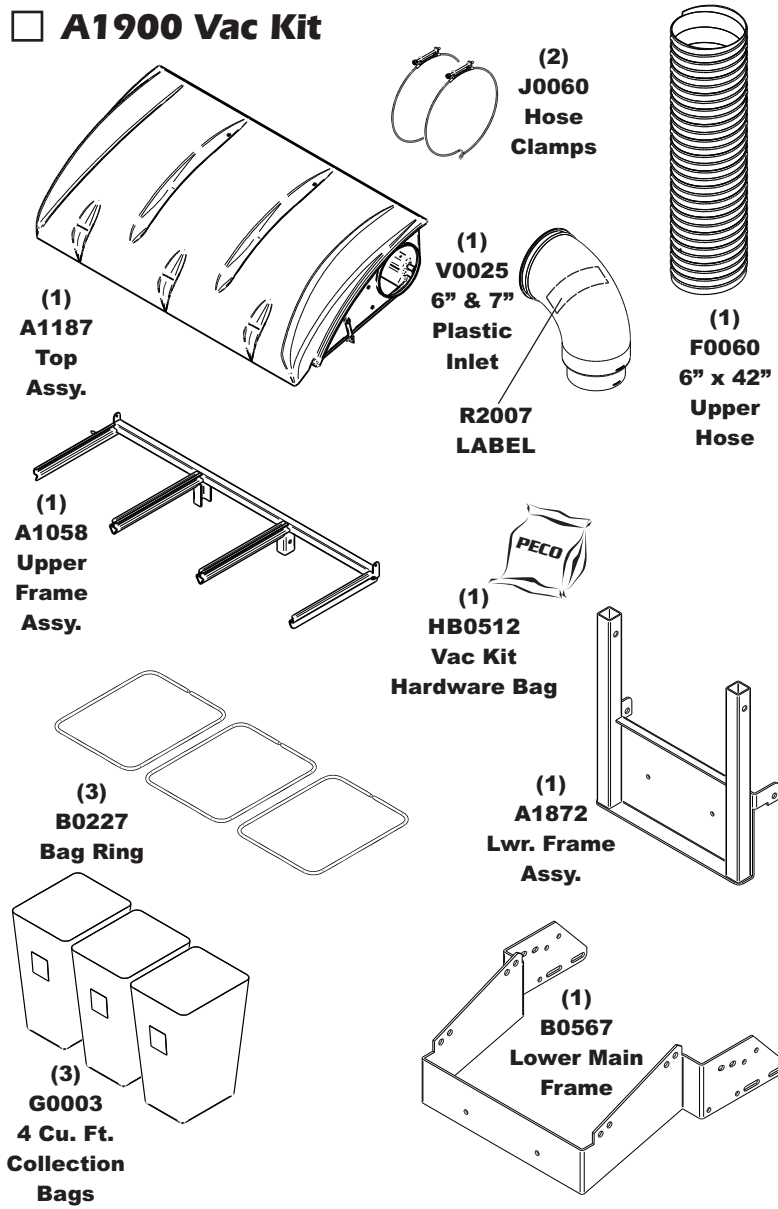
Deck Type:

Drive Type: PTO Drive

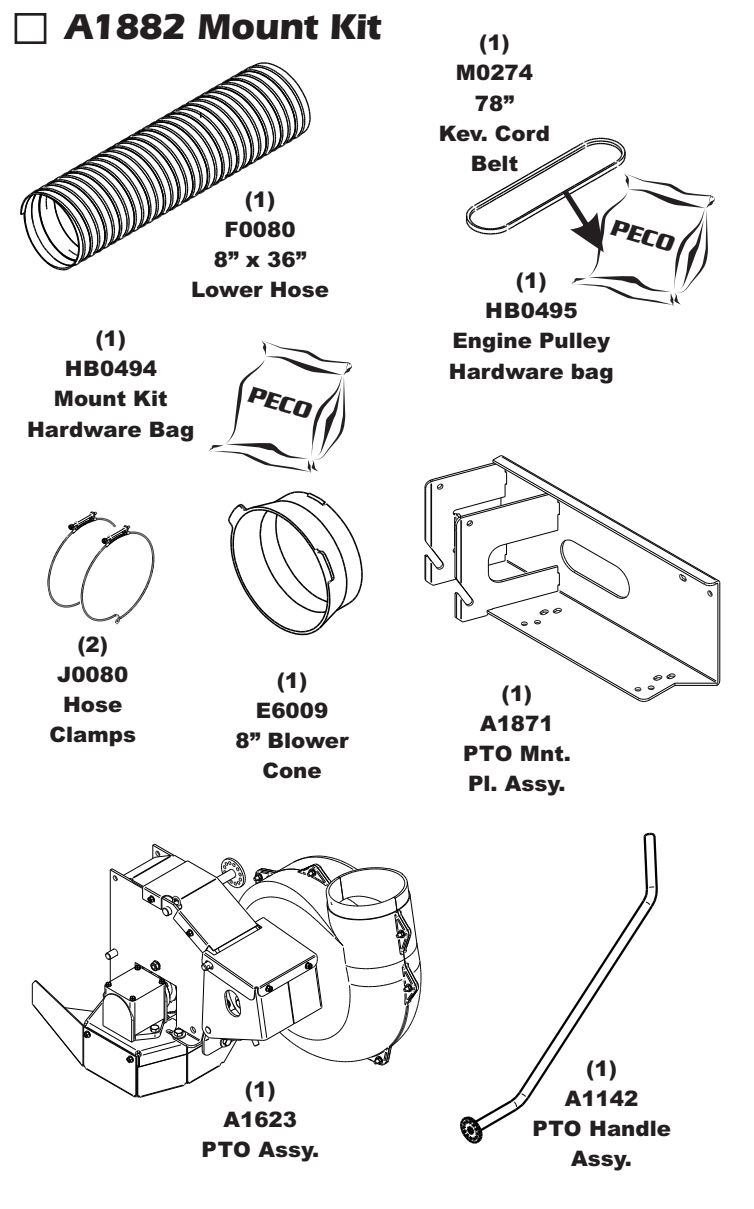
Revision #: Final Release 4/1/13

Fits Year(s): 2011-2014

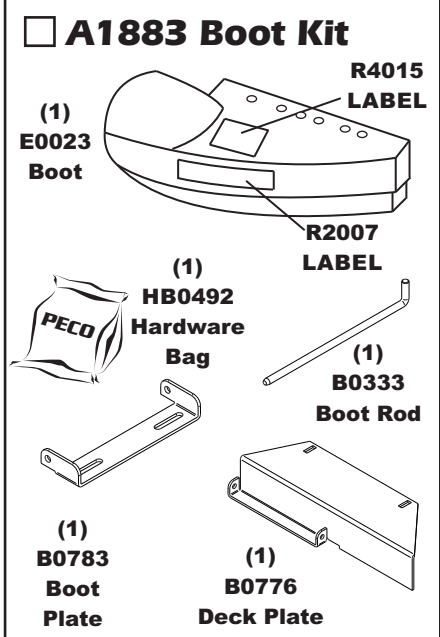
A1900 Vac Kit



A1882 Mount Kit



A1883 Boot Kit



A1879 Weight Kit

