

DIXIE CHOPPER.

XT3

COLLECTION SYSTEM

Unit Model #: 38131502

Mower: Dixie Chopper

Owner's Manual: Q0454

Mower Type: Classic T/W 2750, 2760, 3360 & 3560

Engine Type: 27HP & 35HP KW and 33HP Gen.

Deck Size: 50" and 60"

Vac Type: 15 Cu. Ft. Pro 3 Bagger

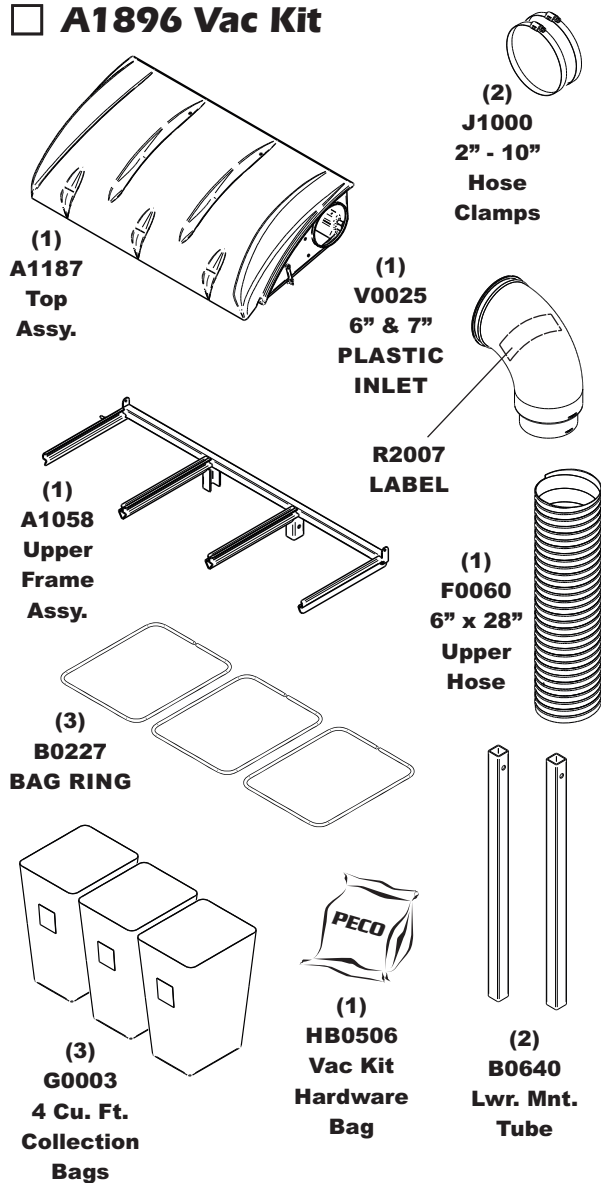
Deck Type: X2 Cutting System

Drive Type: PTO Driven

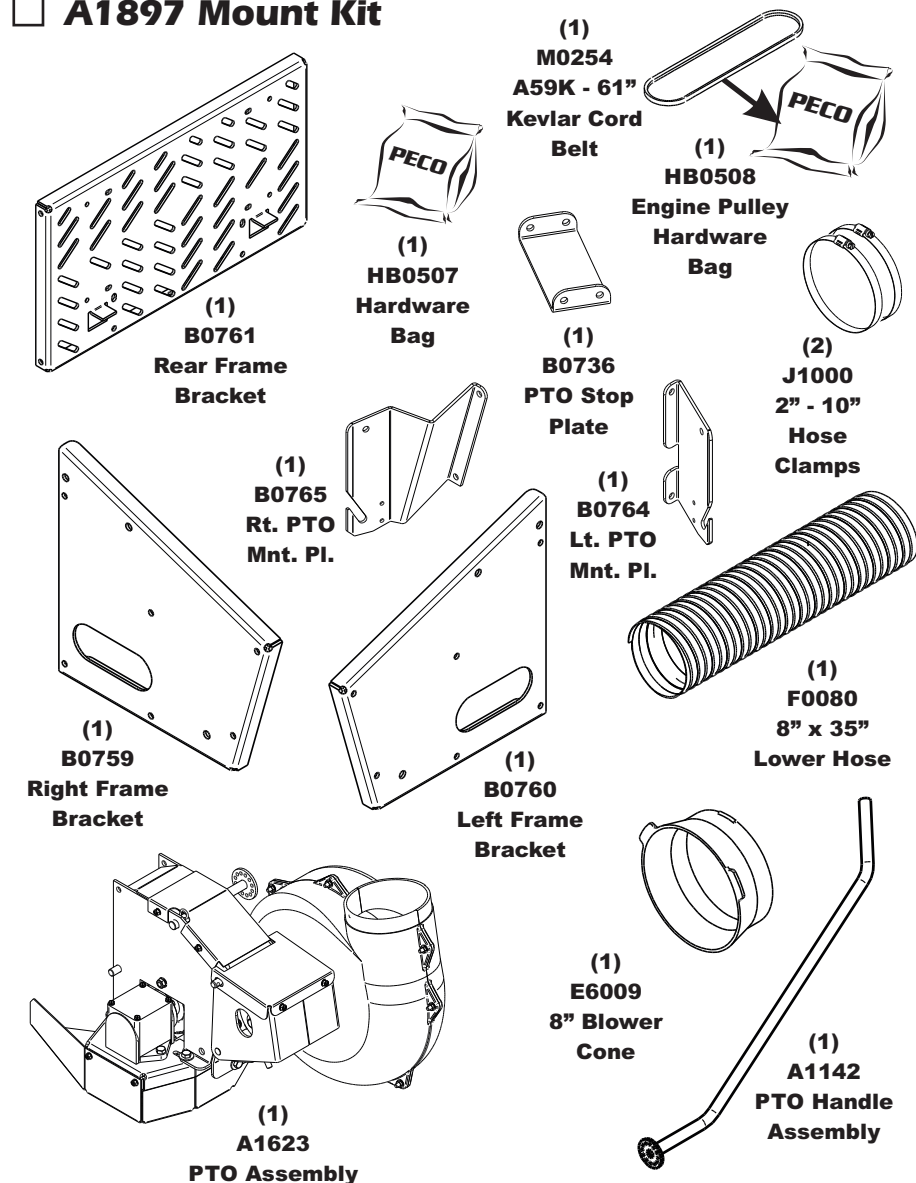
Revision #: Final Release 3/7/13

Fits Year(s): 2012-2013

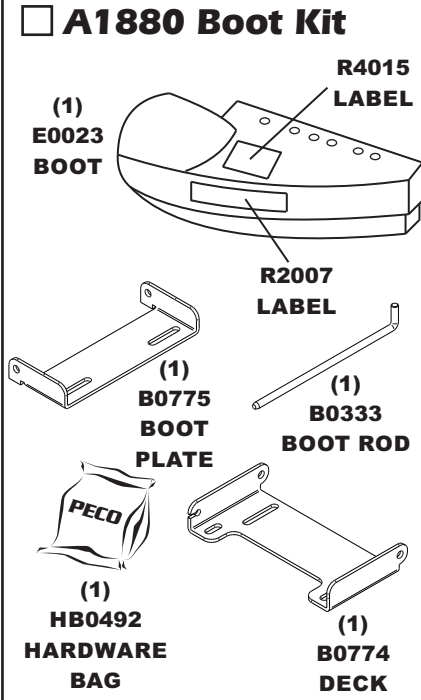
A1896 Vac Kit



A1897 Mount Kit



A1880 Boot Kit



A1879 Weight Kit

