



Unit Model #: 37131509

Mower: Scag

Owner's Manual: Q0437

Mower Type: Freedom Z

Engine Type: Kawasaki FS730V

Deck Size: 61" Commercial

Vac Type: 15 Cu. Ft. Pro 3 Bagger

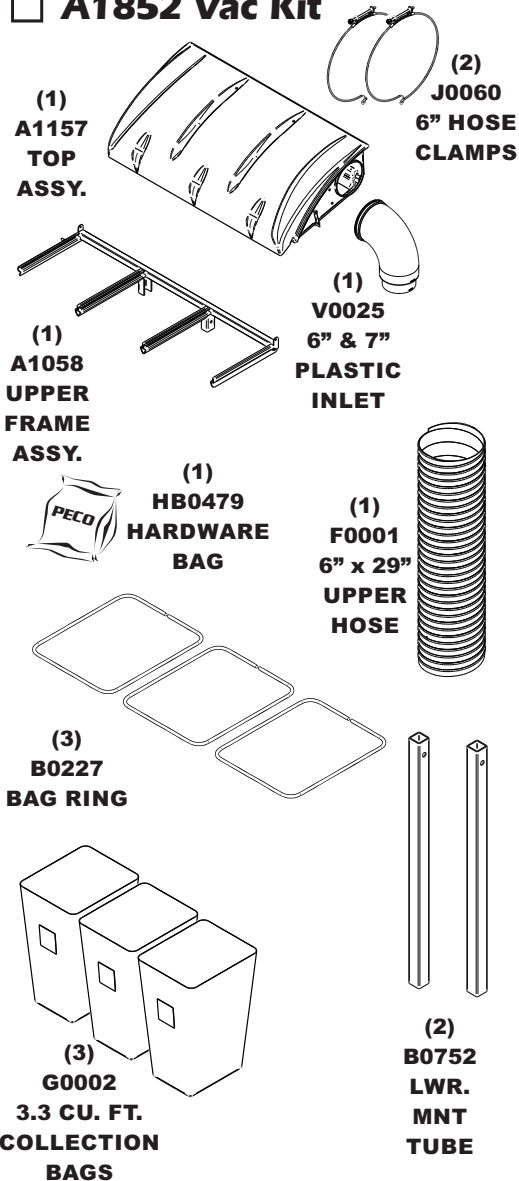
Deck Type:

Drive Type: Briggs & Stratton 6.5HP Vanguard

Revision #: Updated To Fit 2014 Mowers 9/9/2014

Fits Year(s): 2012-2014

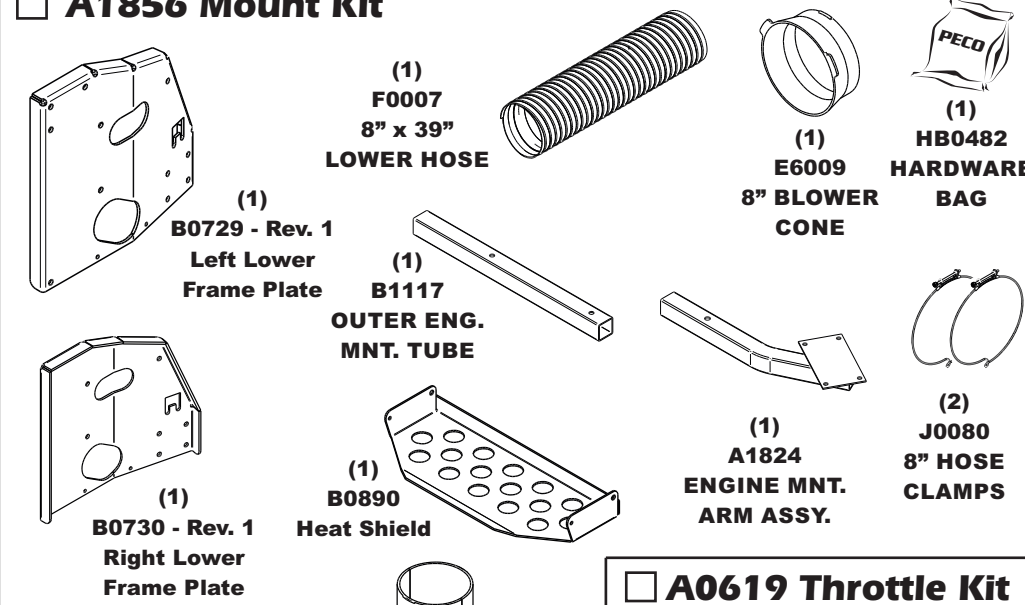
A1852 Vac Kit



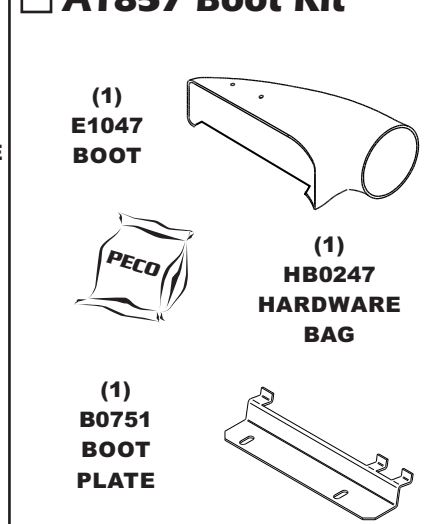
A1155 61" BAFFLE KIT



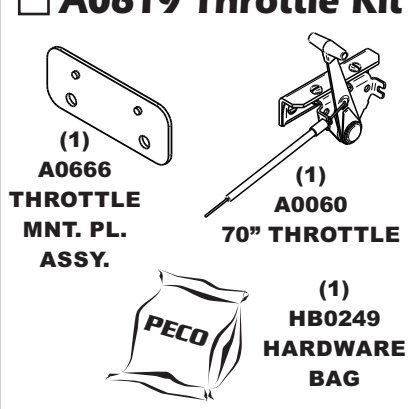
A1856 Mount Kit



A1857 Boot Kit



A0619 Throttle Kit



A0683 Weight Kit

