



# Unit Model #: 37131508

**Mower:** Scag

**Owner's Manual:** Q0437

**Mower Type:** Freedom Z

**Engine Type:** Kawasaki FS730V

**Deck Size:** 61" Commercial

**Vac Type:** 15 Cu. Ft. Pro 3 Bagger

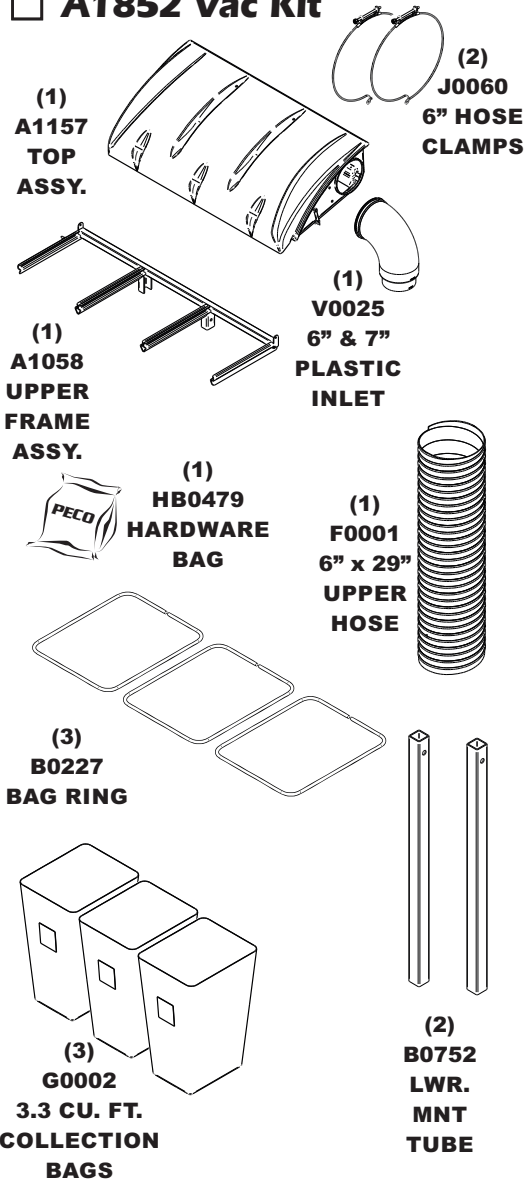
**Deck Type:**

**Drive Type:** Briggs & Stratton 900 Series

**Revision #:** Updated To Fit 2014 Mowers 9/9/2014

**Fits Year(s):** 2012-2014

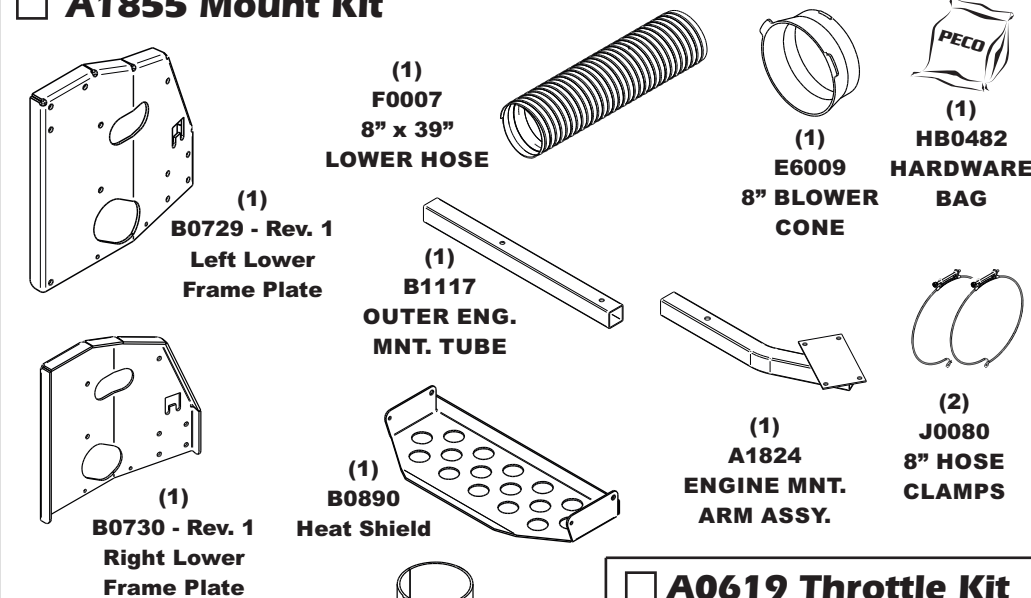
## A1852 Vac Kit



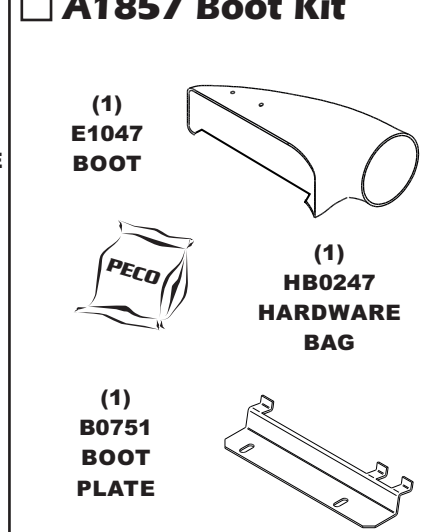
## A1155 61" BAFFLE KIT



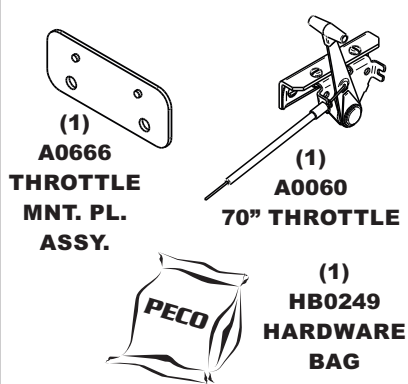
## A1855 Mount Kit



## A1857 Boot Kit



## A0619 Throttle Kit



## A0683 Weight Kit

