



Unit Model #: 37131505

Mower: Scag

Owner's Manual: Q0431

Mower Type: Tiger Cat

Deck Size: 52" & 61"

Vac Type: 15 Cu. Ft. Pro 3 Bagger

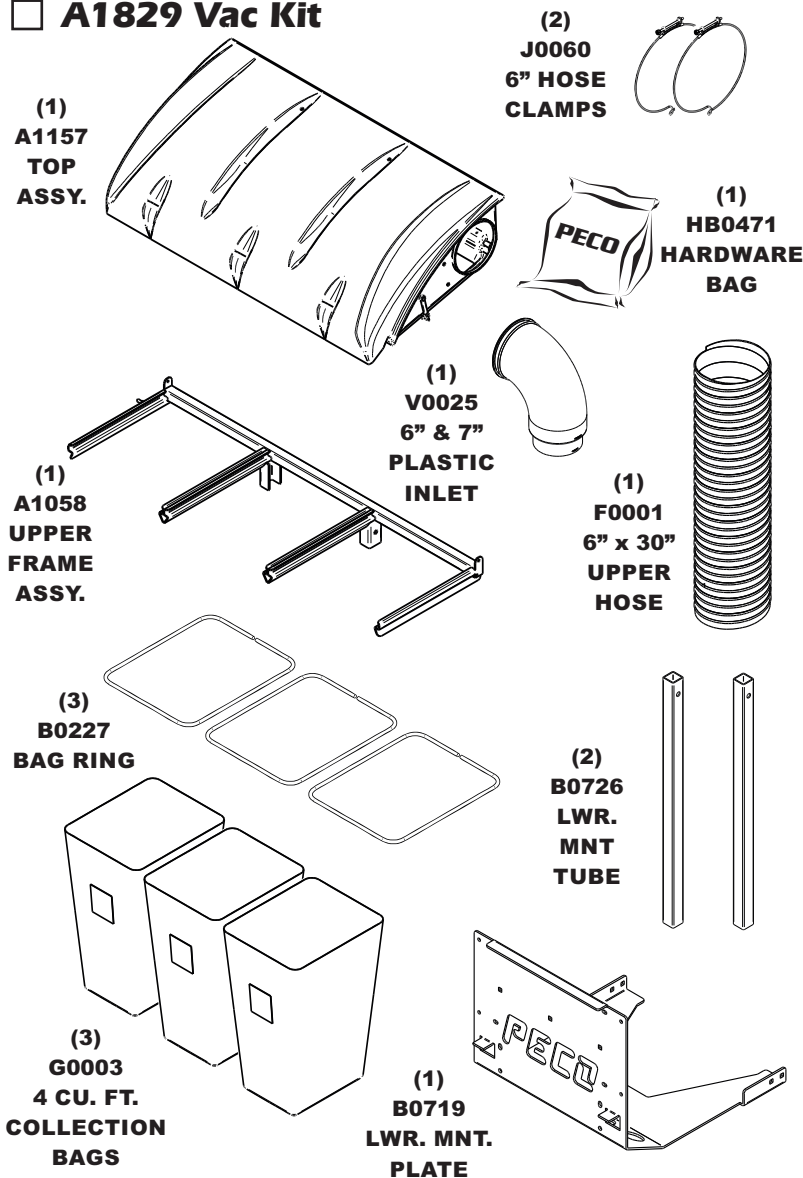
Deck Type: Velocity Plus

Drive Type: 900 SERIES BRIGGS & STRATTON

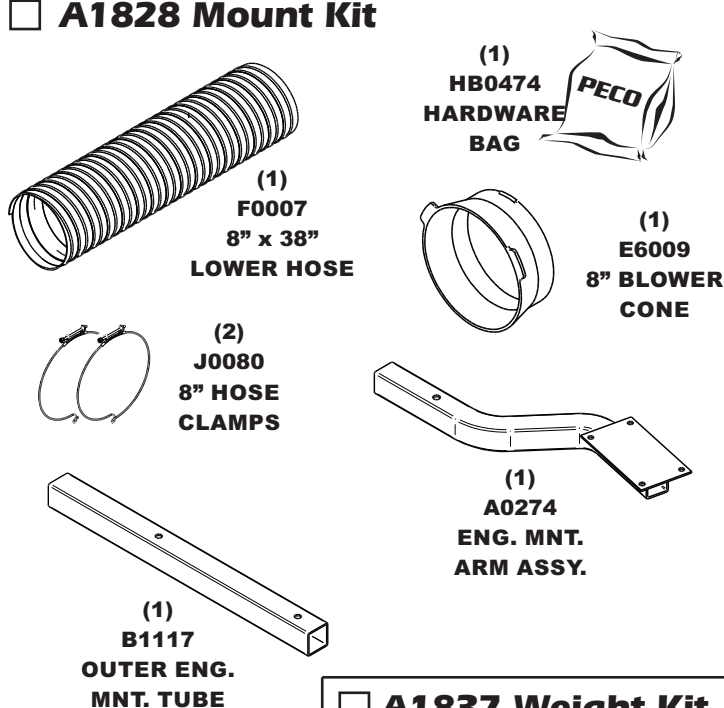
Revision #:

Fits Year(s): 2012

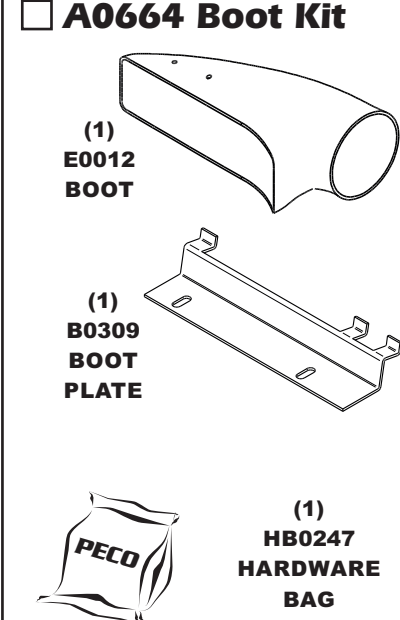
A1829 Vac Kit



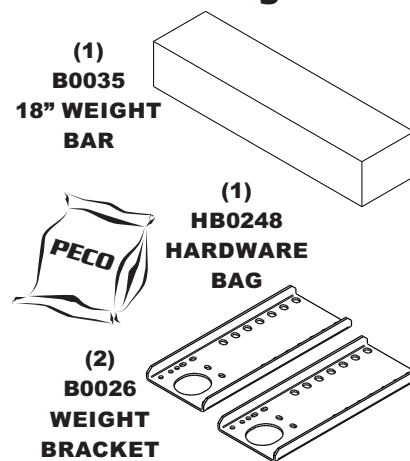
A1828 Mount Kit



A0664 Boot Kit



A1837 Weight Kit



A0619 Throttle Kit

