



**Unit Model #: 37131504**

**Mower:** Scag

**Owner's Manual:** Q0431

**Mower Type:** Tiger Cat

**Engine Type:** Kawasaki 24FX

**Deck Size:** 52" - 61"

**Vac Type:** 15 Cu. Ft. Pro 3 Bagger

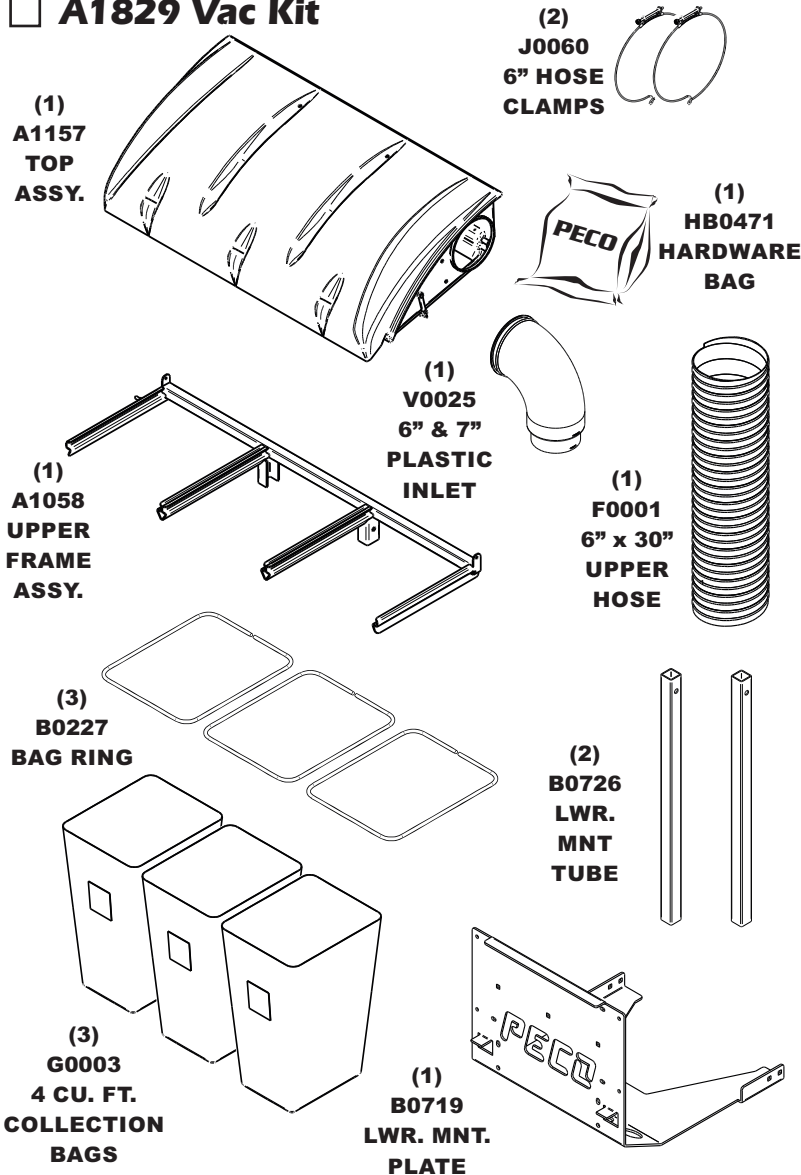
**Deck Type:** Velocity Plus

**Drive Type:** Rear PTO Drive

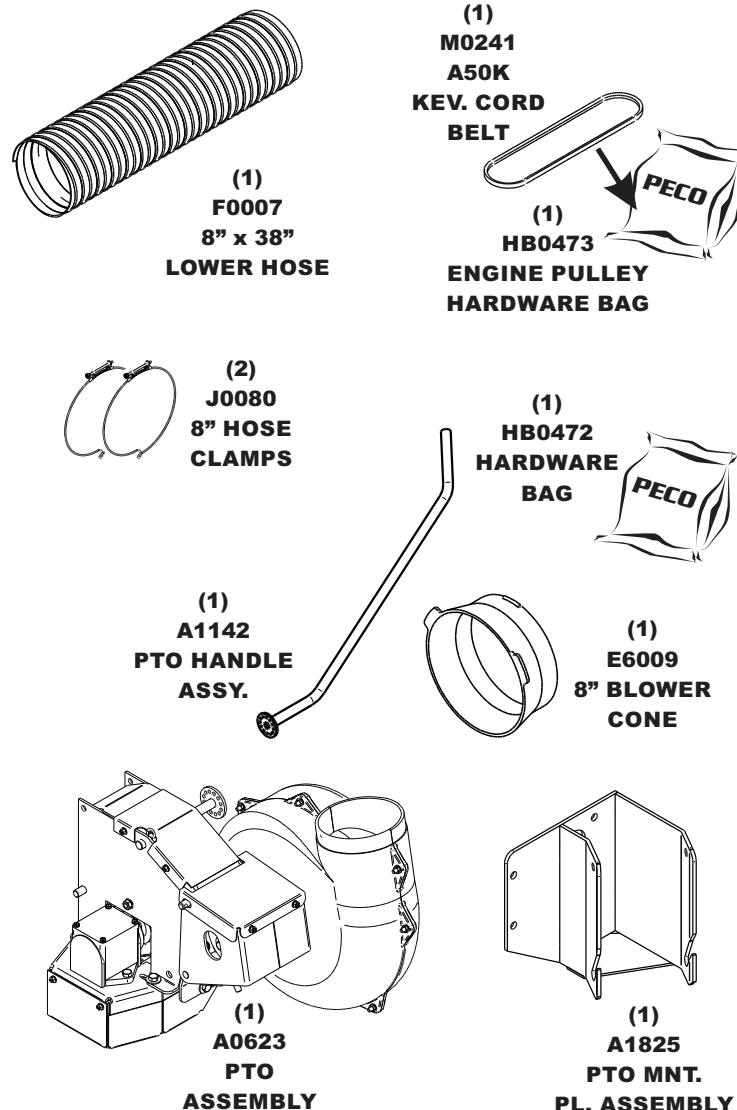
**Revision #:**

**Fits Year(s):** 2012

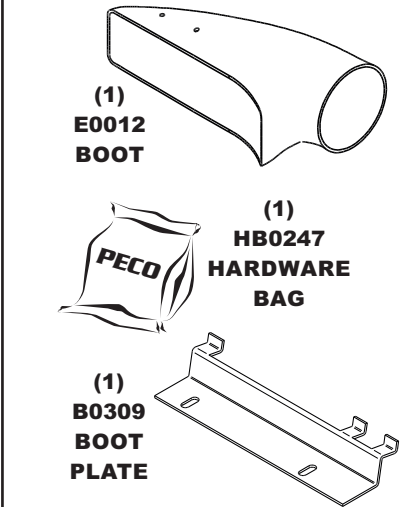
**A1829 Vac Kit**



**A1835 Mount Kit**



**A0664 Boot Kit**



**A1837 Weight Kit**

