



**Unit Model #: 59A30044150 (21131508)**

**Mower & Type:** Cub Cadet - Tank L (48", 54" & 60"), Tank S (60"), Tank LZ (54" & 60"), Tank SZ (54" & 60")

**Mower Models:** Tank L - 53AN2RTB050, 53AI2RTC050, 53AN2RTD050, 53AI2RTD050, 53AN2RTD009, 53YI2RTD050 /  
 Tank S - 53RN2RUD050 / Tank LZ - 53AI2PTC050, 53BI2PTD050, 53YI2PTC050, 53YI2PTD050, 53BH2PTD330 /  
 Tank SZ - 53AI2PUC050, 53BI2PUD050, 53YI2PUC050, 53YI2PUD050, 53RE2PUD050, 53AI2PUD330

**Owner's Manual:** Q0474

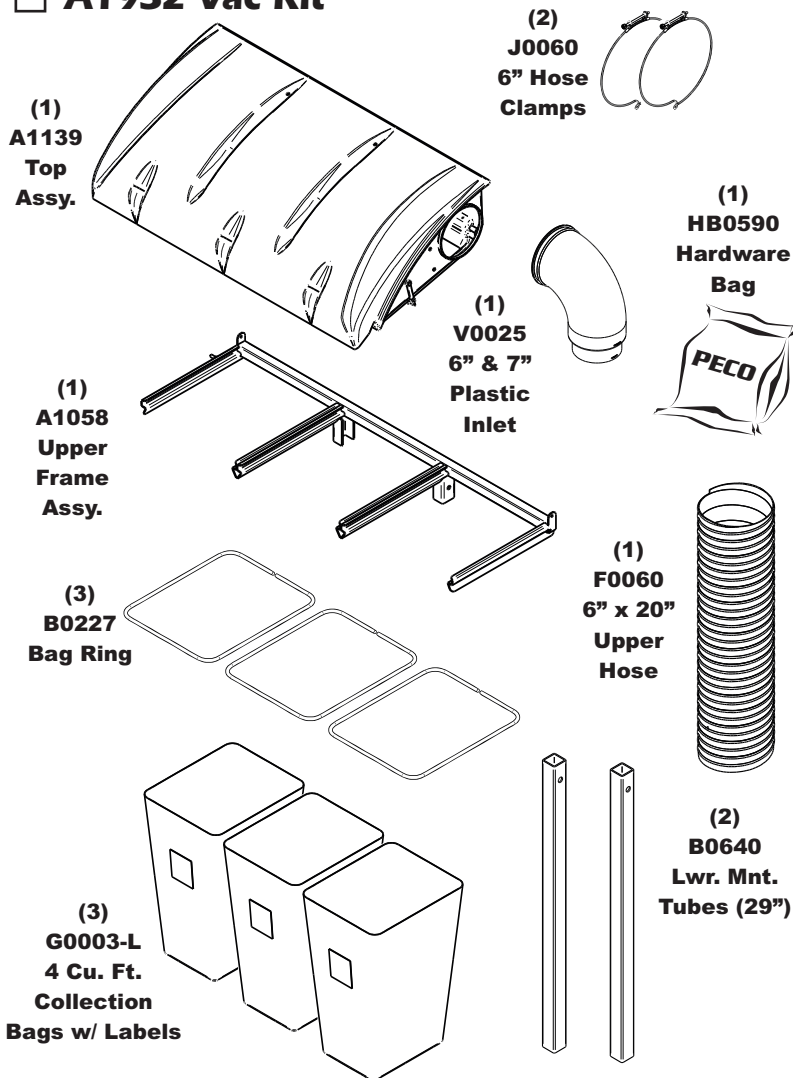
**Vac/Drive Type:** P3B (15 Cu. Ft.) PTO Driven

**Revision #:** 2 / Model Year Update (10/20/2014)

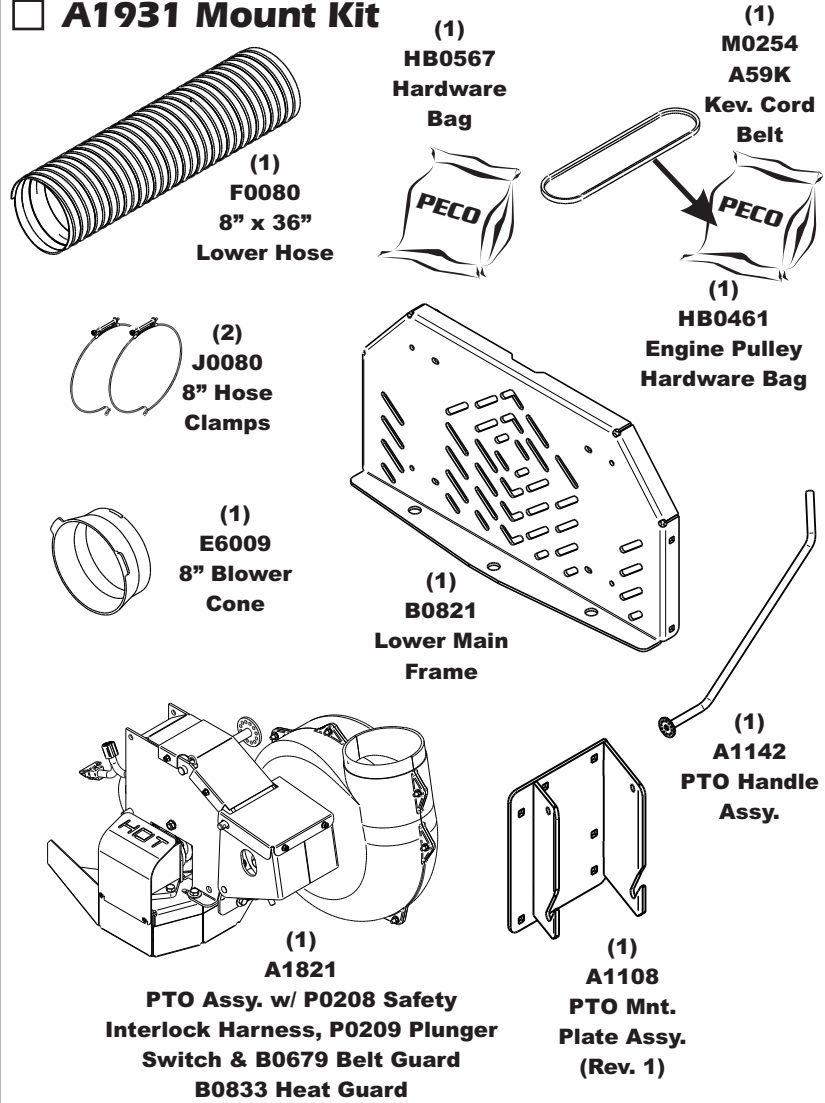
**Fits Year(s):** 2014-2015

## LZ Mowers Require Weight Kit 59A30037150 (A1149) - Not Included On Pack

### A1932 Vac Kit



### A1931 Mount Kit



### A1964 Boot Kit

