

# MODEL#: 49120903

**MOWER NAME: COUNTRY CLIPPER**

**MOWER MODEL: JAZEE & JAZEE PRO**

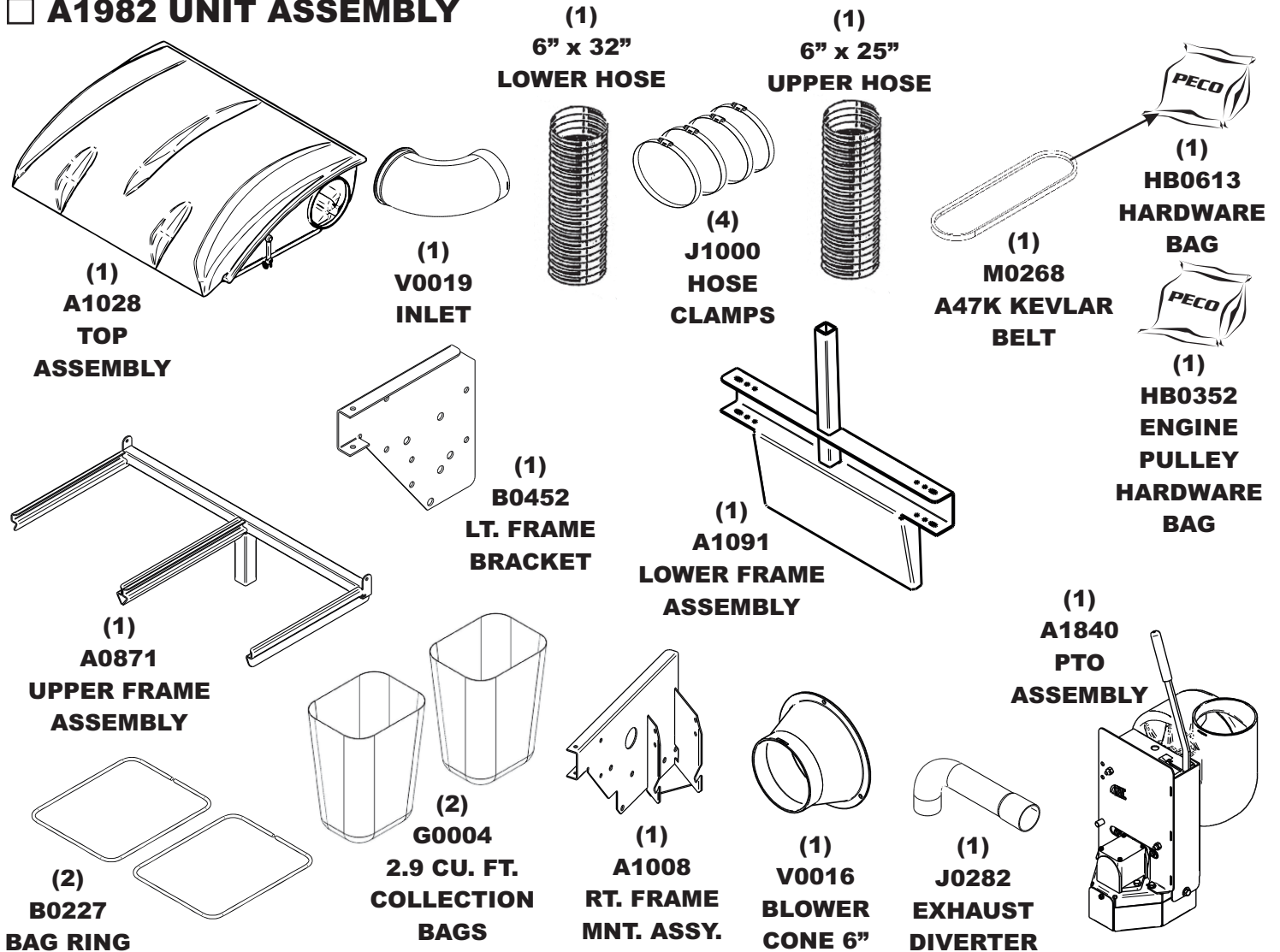
**MOWER DECK SIZE: 42" THRU 52"**

**VAC NAME: 9 CUBIC FOOT PRO BAGGER**

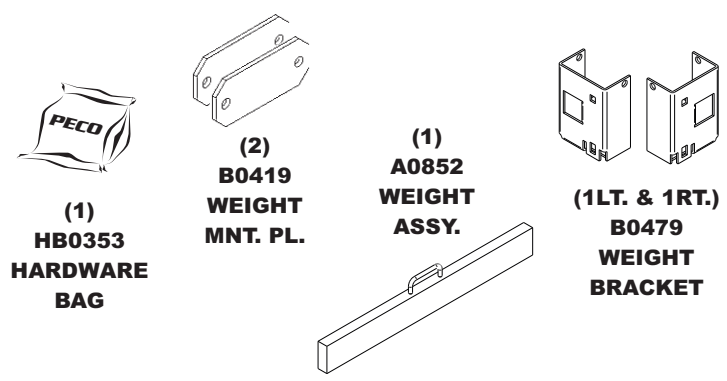


**FOR YEAR: 2009 - BELOW**

## A1982 UNIT ASSEMBLY



## A1035 WEIGHT KIT



## A1983 BOOT KIT

