



# Unit Model #: 37120902

Mower: Scag

Owner's Manual: Q0456

Mower Type: Freedom Z

Engine Type: KW FS691V-AS13

Deck Size: 52"

Vac Type: 9 Cu. Ft. Pro 2+ Bagger

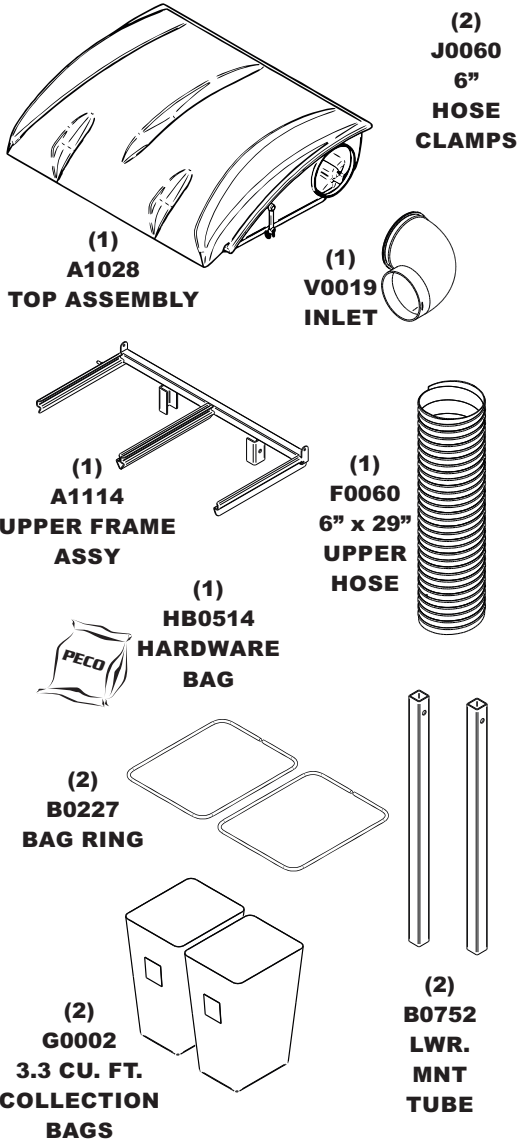
Deck Type:

Drive Type: Rear PTO Drive (3-Blade)

Revision 2: Updated To Fit 2015 Mowers 5/21/2015

Fits Year(s): 2010-2015

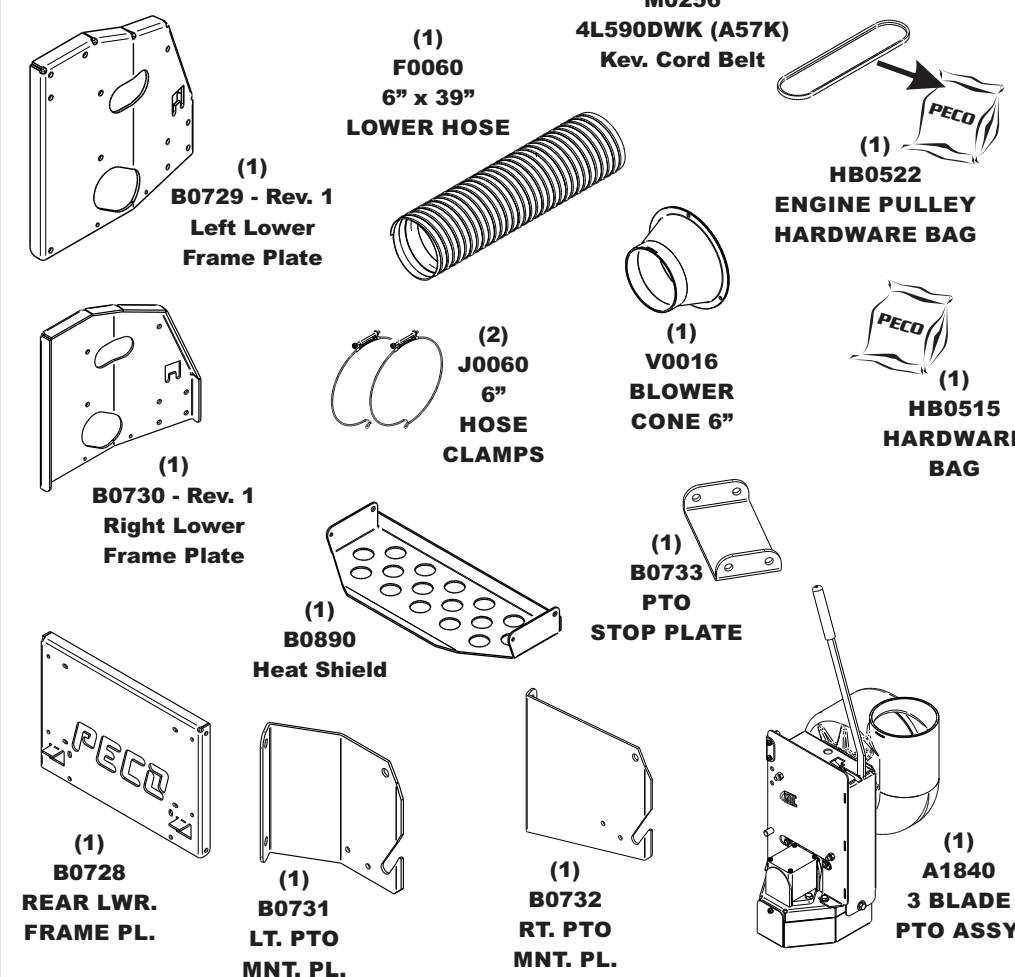
## A1902 Vac Kit



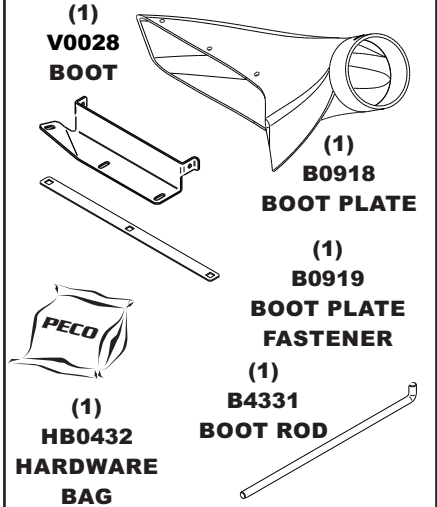
## A1151 52" BAFFLE KIT



## A1934 Mount Kit



## A1796 Boot Kit



## A1791 Weight Kit

