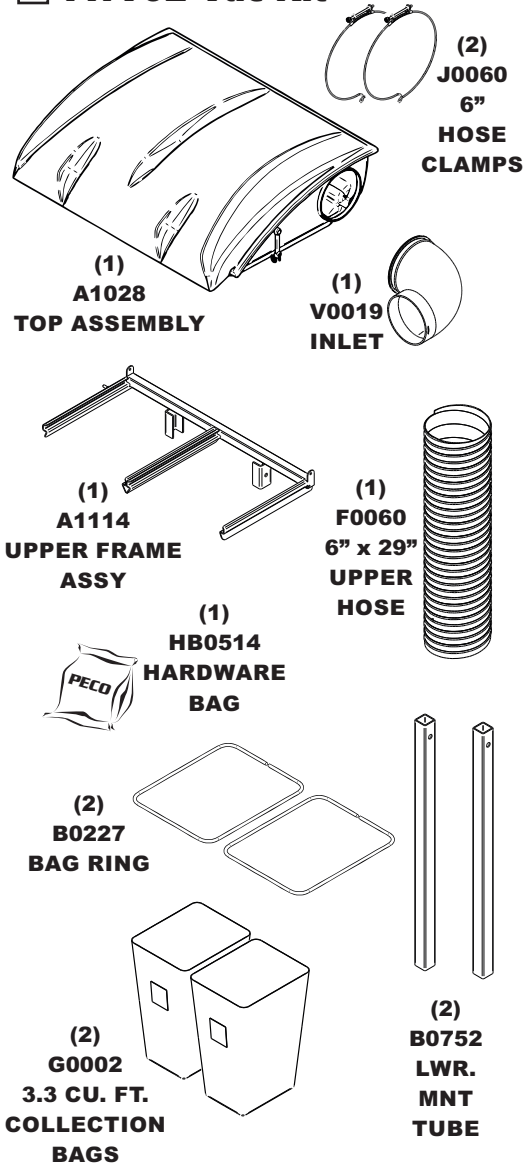




Unit Model #: 37120901

Mower: Scag		Owner's Manual: Q0456
Mower Type: Freedom Z		Engine Type:
Deck Size: 48"		Vac Type: 9 Cu. Ft. Pro 2+ Bagger
Deck Type:		Drive Type: Rear PTO Drive (3-Blade)
Revision 2: Updated To Fit 2015 Mowers 5/21/2015		Fits Year(s): 2010-2015

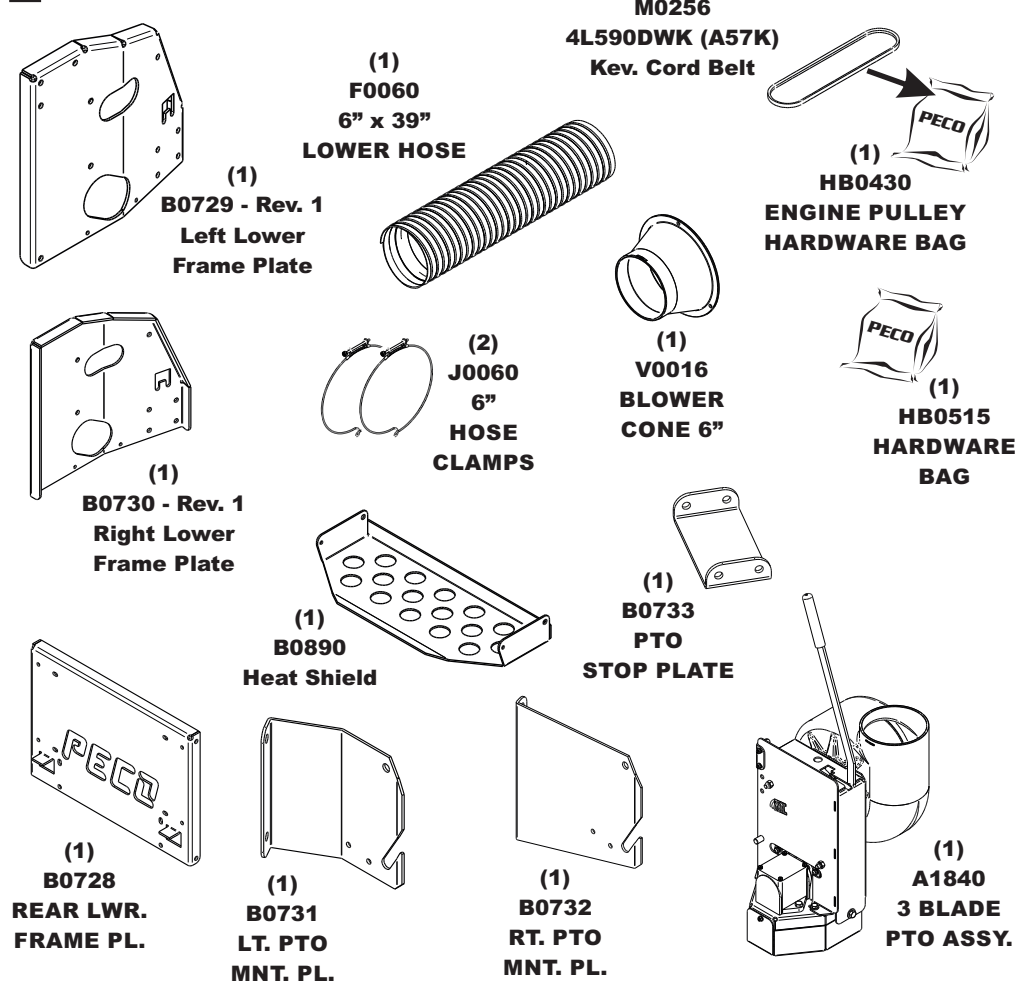
A1902 Vac Kit



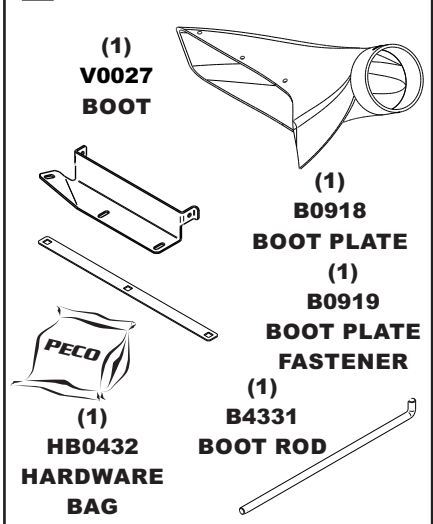
A1153 48" BAFFLE KIT



A1903 Mount Kit



A1790 Boot Kit



A1791 Weight Kit

