

# MODEL#: 22120902

MOWER NAME: TORO

MOWER MODEL: TITAN MX SERIES

MOWER DECK SIZE: 48" 54" AND 60" DECKS

VAC NAME: PRO 2 BAGGER

PTO DRIVEN

MANUAL #Q0405

A1797 UNIT ASSEMBLY

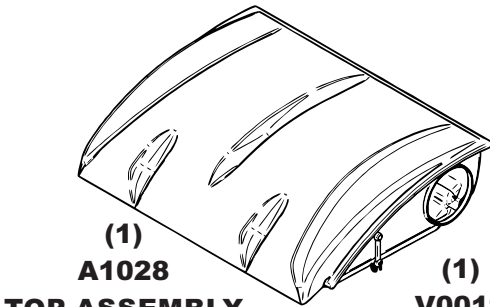


FOR YEAR: 2011 - 2012

REVISED: 9/25/2013

FITS  
THESE  
MOWER  
MODELS:

2011 - 2012 74871 (MX4880) 74872 (MX5480)  
& 74873 (MX6080)



(1)  
A1028  
TOP ASSEMBLY

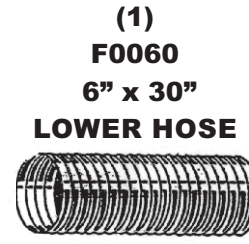
(1)  
V0019  
INLET



(4)  
J0060  
6" HOSE  
CLAMPS



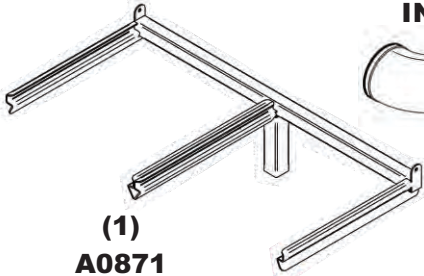
(1)  
F0060  
6" x 22"  
UPPER HOSE



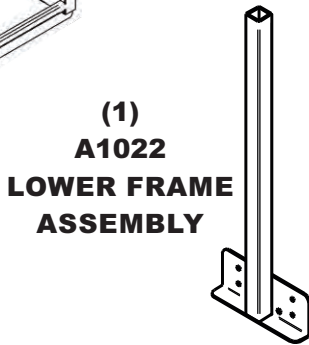
(1)  
F0060  
6" x 30"  
LOWER HOSE



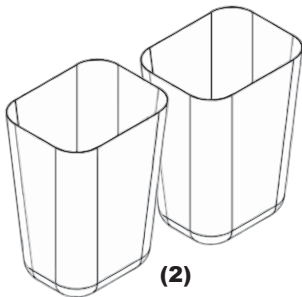
(1)  
HB0442  
UNIT  
HARDWARE  
BAG



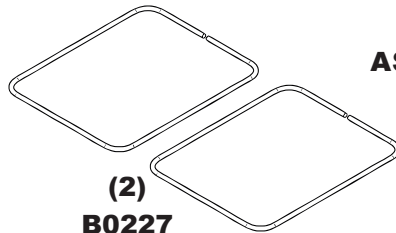
(1)  
A0871  
UPPER FRAME  
ASSEMBLY



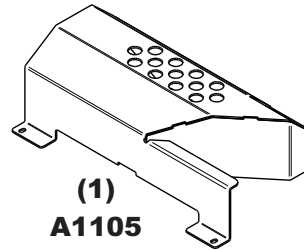
(1)  
A1022  
LOWER FRAME  
ASSEMBLY



(2)  
G0004  
2.9 CU. FT.  
COLLECTION  
BAGS



(2)  
B0227  
BAG RING



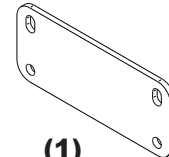
(1)  
A1105  
MUFFLER  
GUARD  
ASSEMBLY



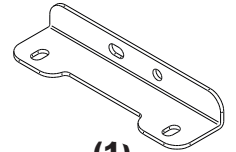
(1)  
M0254  
A59K KEVLAR  
BELT



(1)  
HB0443  
ENGINE  
PULLEY  
HARDWARE  
BAG



(1)  
B0608  
PTO MOUNT  
SPACER

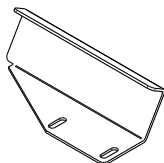


(1)  
B0606  
LOWER FRAME  
MOUNT

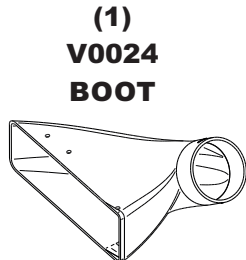
## A1781 BOOT KIT



(1)  
HB0418  
HARDWARE  
BAG



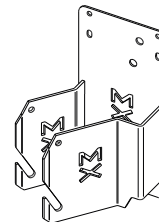
(1)  
B0605  
BOOT  
PLATE



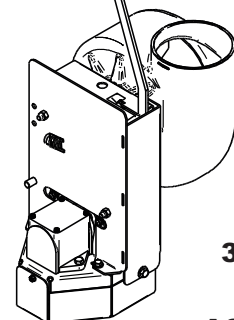
(1)  
V0024  
BOOT



(1)  
V0016  
BLOWER  
CONE 6"



(1)  
A1795  
PTO MOUNT  
ASSEMBLY



(1)  
A1840  
3-BLADE  
PTO  
ASSEMBLY