



Unit Model #: 53621201

Mower & Type: World Lawn

Mower Models: Cobra 54" Deck

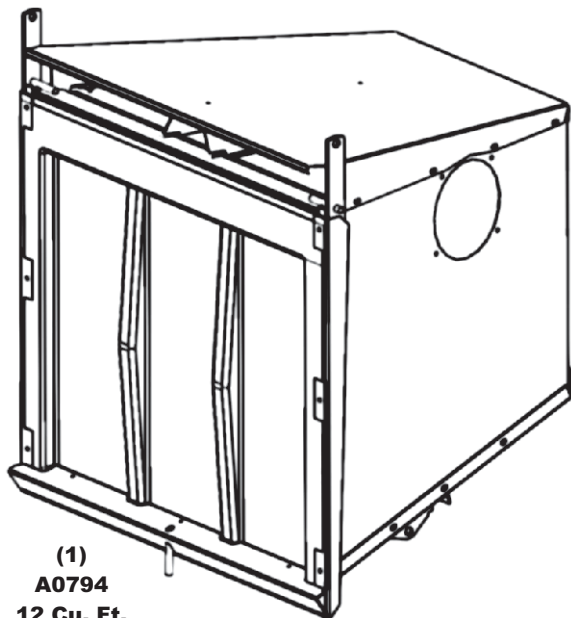
Owner's Manual: Q0488

Revision #: 11/10/2014 - Initial Release

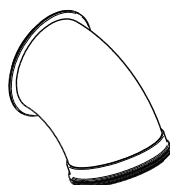
Vac/Drive Type: Pro 12 (12 Cu. Ft.)

Fits Year(s): 2014

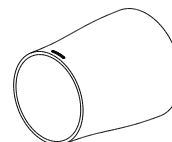
A2005 Vac Kit



(1)
A0794
12 Cu. Ft.
Box Assy.

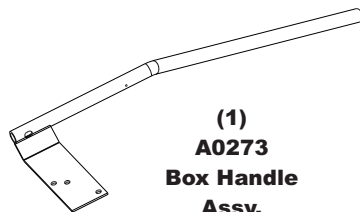


(1)
V1054
6" Plastic
Inlet

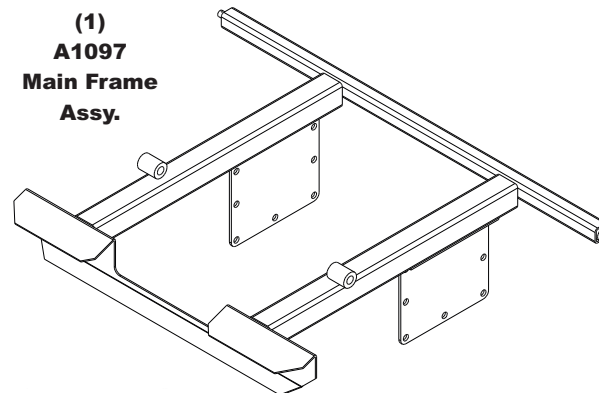


(1)
V0047
Hose
Adapter

(1)
HB0624
Hardware
Bag



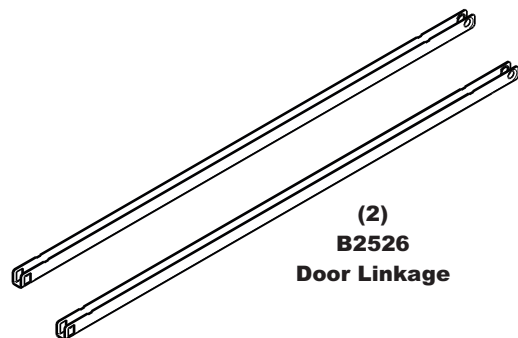
(1)
A0273
Box Handle
Assy.



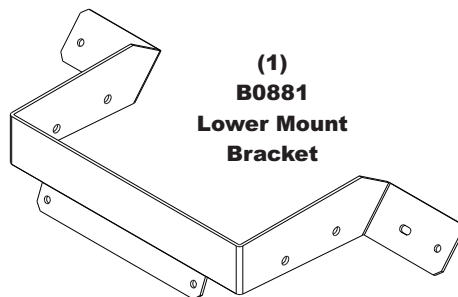
(1)
A1097
Main Frame
Assy.



(2)
J0060
6" Hose
Clamp



(2)
B2526
Door Linkage



(1)
B0881
Lower Mount
Bracket



(1)
F0060
6" x 45"
HOSE