

MODEL#: 49621201

MOWER NAME: COUNTRY CLIPPER

MOWER MODEL: BOSS & CHARGER

MOWER DECK SIZE: 60"

VAC NAME: 12 CUBIC FOOT PRO 12

PTO DRIVEN

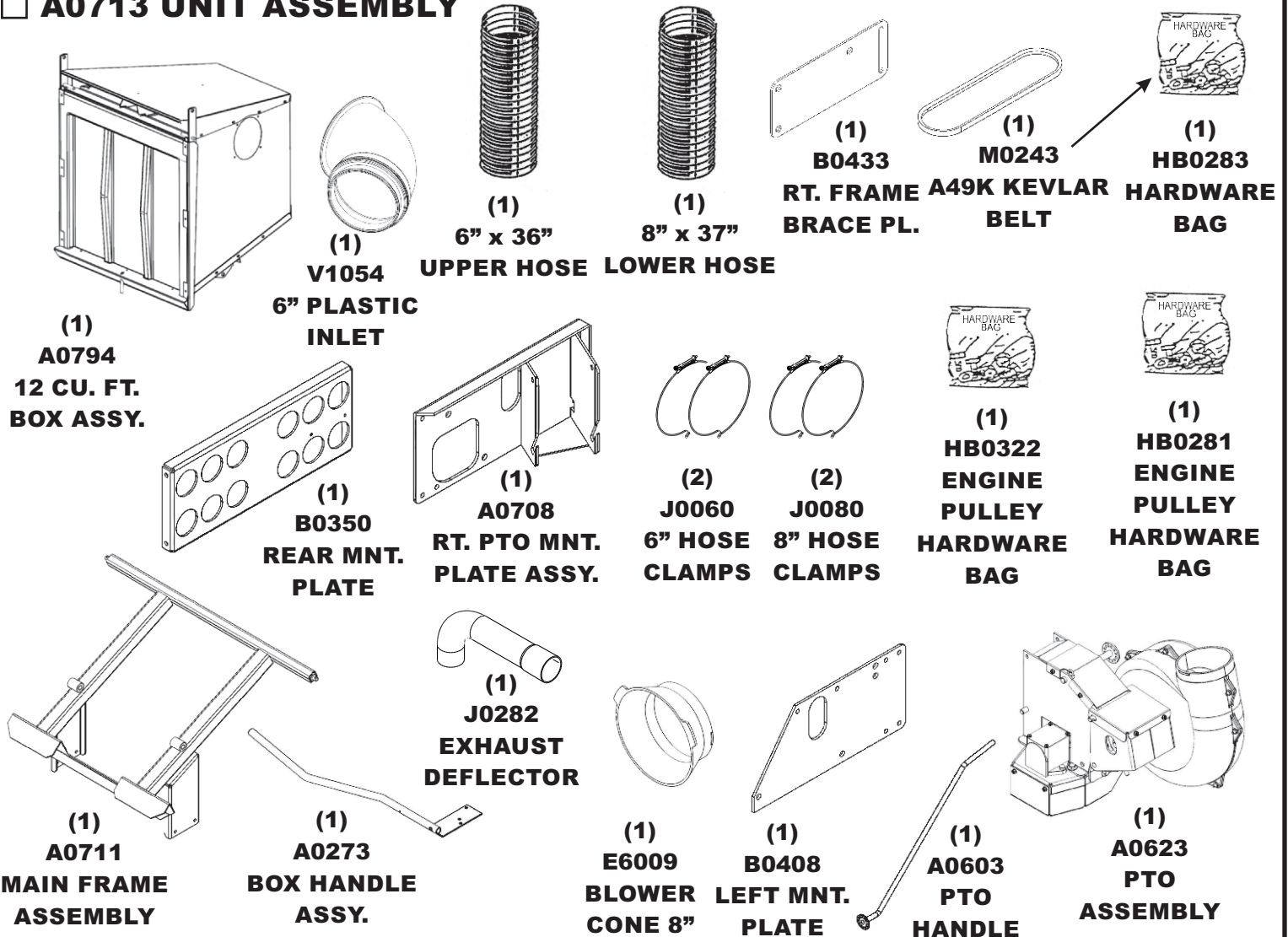
SHIVERS PART#: 629DT-001A E.D.B.S.

A0713 UNIT ASSEMBLY

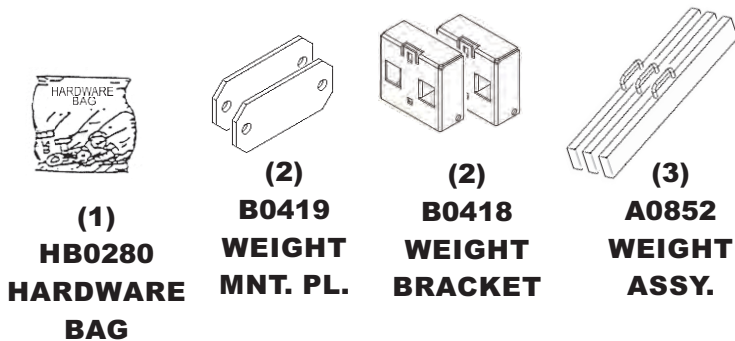
EASY DUMP BAGGING SYSTEM

FOR YEAR: 2009-BELOW

REVISED: 4/28/2011



A0854 WEIGHT KIT



A1808 BOOT KIT

