



Unit Model #: 38621245

Mower: Dixie Chopper

Owner's Manual: Q0510

Mower Type: XCaliber 3160KW, 3360EFI, 3566KW
3366EFI

Engine Type: KW FX31, KW FX33 and KH EFI33

Vac Type: 12 Cu. Ft. Pro 12 DFS

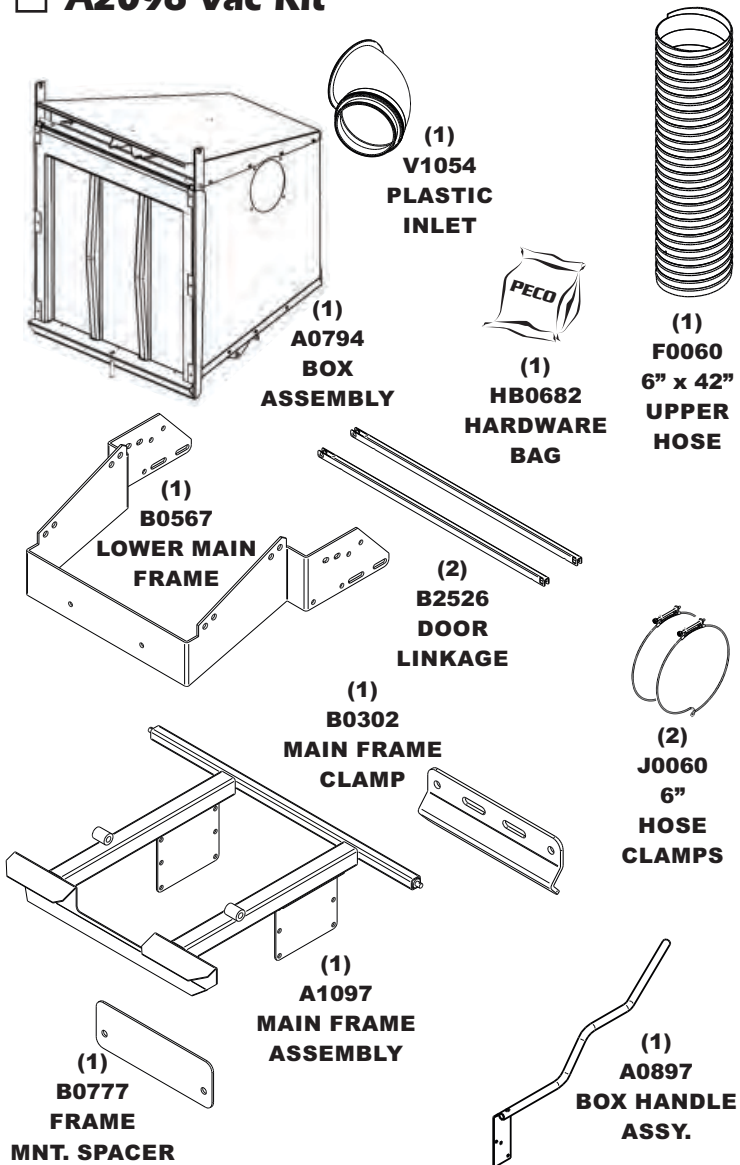
Deck Size: 60" & 66"

Drive Type: Briggs & Stratton 6.5HP Vanguard

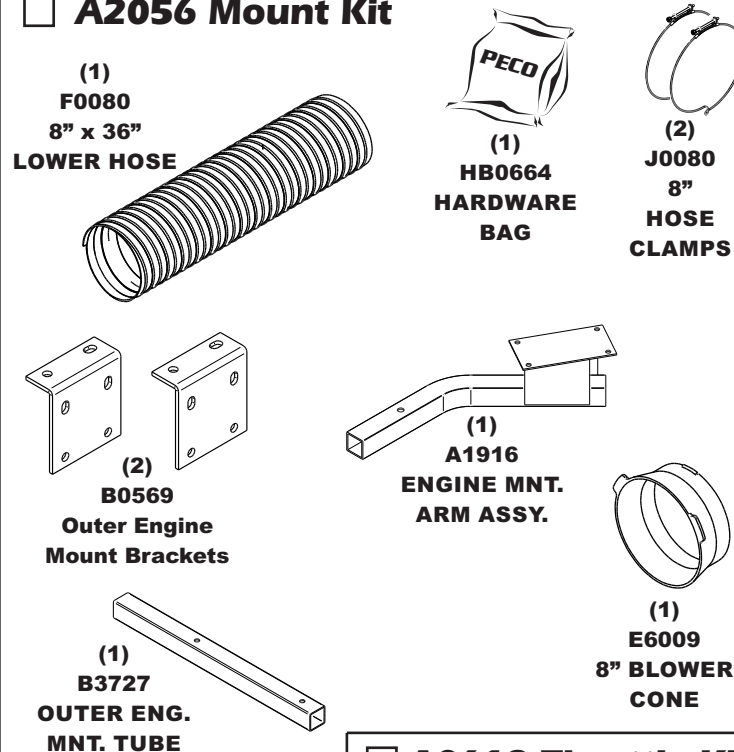
Revision #:

Fits Year(s): 2015-2017

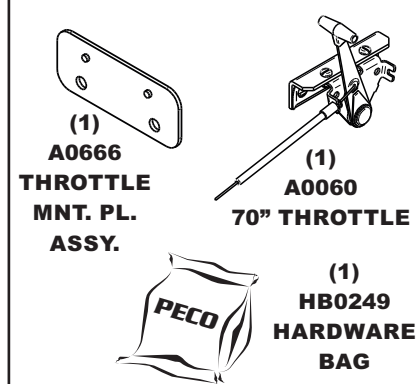
A2096 Vac Kit



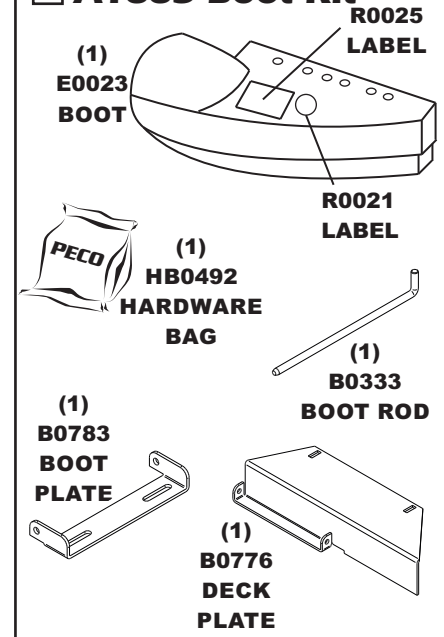
A2056 Mount Kit



A0619 Throttle Kit



A1883 Boot Kit



A1878 Weight Kit

