



Unit Model #: 38621244

Mower: Dixie Chopper

Owner's Manual: Q0505

Mower Type: Classic 2750KW, 2760KW, 3160HP
3160EFI

Engine Type: KW FX27, KW FX31 and KH EFI31

Deck Size: 50" & 60"

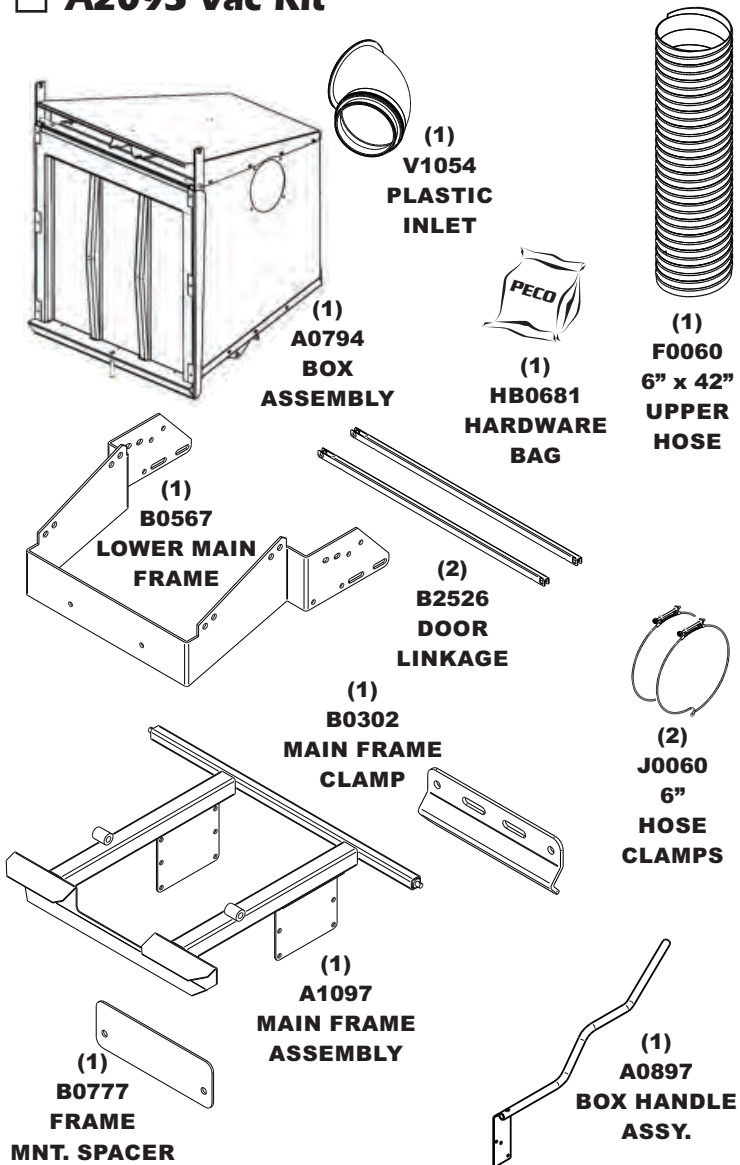
Vac Type: 12 Cu. Ft. Pro 12 DFS

Revision #:

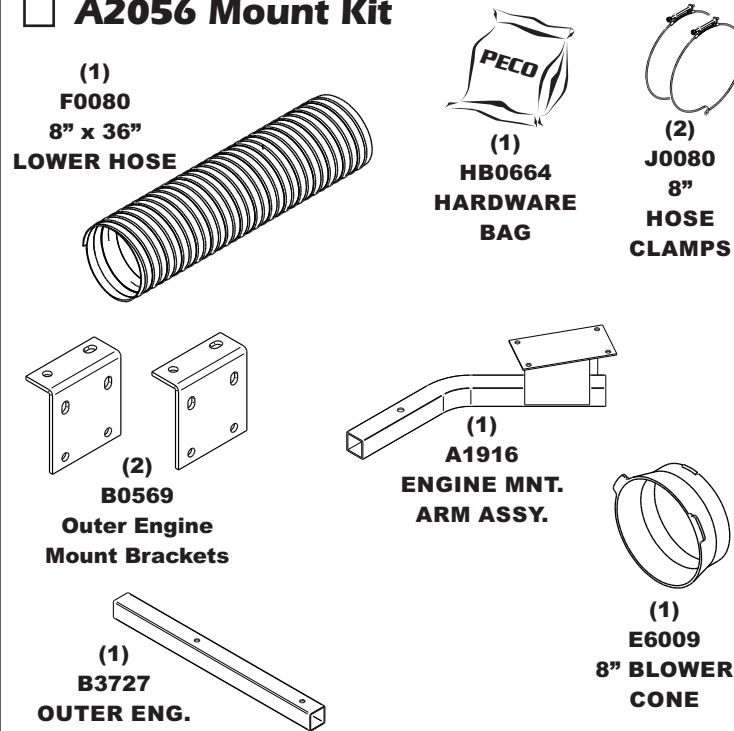
Drive Type: Briggs & Stratton 6.5HP Vanguard

Fits Year(s): 2015-2017

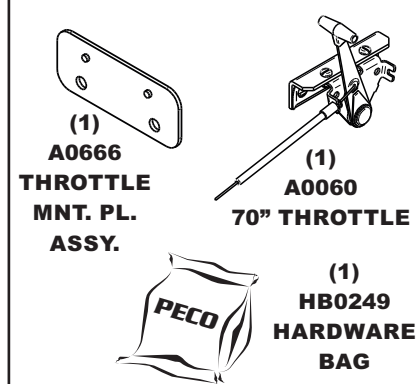
A2095 Vac Kit



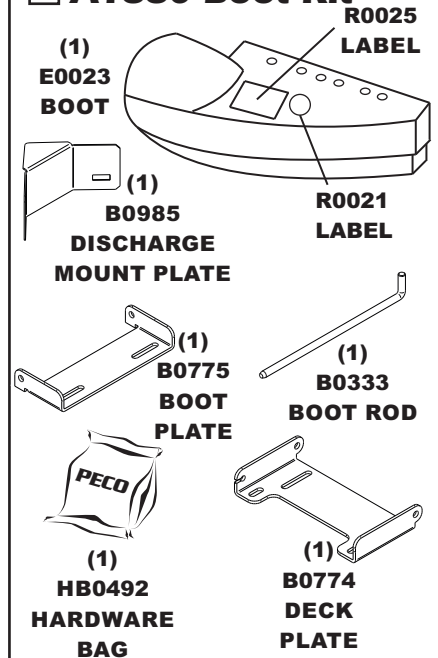
A2056 Mount Kit



A0619 Throttle Kit



A1880 Boot Kit



A2094 Weight Kit

