



Unit Model #: 38621243

Mower: Dixie Chopper

Owner's Manual: Q0509

Mower Type: Silver Eagle 2772KW, 2772EF1,

Engine Type: Fits All Engine Models

Deck Size: 72"

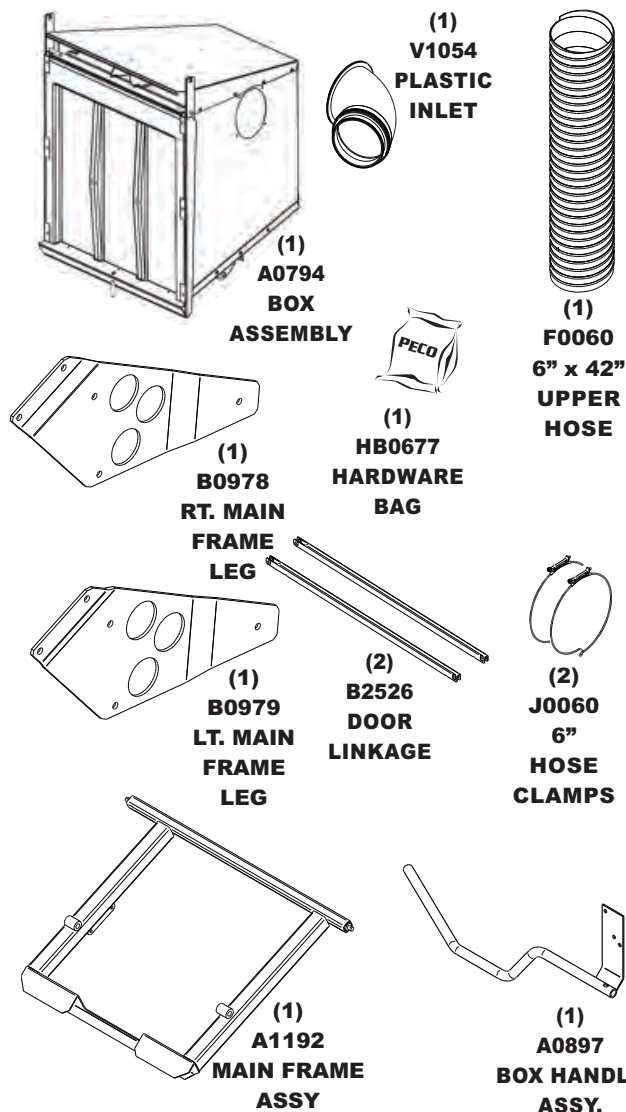
Vac Type: 12 Cu. Ft. Pro 12 DFS

Revision #: Initial Release 8/4/2016

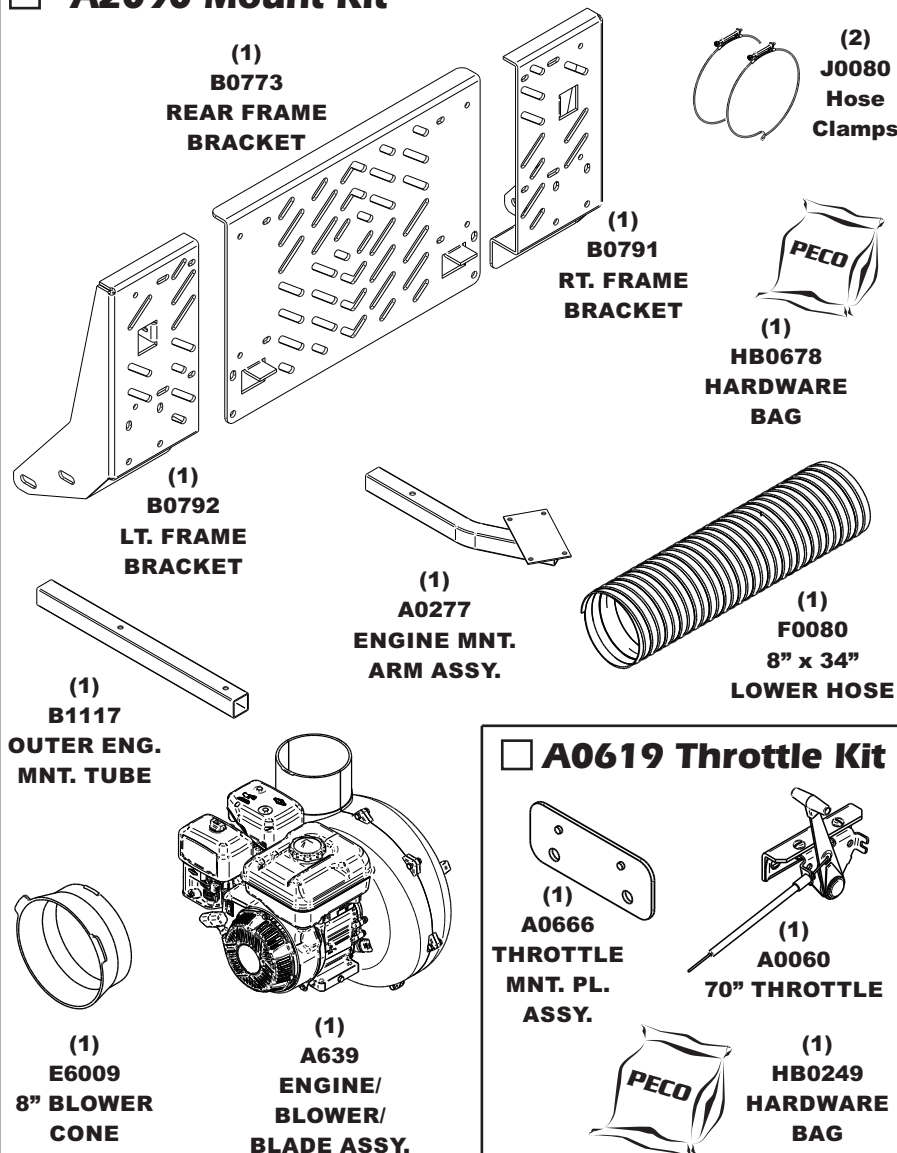
Drive Type: Briggs & Stratton 6.5HP Vanguard

Fits Year(s): 2015 - 2017

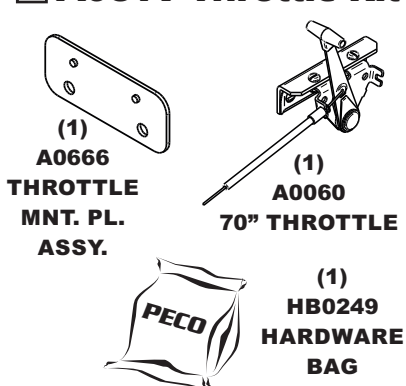
A2091 Vac Kit



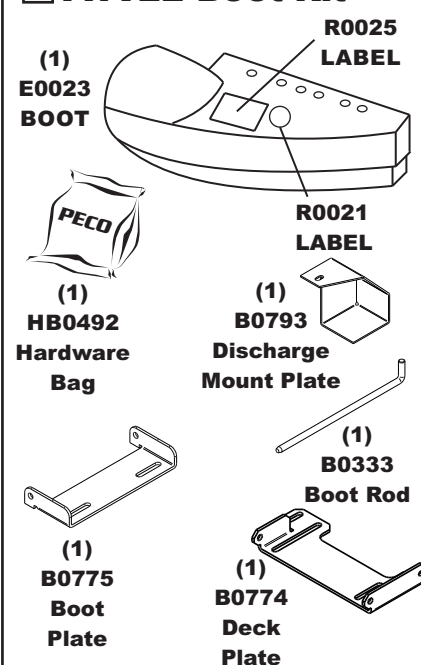
A2090 Mount Kit



A0619 Throttle Kit



A1922 Boot Kit



A1879 Weight Kit

