



Unit Model #: 38621242

Mower: Dixie Chopper

Owner's Manual: Q0509

Mower Type: Silver Eagle 2550KW, 2750EFI,
2760KW & 2760EFI

Engine Type: Fits All Engine Models

Deck Size: 50" & 60"

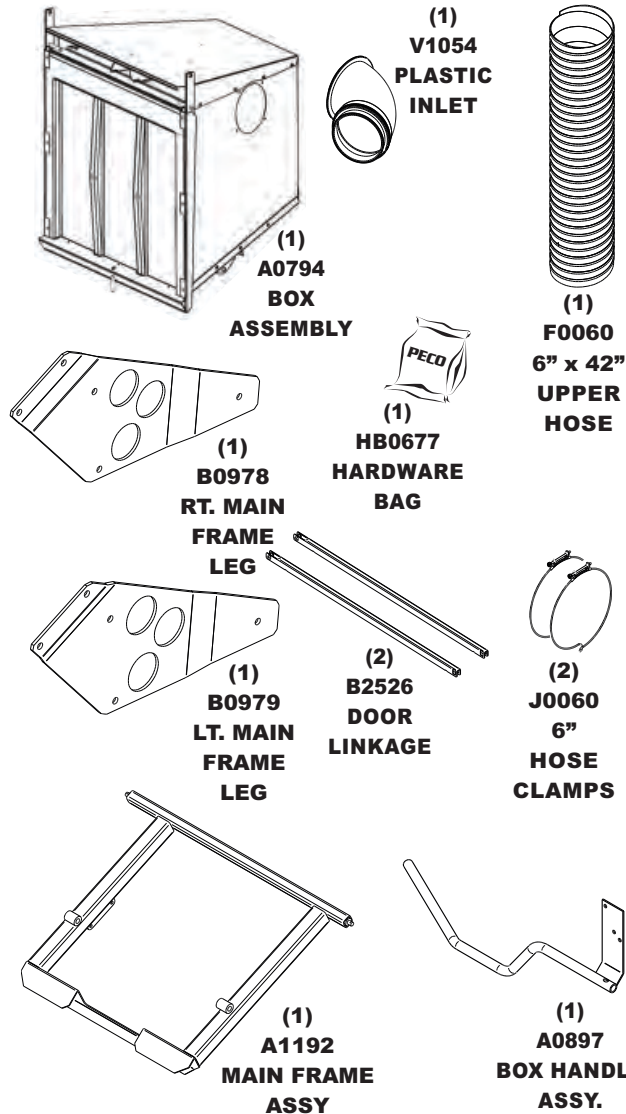
Vac Type: 12 Cu. Ft. Pro 12 DFS

Revision #: Initial Release 8/4/2016

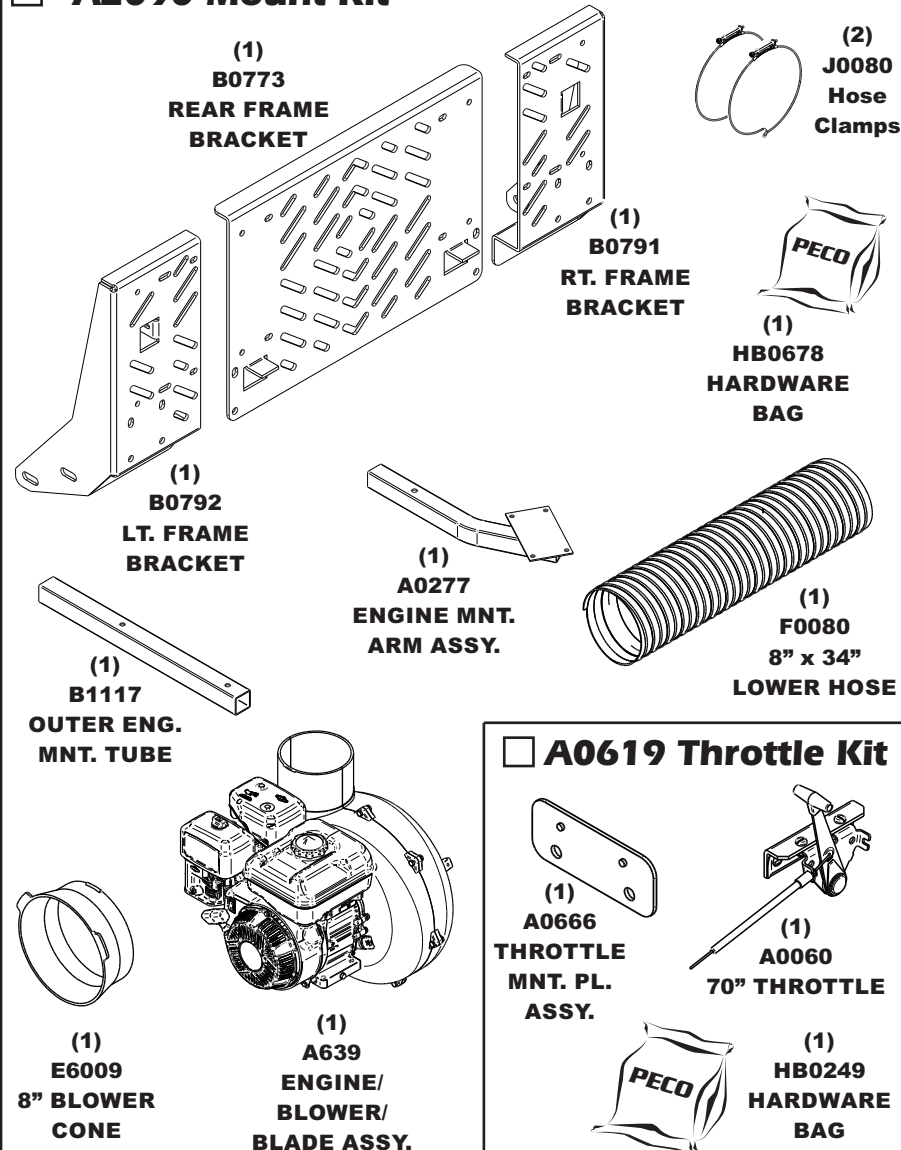
Drive Type: Briggs & Stratton 6.5HP Vanguard

Fits Year(s): 2015 - 2017

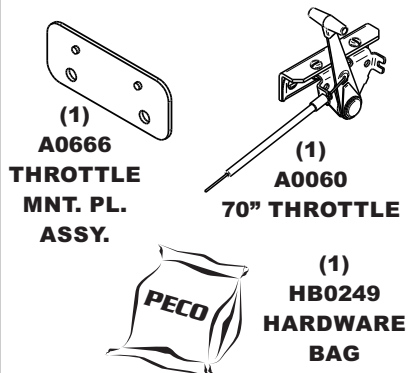
A2091 Vac Kit



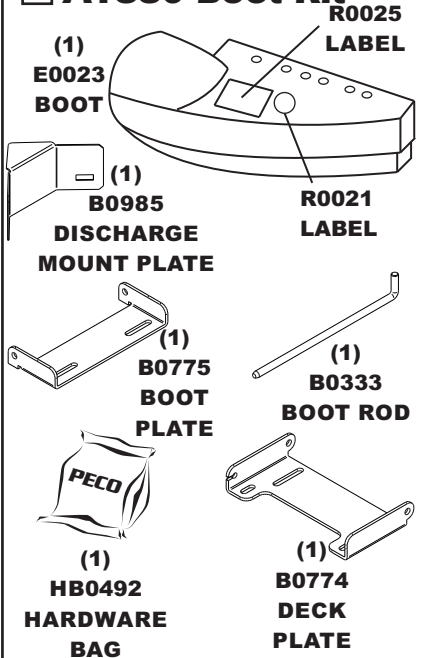
A2090 Mount Kit



A0619 Throttle Kit



A1880 Boot Kit



A1879 Weight Kit

