

# DIXIE CHOPPER<sup>®</sup>

# XT12

COLLECTION SYSTEM

**Unit Model #: 38621240**

**Mower:** Dixie Chopper

**Owner's Manual:** Q0464

**Mower Type:** Xcaliber 3374 & 4074

**Engine Type:** Generac 33HP Kohler 40HP

**Deck Size:** 74"

**Vac Type:** 12 Cu. Ft. Pro 12 DFS

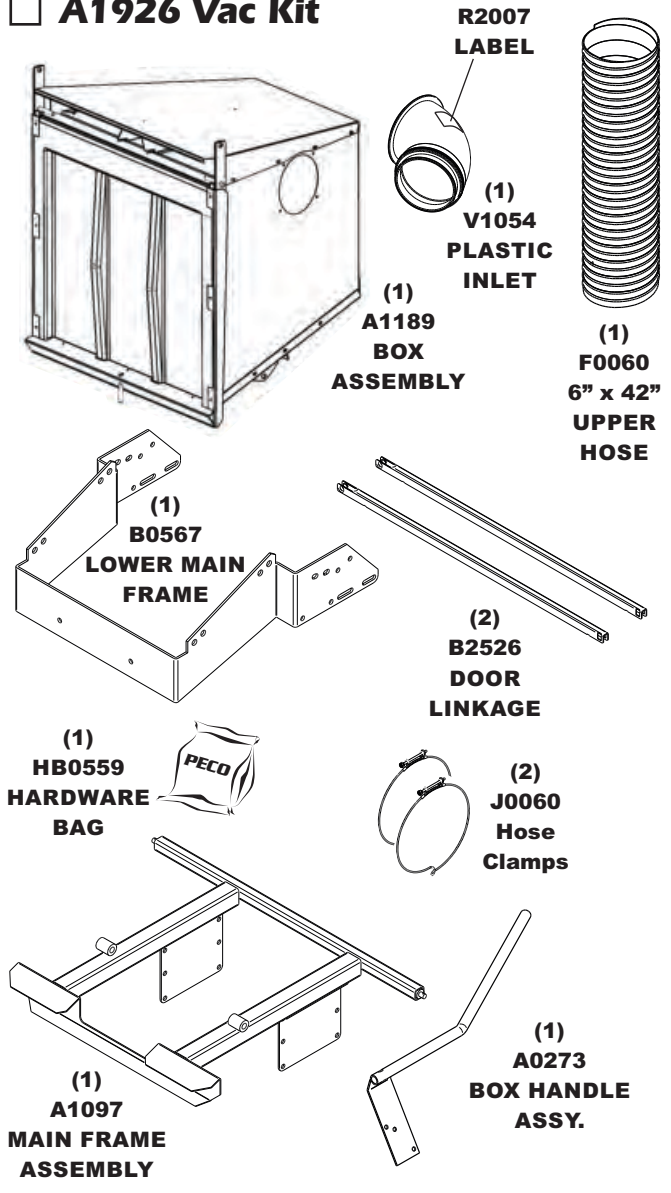
**Deck Type:**

**Drive Type:** Briggs & Stratton 6.5HP Vanguard

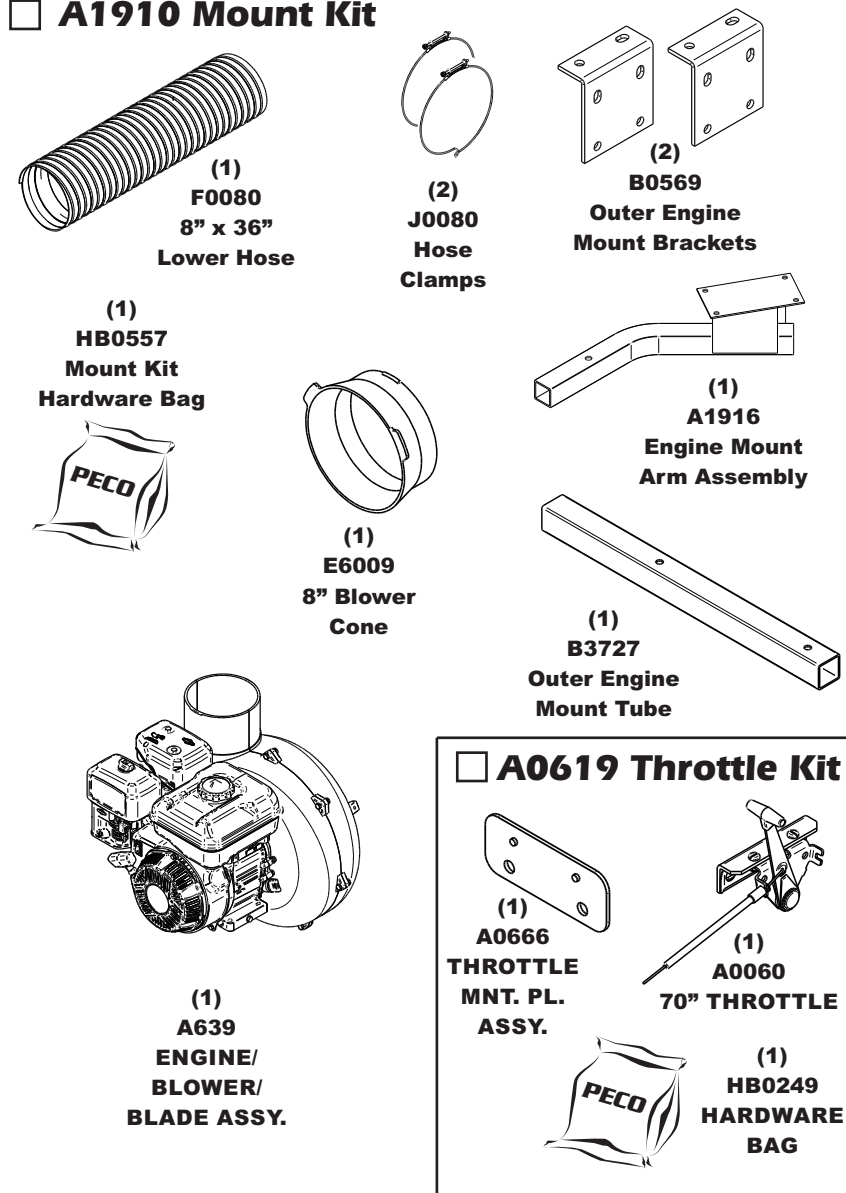
**Revision #:** Final Release 3/18/2013

**Fits Year(s):** 2011-2014

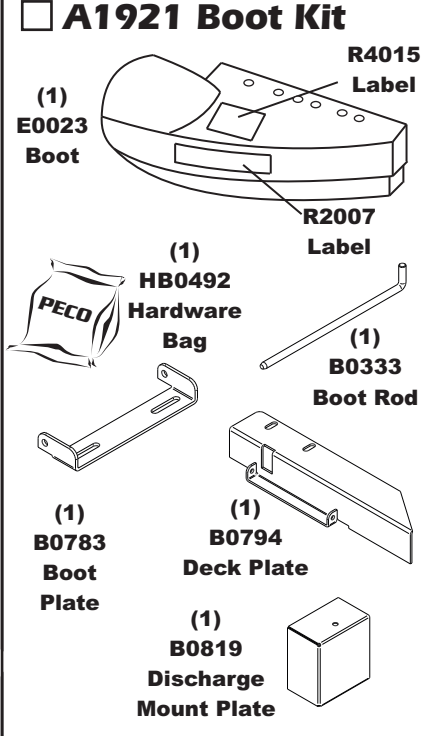
**A1926 Vac Kit**



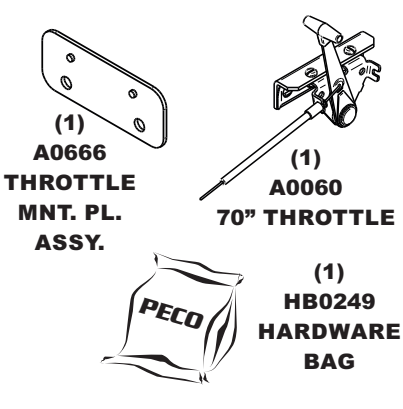
**A1910 Mount Kit**



**A1921 Boot Kit**



**A0619 Throttle Kit**



**A1879 Weight Kit**

